



# AMC7123/4

## FLASH LIGHT LED DRIVER

### DESCRIPTION

The AMC7123/4 is member of ADDM North Star White/Blue LED driver family. No external component is required. Especially good for use flashlight LED driver. The special circuit design provides over 90% efficiency in low noise. The AMC7123/4 is Integrated with 2 control pins for LEDs driving current control.

Target end applications are camera flash light LCD driver for mobile phone, smart phone, PDA, Digital Still Camera, etc.

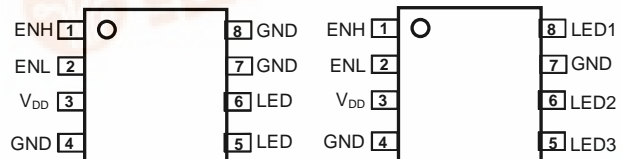
### FEATURES

- No external component required.
- Programmable output current control by ENL, ENH.
- 120mA LED driving capability.
- Output short / open circuit protection.
- 1 channel, 3 channels available in MSOP-8 package.
- High efficiency.
- Thermal Shutdown protection.
- Supply voltage range 2.7V ~ 6V
- 0.1uA Shut-Down current
- Advanced Bi-CMOS process.

### OPTIONS

Device Name	Maximum LED Drive Current	Minimum LED Drive Current	LED Channel
AMC7123DN	120mA	20mA	1
AMC7124DN	120mA	20mA	3

### PACKAGE PIN OUT



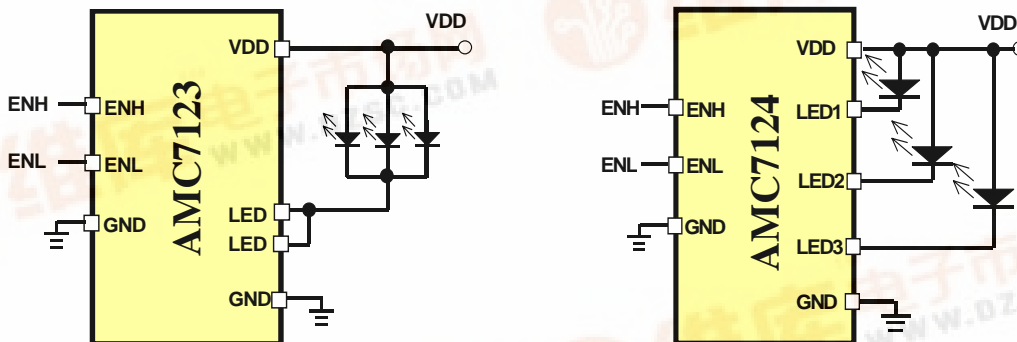
AMC7123DN

AMC7124DN

### APPLICATIONS

- Mobile Phone, Smart Phone Camera LED Flash Light.
- Digital Still Camera LED Flash Light.

### TYPICAL APPLICATION



### ORDER INFORMATION

T <sub>A</sub> (°C)	DN	Plastic MSOP-8	
		8-pin	
0 to 70	AMC7123DN	AMC7123DNF (Lead Free)	
	AMC7124DN	AMC7124DNF (Lead Free)	
Note : 1. All surface-mount packages are available in Tape & Reel. Append the letter "T" to part number (i.e. AMC7123/24). 2. The letter "F" is marked for Lead Free process.			



**ABSOLUTE MAXIMUM RATINGS** (Note)

Input Voltage, $V_{DD}$	-0.3V to 7V
Output Voltage, $V_{LEDn}$	-0.3V to 7V
Voltage at all other pins	-0.3V to 5.5V
Maximum Junction Temperature, $T_J$	150 °C
Storage Temperature Range	-40 °C to 150 °C
Lead Temperature (soldering, 10 seconds)	260 °C

## Note:

Exceeding these ratings could cause damage to the device. All voltages are with respect to Ground.  
 Currents are positive into, negative out of the specified terminal.

**POWER DISSIPATION TABLE**

Package	$\theta_{JA}$ (°C/W)	Derating factor (mW/°C) $T_A \geq 25^\circ\text{C}$	$T_A \leq 25^\circ\text{C}$ Power rating (mW)	$T_A = 70^\circ\text{C}$ Power rating (mW)	$T_A = 85^\circ\text{C}$ Power rating (mW)
DN	180	5.56	695	444	361
DNF	180	5.56	695	444	361

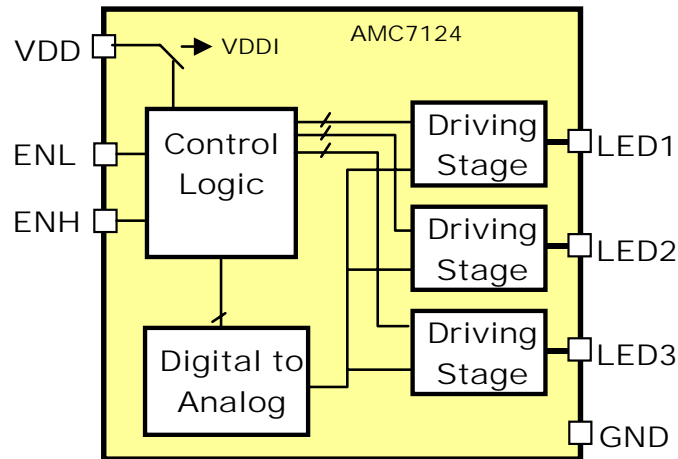
## Note:

Junction Temperature Calculation:  $T_J = T_A + (P_D \times \theta_{JA})$ .

$P_D$ : Power Dissipation,  $T_A$ : Ambient temperature,  $\theta_{JA}$ : Thermal Resistance-Junction to Ambient

The  $\theta_{JA}$  numbers are guidelines for the thermal performance of the device/PC-board system.

All of the above assume no ambient airflow.

**BLOCK DIAGRAM**

**PIN DESCRIPTION**

Pin Name	Pin Function															
LED, LED1~3	Output pins; connect to LED's cathode.															
ENL, ENH	<p>This pin combined enable and output sink current programming function.</p> <table border="1"> <thead> <tr> <th>ENH</th> <th>ENL</th> <th>LED, LED1, LED2, LED3</th> </tr> </thead> <tbody> <tr> <td>0</td> <td>0</td> <td>Shut-Down</td> </tr> <tr> <td>0</td> <td>1</td> <td><math>1/6 \times I_{max}</math></td> </tr> <tr> <td>1</td> <td>0</td> <td><math>1/2 \times I_{max}</math></td> </tr> <tr> <td>1</td> <td>1</td> <td><math>I_{max}</math></td> </tr> </tbody> </table>	ENH	ENL	LED, LED1, LED2, LED3	0	0	Shut-Down	0	1	$1/6 \times I_{max}$	1	0	$1/2 \times I_{max}$	1	1	$I_{max}$
ENH	ENL	LED, LED1, LED2, LED3														
0	0	Shut-Down														
0	1	$1/6 \times I_{max}$														
1	0	$1/2 \times I_{max}$														
1	1	$I_{max}$														
V <sub>DD</sub>	Power supply.															
GND	Ground															

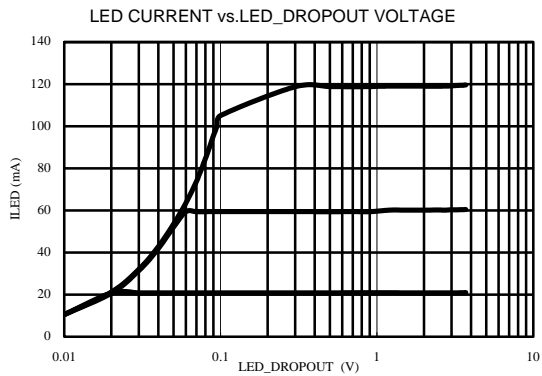
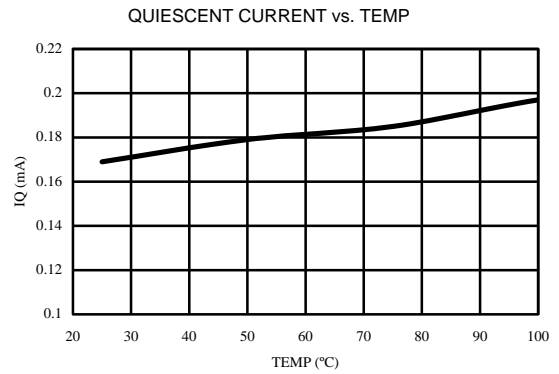
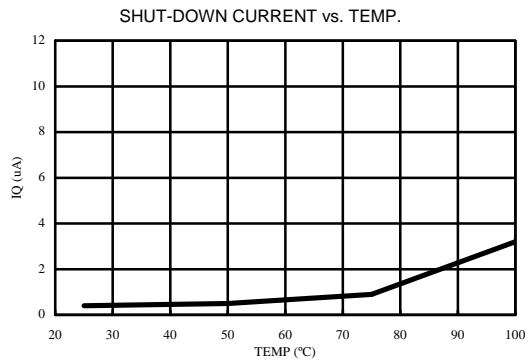
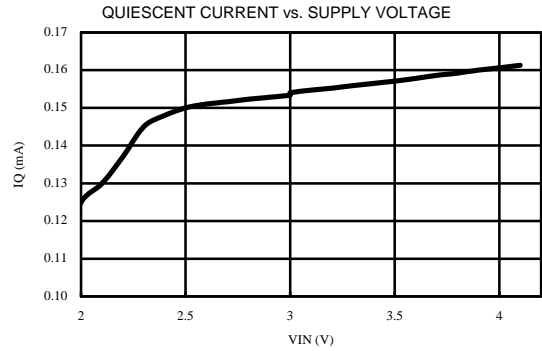
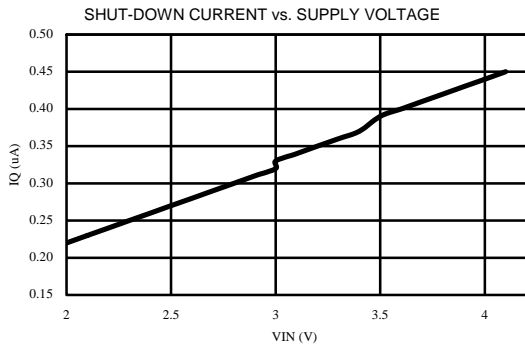
**RECOMMENDED OPERATING CONDITIONS**

Parameter	Symbol	Min	Typ	Max	Unit
Supply Voltage	$V_{DD}$	2.7		6	V
Output Sink current	$I_{LED}$			130	mA
Operating free-air temperature range	$T_a$	-40		+85	°C

**ELECTRICAL CHARACTERISTICS**
 $V_{DD}=3.7V$ ,  $T_a=25^{\circ}C$ , No Load, Input:  $V_{IH}=3.3V$ ,  $V_{IL}=GND$ . (Unless otherwise noted)

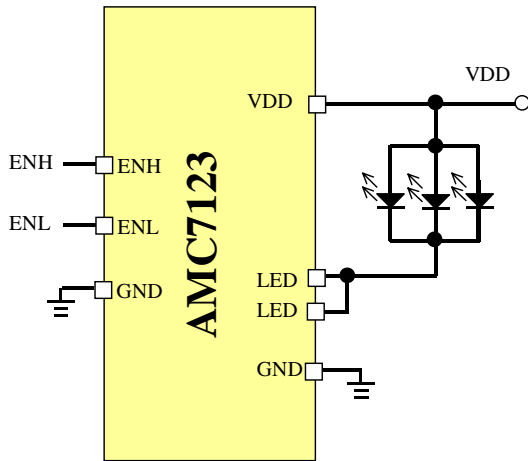
Parameter	Symbol	Condition	Min	Typ	Max	Unit	Apply Pin
“Low” Input Voltage	$V_{IL}$				0.8	V	ENL, ENH
“High” Input Voltage	$V_{IH}$		2			V	
“Low” Input Current	$I_{IL}$		-5.0		+5.0	$\mu A$	
“High” Input Current	$I_{IH}$		-5.0		+5.0	$\mu A$	
LED Maximum Sink Current	$I_{max}$	ENH=ENL=“1”, All outputs	114	120	126	mA	LEDn
LED Half Sink Current	$I_{half}$	ENH=“1”, ENL=“0”	$45\% * I_{max}$		$55\% * I_{max}$	mA	
LED Low sink current	$I_{min}$	ENH=“0”, ENL=“1”	$9\% * I_{max}$		$25\% * I_{max}$	mA	
LED Dropout Voltage	$V_{LEDL}$	$I_{LEDn} = 120mA$ , Note 1		120		mV	
Supply Current Consumption	$I_{DD}$			200		$\mu A$	$V_{DD}$
Shut-Down Current	$I_{DSD}$			0.1		$\mu A$	

 Note 1: LED dropout voltage:  $90\% * I_{LEDn} @ V_{LEDL}=200mV$

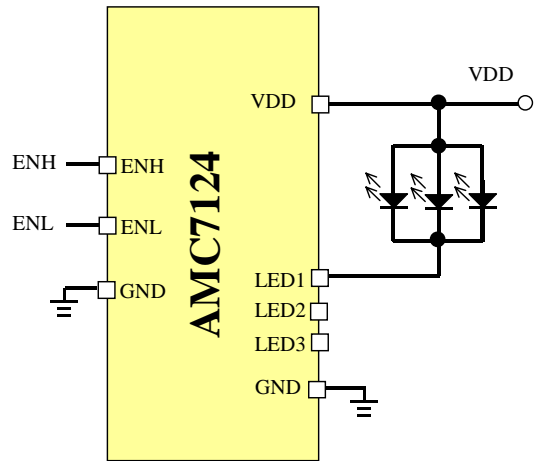
**CHARACTERIZATION CURVES**


## APPLICATION INFORMATION

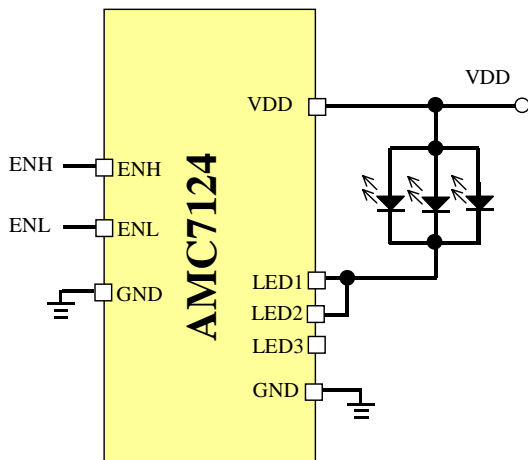
ENH	ENL	Typical Flashlight Current
0	0	Shut-Down
0	1	20mA
1	0	60mA
1	1	120mA



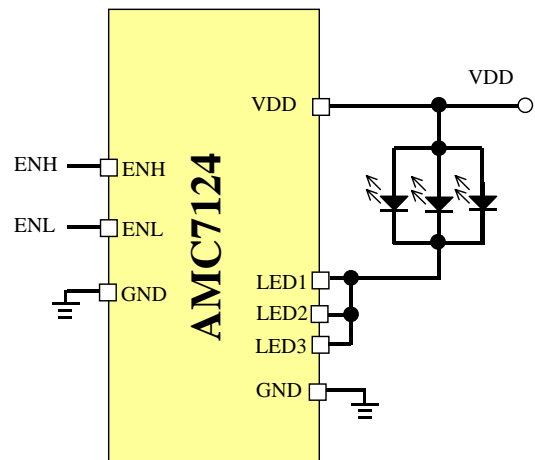
ENH	ENL	Typical Flashlight Current
0	0	Shut-Down
0	1	20mA
1	0	60mA
1	1	120mA

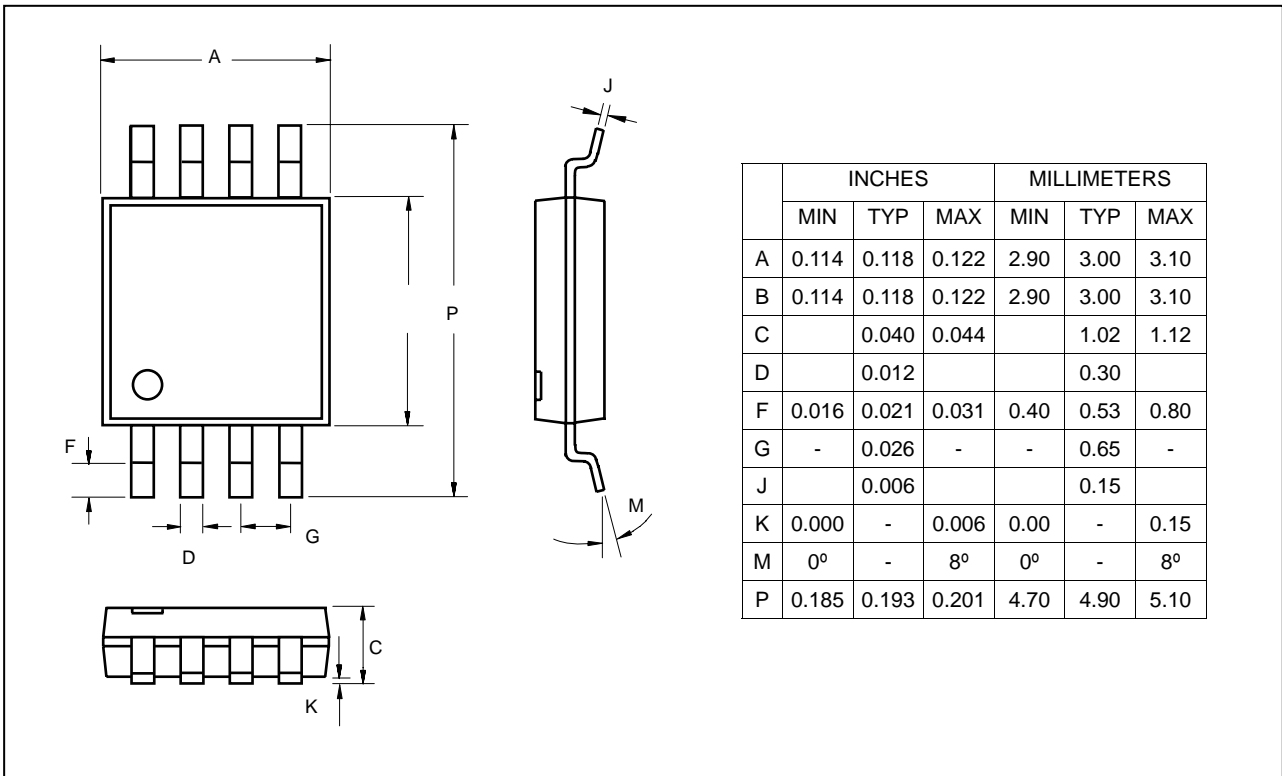


ENH	ENL	Typical Flashlight Current
0	0	Shut-Down
0	1	40mA
1	0	120mA
1	1	240mA



ENH	ENL	Typical Flashlight Current
0	0	Shut-Down
0	1	60mA
1	0	180mA
1	1	360mA



**PACKAGE**
**8-Pin Plastic MSOP (DN)**


**IMPORTANT NOTICE**

ADDtek reserves the right to make changes to its products or to discontinue any integrated circuit product or service without notice, and advises its customers to obtain the latest version of relevant information to verify, before placing orders, that the information being relied on is current.

A few applications using integrated circuit products may involve potential risks of death, personal injury, or severe property or environmental damage. ADDtek integrated circuit products are not designed, intended, authorized, or warranted to be suitable for use in life-support applications, devices or systems or other critical applications. Use of ADDtek products in such applications is understood to be fully at the risk of the customer. In order to minimize risks associated with the customer's applications, the customer should provide adequate design and operating safeguards.

ADDtek assumes no liability to customer product design or application support. ADDtek warrants the performance of its products to the specifications applicable at the time of sale.

---

**ADDtek Corp.**

9F, No. 20, Sec. 3, Bade Rd., Taipei, Taiwan, 105

TEL: 2-25700299

FAX: 2-25700196

---