

Series AO, ASO

1.0-2.0 Amp • 120/240 Vac • AC Output MINI-SIP

- Compact for High Density PCB Mount
- DC Control, AC Output
- Triac (AO) or SCR (ASO) Output
- Crydom's Patented Design
- UL, CSA Approved

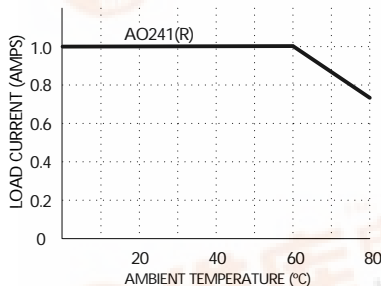
AO models offer Triac output, ASO models are SCR output. The AO241(R) are rated up to 1.0A, the ASO241(R) up to 1.5A SPST-NO, and the ASO242(R) up to 2.0A. ASO models are designed for switching highly inductive, low current loads such as solenoids. Available in either zero voltage or random switching (R) versions.

Manufactured in Crydom's ISO 9001 Certified facility for optimum product performance and reliability.

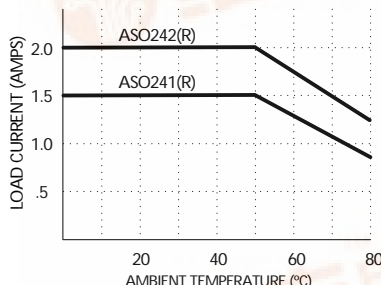
CRYDOM

Control over power

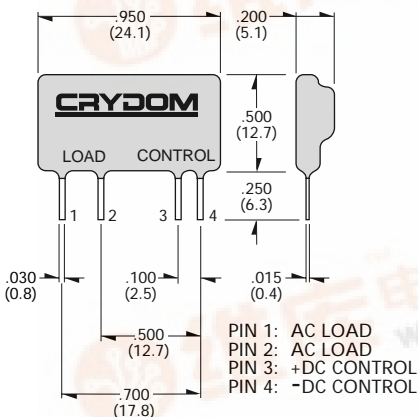
CURRENT DERATING CURVES



AO Max. Load Current vs. Temp.



ASO Max. Load Current vs. Temp.



MODEL NO.	AO241	AO241R	ASO241	ASO241R	ASO242	ASO242R
-----------	-------	--------	--------	---------	--------	---------

INPUT SPECIFICATIONS ①

Control Voltage Range	4-10 Vdc		4-10 Vdc		4-10 Vdc	
Nominal Input Impedance	300 Ohm		300 Ohm		300 Ohm	
Typical Input Current @ 5 Vdc	15 mAdc		15 mAdc		15 mAdc	
Must Turn On Voltage	4.0 Vdc		4.0 Vdc		4.0 Vdc	
Must Turn Off Voltage	1.0 Vdc		1.0 Vdc		1.0 Vdc	

OUTPUT SPECIFICATIONS ①

Operating Voltage Range (47-63 Hz)	24-280 Vrms		12-280 Vrms		12-280 Vrms	
Load Current Range	.025-1.0 Arms		.025-1.5 Arms		.06-2.0 Arms	
Transient Over-Voltage	600 Vpk		600 Vpk		600 Vpk	
Max. Surge Current, (16.6ms)	40 Apk		40 Apk		120 Apk	
Min. Off-State dv/dt @ Max. Rated Voltage ③	500 V/μsec		500 V/μsec		500 V/μsec	
Max. Off-State Leakage @ Rated Voltage	0.1 mArms		0.1 mArms		0.1 mArms	
Max. On-State Voltage Drop @ Rated Current	1.5 Vpk		1.5 Vpk		1.5 Vpk	
Max. Turn-On Time	1/2 cycle	0.1 msec	1/2 cycle	0.1 msec	1/2 cycle	0.1 msec
Max. Turn-Off Time	1/2 cycle		1/2 cycle		1/2 cycle	
Power Factor (Min.) With Max. Load	0.5		0.5		0.5	

GENERAL SPECIFICATIONS

Dielectric Strength ②	2500 Vrms
Insulation Resistance (Min.) @ 500 Vdc ②	10 ⁹ Ohm
Max. Capacitance	8.0 pF
Ambient Operating Temperature Range	-30 to 80°C
Ambient Storage Temperature Range	-30 to 125°C

MECHANICAL SPECIFICATIONS

Weight: (typical)	0.15 oz. (4.3 g)
Encapsulation:	Thermally Conductive Epoxy

GENERAL NOTES

©2002 CRYDOM CORP, Specifications subject to change without notice.

- ① All parameters at 25°C unless otherwise specified.
- ② Dielectric and insulation resistance are measured between input and output.
- ③ Off-State dv/dt test method per EIA/NARM standard RS-443.

APPROVALS

UL E116950
CSA LR81689

For recommended applications and more information contact:

USA: Sales Support (877) 502-5500 Tech Support (877) 702-7700 FAX (619) 710-8540
Crydom Corp, 2320 Paseo de las Americas, Ste. 201, San Diego, CA 92154

Email: sales@crydom.com WEB SITE: http://www.crydom.com

UK: +44 (0)1202 365070 • FAX +44 (0)1202 365090 Crydom International Ltd., 7 Cobham Road, Ferndown Industrial Estate, Ferndown, Dorset BH21 7PE, Email: intsales@crydom.com.
GERMANY: +49 (0)180 3000 506

