



Quad AFE for Smartphone Application

APC77135E

FEATURES

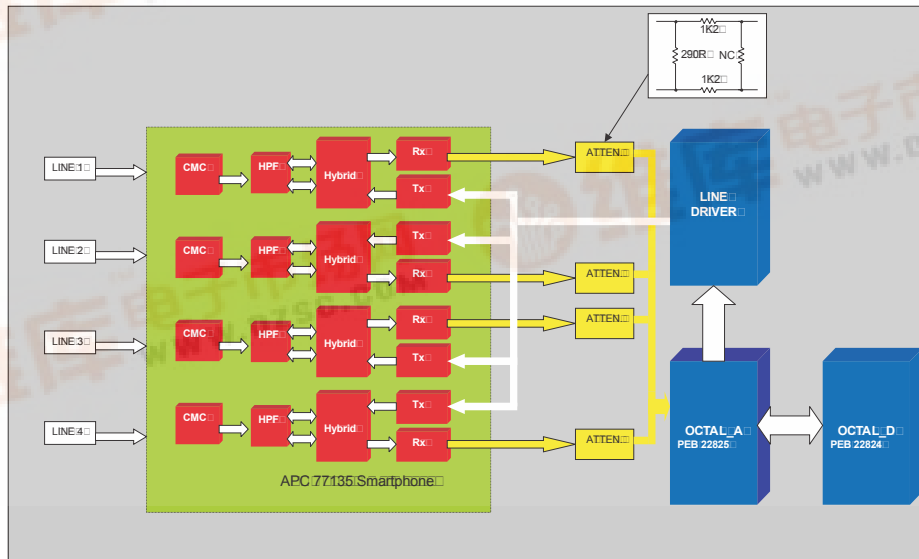
- Designed for Infineon's PEB22824 and PEB22825 octal 10Base-S, 8 port chipsets

ELECTRICAL SPECIFICATIONS@25°C OPERATING TEMPERATURE -40°C TO +85°C

Description	Passband Frequency	Impedance Ω
HPF	900kHz to 8MHz	120
TX BPF	900kHz to 8MHz	40
RX BPF	4MHz to 8MHz	270

- NOTES:
- Transhybrid loss >15dB min
 - Incorporates xDSL choke >35dB min, provides 1500 Vrms isolation voltage
 - Miniature footprint for increased line card density
 - Provides isolation of SELV and TNV3 circuits in accordance with IEC 60950, EN60950, UL 60950, ACA TS001 and AS/NZS 60950 at working voltage of 120Vrms
 - For compliance in accordance with clause 6.4 of UL 60950, devices for protection in the event of power line crosses must be provided by the end installation, limiting current energy to 100A2-s (max) and current to 1.3A (max)
 - End system compliance to IEC 60950, EN 60950, UL 60950, ACA TS001 and AS/NZS 60950 is the responsibility of the installer

BLOCK DIAGRAM



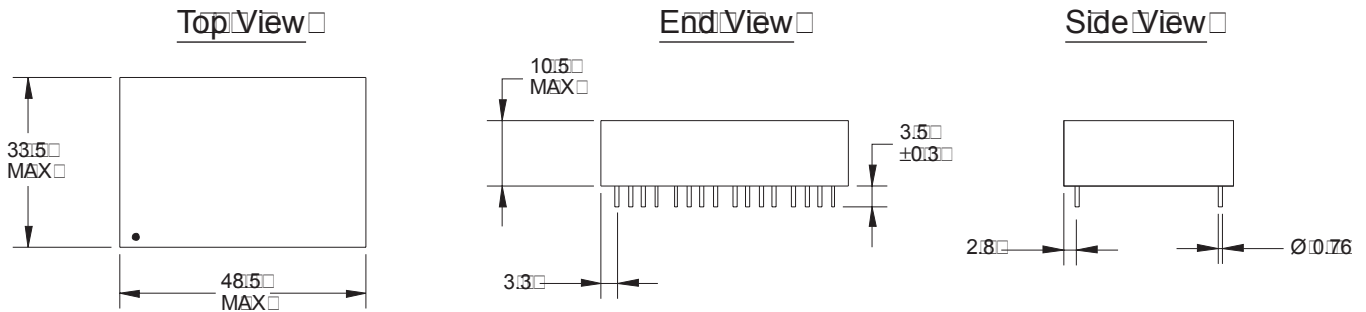


Quad AFE for Smartphone Application

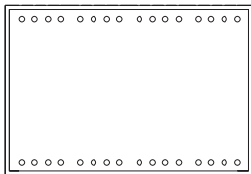
APC77135E

MECHANICAL

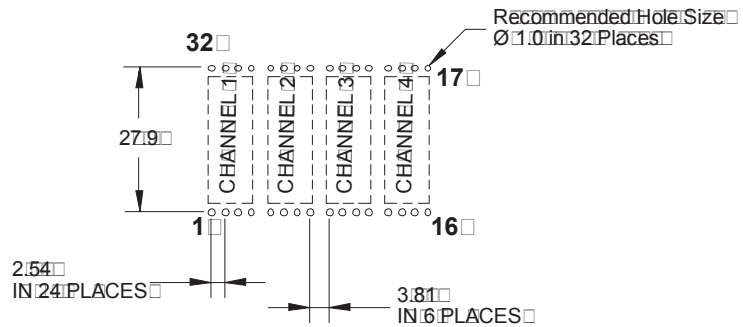
APC77135E



Bottom View



Recommended P.C.B Pad Layout



Signal Name	Channel 1	Channel 2	Channel 3	Channel 4
Line +	Pin 2	Pin 6	Pin 10	Pin 14
Line -	Pin 3	Pin 7	Pin 11	Pin 15
TX+	Pin 29	Pin 27	Pin 21	Pin 19
TX-	Pin 30	Pin 28	Pin 22	Pin 20
RX+	Pin 31	Pin 25	Pin 23	Pin 17
RX-	Pin 32	Pin 26	Pin 24	Pin 18
N/C	Pins 1 & 4	Pins 5 & 8	Pins 9 & 12	Pins 13 & 16

CORPORATE

Bel Fuse Inc.
206 Van Vorst Street
Jersey City, NJ 07302
Tel 201-432-0463
Fax 201-432-9542
www.belfuse.com

FAR EAST

Bel Fuse Ltd.
8F / 8 Luk Hop Street
San Po Kong
Kowloon, Hong Kong
Tel 852-2328-5515
Fax 852-2352-3706
www.belfuse.com

EUROPE

Bel Stewart Connector
45/46 Riverside
Medway City Estate
Rochester, Kent ME2 4DP U.K.
Tel 44-1634-722890
Fax 44-1634-716677
www.belfuse.com