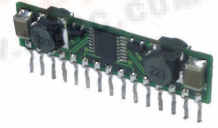




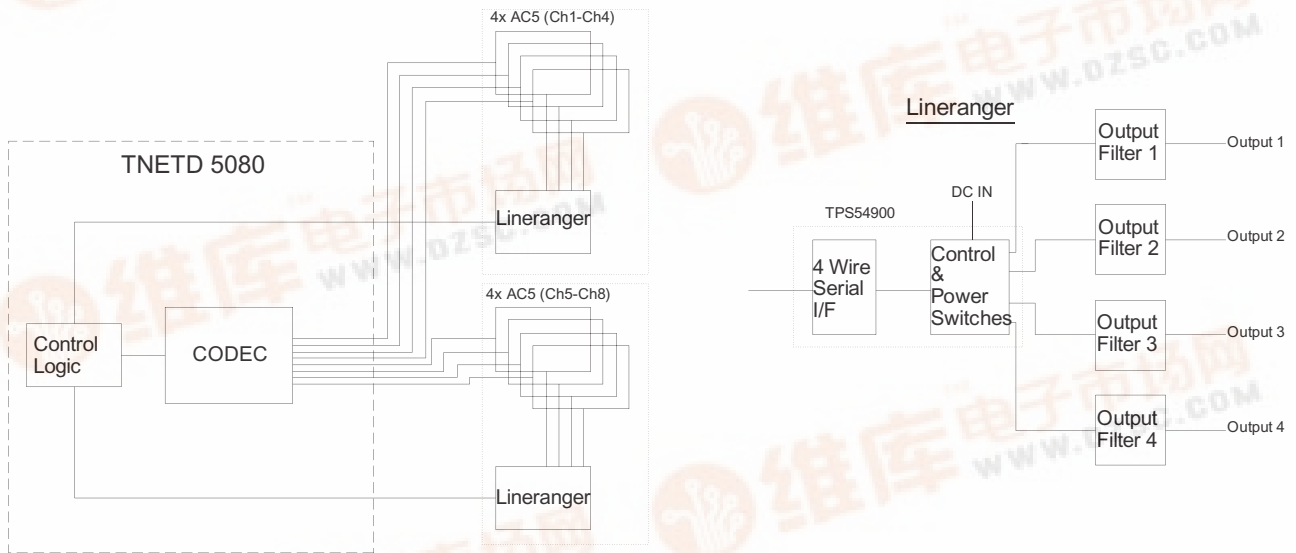
**Quad Power Supply Controller for AC5  
Single in-line package (SIP)  
APC78156**

**FEATURES**

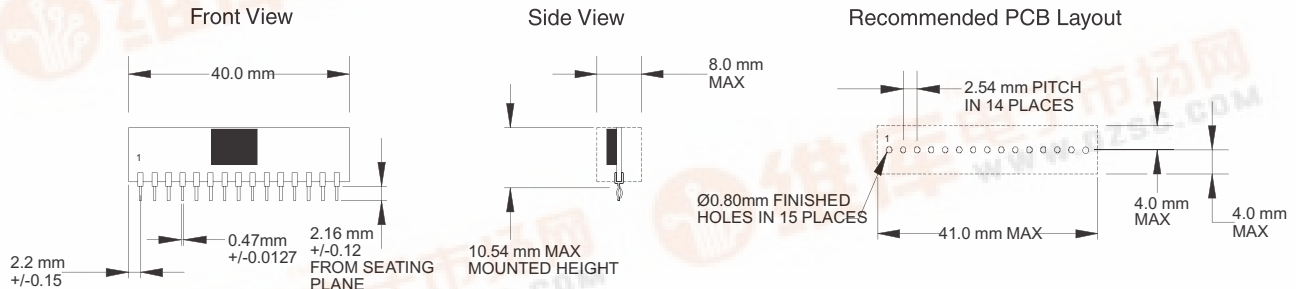
- Allows precise control over Line Driver supply voltage
- Maximizes efficiency of AC5 based ADSL CO Solutions over all line lengths
- SIP construction minimizes footprint required in high density Line Card designs



**BLOCK DIAGRAM**



**MECHANICAL**



NOTES: ALL TOLERANCES ARE +/- 0.010  
0.25

Pin No.	Signal	Pin No.	Signal
1	GND	9	INPUT 15V
2	OUTPUT 1	10	ID
3	OUTPUT 2	11	SCLK
4	SFS	12	SDO
5	SDI	13	OUTPUT 3
6	ENABLE	14	OUTPUT 4
7	(N/C)	15	GND
8	GND		

