



APC78172 ANNEX B
APC78172DT ANNEX B. DT (DEUTSCHE TELEKOM)
APC78172

FEATURES

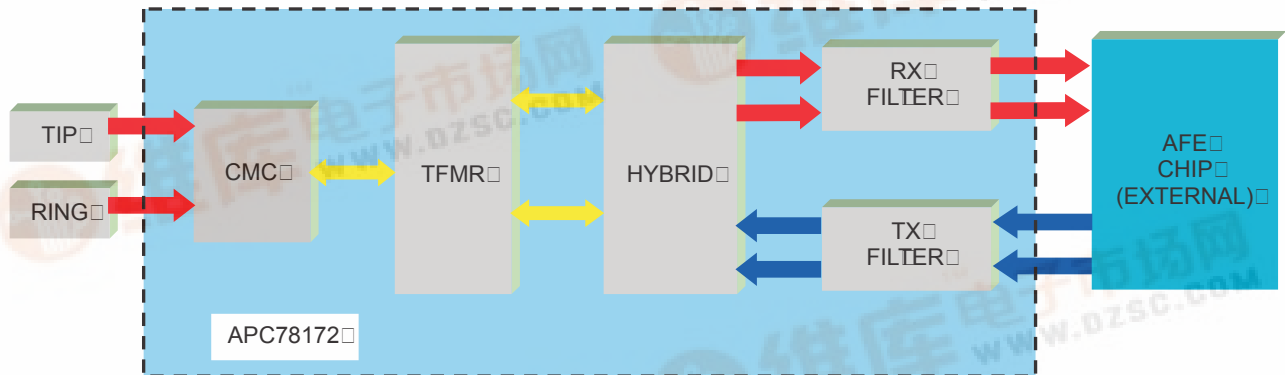
- APC78172 is designed to interface with Alcatel's MTC20156 ADSL/ISDN transceiver chipset to optimize the customer premises equipment (CPE) designs. The hybrid contains components required between the analog front end chip and the Telco connector, including the line interface transformer, common mode choke, line protection circuitry and transmit and receive filters.
- Excludes line driver and input capacitors (see note 2)
- Pin compatible with Annex A module APC78106
- 1500V line isolation transformer
- Complies with EN60950-1:2001 (Supplementary Isolation)

ELECTRICAL SPECIFICATIONS

Description	Passband Frequency	Stopband Frequency	Insertion Loss dB max	Return Loss dB min	Attenuation dB min
Rx Filter HPF	280 kHz to 1 MHz	0 to 276 kHz	-10	-15	-40
Tx Filter BPF	130 kHz to 276 kHz	0 to 125kHz	16	-15	-40

* Trans Hybrid loss through TX/RX ≥ 20dB

BLOCK DIAGRAM

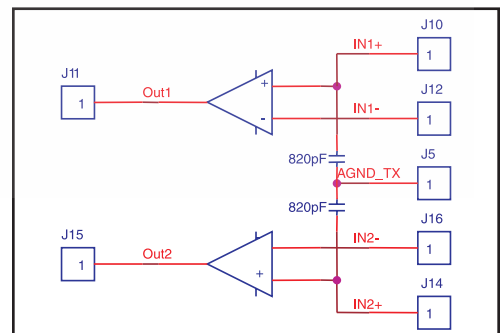


NOTES: ALL TRACES BETWEEN APC PINS 10 AND 14 AND ELANTEC LINE DRIVER PINS 3 AND 5 RESPECTIVELY MUST BE KEPT SYMMETRICAL, PARALLEL AND EQUIDISTANT.
 APP DIAGRAM SHOWS LOCATION OF 2 X 820pF CAPACITORS TO BE ADDED EXTERNALLY.

PINS 1-2 = TNV; PINS 3-16 = SELV

Pin No.	Description	Pin No.	Description	Pin No.	Description
1	Tip	7	GND	13	N/C
2	Ring	8	RXP	14	8016 Pin 21/ EL1510C pin 5
3	TXN	9	RXN	15	8016 Pin 23/ EL1510C pin 7
4	TXP	10	8016 Pin 4/ EL1510C pin 3	16	8016 Pin 22/ EL1510C pin 6
5	A_GND_TX	11	8016 Pin 2/ EL1510C pin 1	17	N/C
6	N/C	12	8016 Pin 3/ EL1510C pin 2	18	N/C

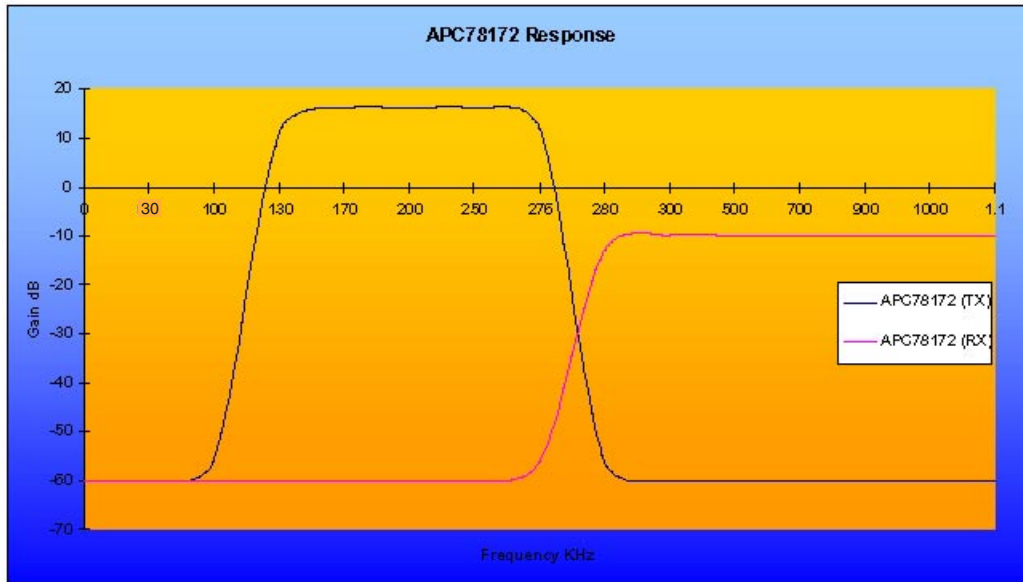
APC78172 APPLICATION DIAGRAM



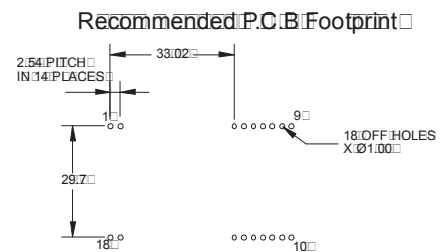
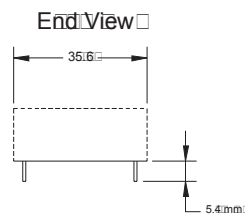
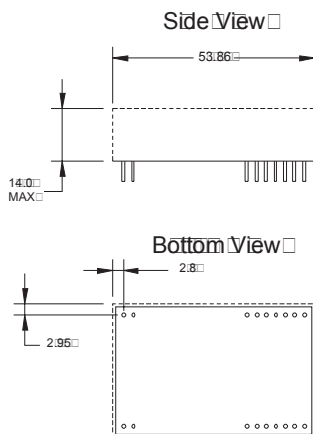


APC78172 ANNEX B
APC78172DT ANNEX B. DT (DEUTSCHE TELEKOM)
APC78172

FREQUENCY RESPONSE



MECHANICAL



©2003 Bel Fuse Inc. Specifications subject to change without notice. 12.10.03

CORPORATE

Bel Fuse Inc.
 206 Van Vorst Street
 Jersey City, NJ 07302
 Tel 201-432-0463
 Fax 201-432-9542
 www.belfuse.com

FAR EAST

Bel Fuse Ltd.
 8F / 8 Luk Hop Street
 San Po Kong
 Kowloon, Hong Kong
 Tel 852-2328-5515
 Fax 852-2352-3706
 www.belfuse.com

EUROPE

Bel Stewart Connector
 45/46 Riverside
 Medway City Estate
 Rochester, Kent ME2 4DP U.K.
 Tel 44-1634-722890
 Fax 44-1634-716677
 www.belfuse.com