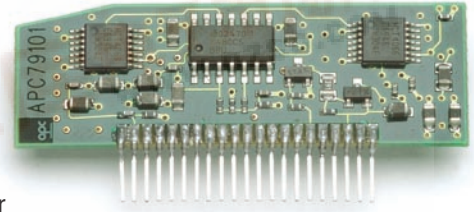


bel

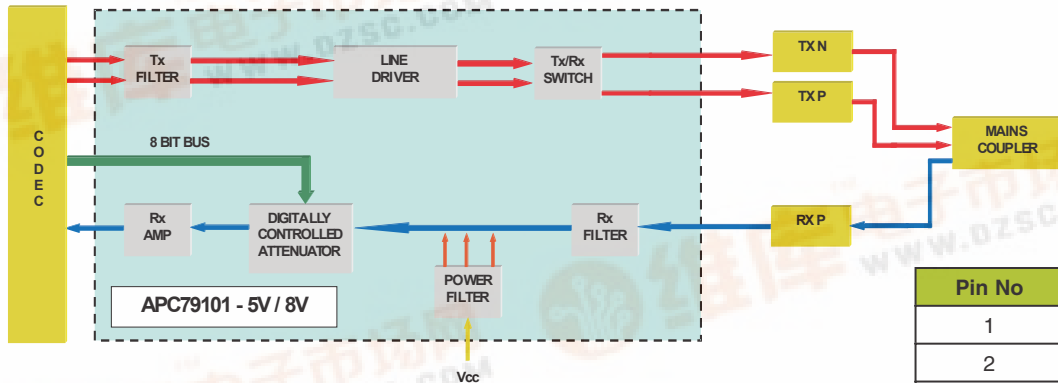
**Power Packet Power Line Communications AFE Hybrid**  
**APC79101-5V (High Efficiency)**  
**APC79101-8V (High Output)**



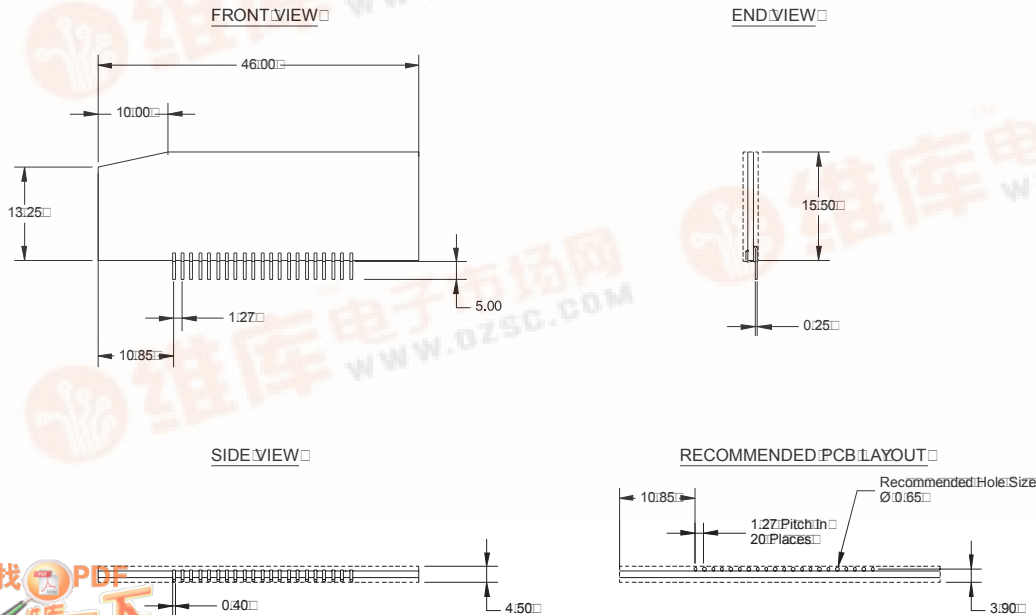
**FEATURES**

- Contains all discrete components required between AFE IC and Mains coupler
- Optimized for use with Intellon PowerPacket INT51X1 and INT5130/INT1000 chipsets
- Two variants allow optimal design for both Wallplug and Desktop applications
- Receiver gain from 0 to 48 dB controllable directly from INT51X1 or INT1000 in 8 dB steps
- Single supply rail operation
- High density design yields minimum footprint

**BLOCK DIAGRAM**



**MECHANICAL**



Pin No	Signal
1	GND
2	DAC OUT N
3	DAC OUT P
4	GND
5	RX OUT
6	GND
7	Vcc
8	AGC 0
9	AGC 1
10	AGC 2
11	AGC 3
12	AGC 4
13	AGC 5
14	AGC 6
15	AGC 7
16	TX EN
17	GND
18	TXP
19	TXN
20	GND (RXN)
21	RXP

