

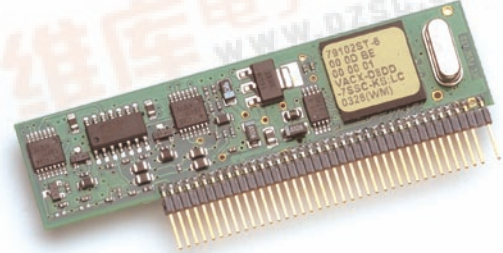


POWERLINE MODULES

SIMPLE™ Embedded PowerPacket™ Modules

FEATURES

- First all-in-one HomePlug™ 1.0 embedded modules based on Intellon's advanced INT51X1 single-chip powerline solution
- Integrates all components necessary to add HomePlug functionality to any embedded system at industry's lowest cost
- Compact vertical or right-angle mounting configuration using Intellon's SIMPLE PowerBus™ connector
- Minimum footprint
- Design optimized for excellent performance
- HomePlug 1.0 compliant
- Simplifies development cycle, assembly and test



Part Number	Description
79102RA-0	Right Angle Mount Designed for systems with embedded power supply and no external electrical cord (wall adapters).
79102ST-6	Vertical Mount Optimized to drive the Powerpacket signal through most AC or DC 6-foot electrical cords, directly to the power outlet or external AC/DC adapter.
79102RA-6	Right Angle Mount Optimized to drive the Powerpacket signal through most AC or DC 6-foot electrical cords, directly to the power outlet or external AC/DC adapter.
79102ST-0	Vertical Mount Designed for systems with embedded power supply and no external electrical cord (wall adapters).

BENEFITS

Bel's series of embedded PowerPacket modules are the first members of the Single Inline Module – Power Line Enabled (SIMPLE) family. These modules are specifically designed to allow future Intellon ICs to be used without board redesign. As new baseband/AFE ICs are introduced by Intellon, pin and function compatible SIMPLE modules can be used to provide improved functionality and/or reduced cost without requiring any redesign of products using SIMPLE modules.

Based on the industry leading Intellon single-chip PowerPacket transceiver, these modules integrate most of the components required in a HomePlug solution on a tiny single in-line package. This package can be easily connected into any existing embedded system via the proprietary SIMPLE PowerBus™ header instantly adding HomePlug functionality with virtually no PCB space and without the hassle of a system redesign.

Each module integrates the chip, crystal, EEPROM, discrete filters, TX/RX power amplifiers and regulators into one single device. The only external components required are the PLC coupler and transient protection on the AC side of the main power supply. The host interface for any of the modules can be configured to be MII PHY, GPSI PHY or MII Host/DTE.

The modules are truly the industry's most integrated and cost effective way of adding HomePlug 1.0 functionality to any embedded networking or consumer electronics product.



In Partnership with

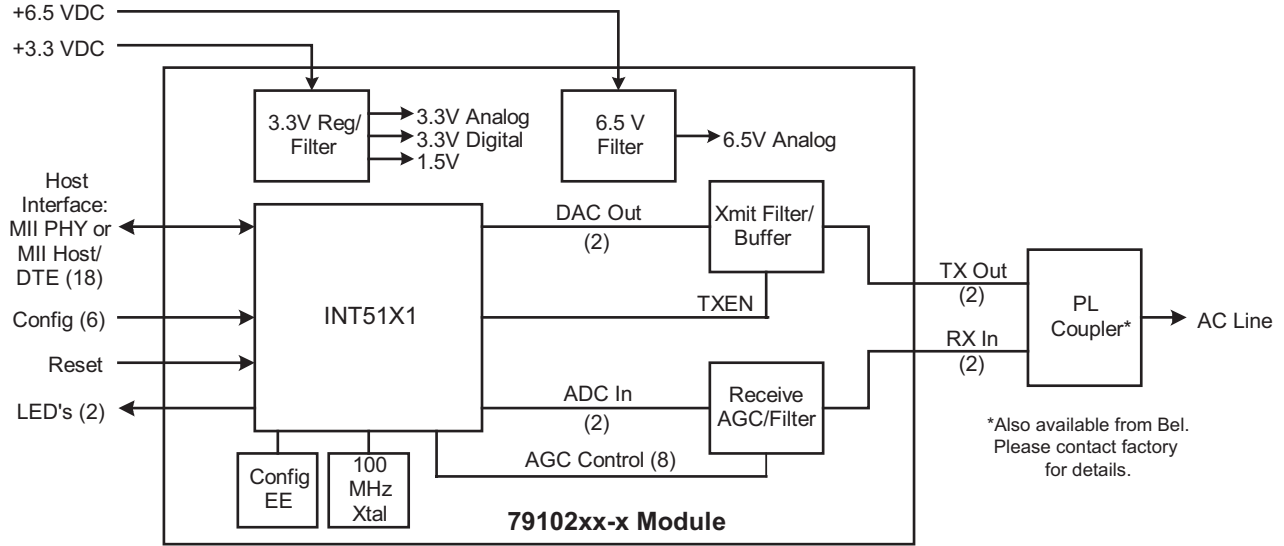




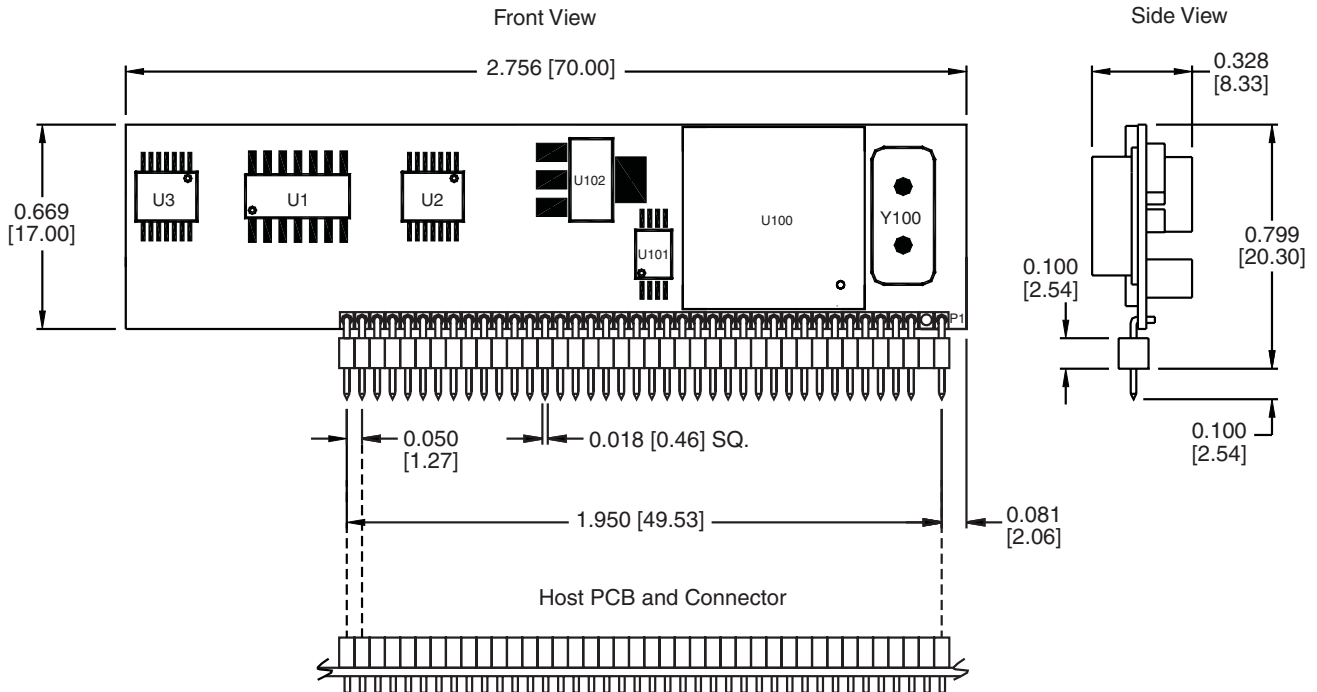
POWERLINE MODULES

SIMPLE™ Embedded PowerPacket™ Modules

BLOCK DIAGRAM



MECHANICAL - Vertical Mount

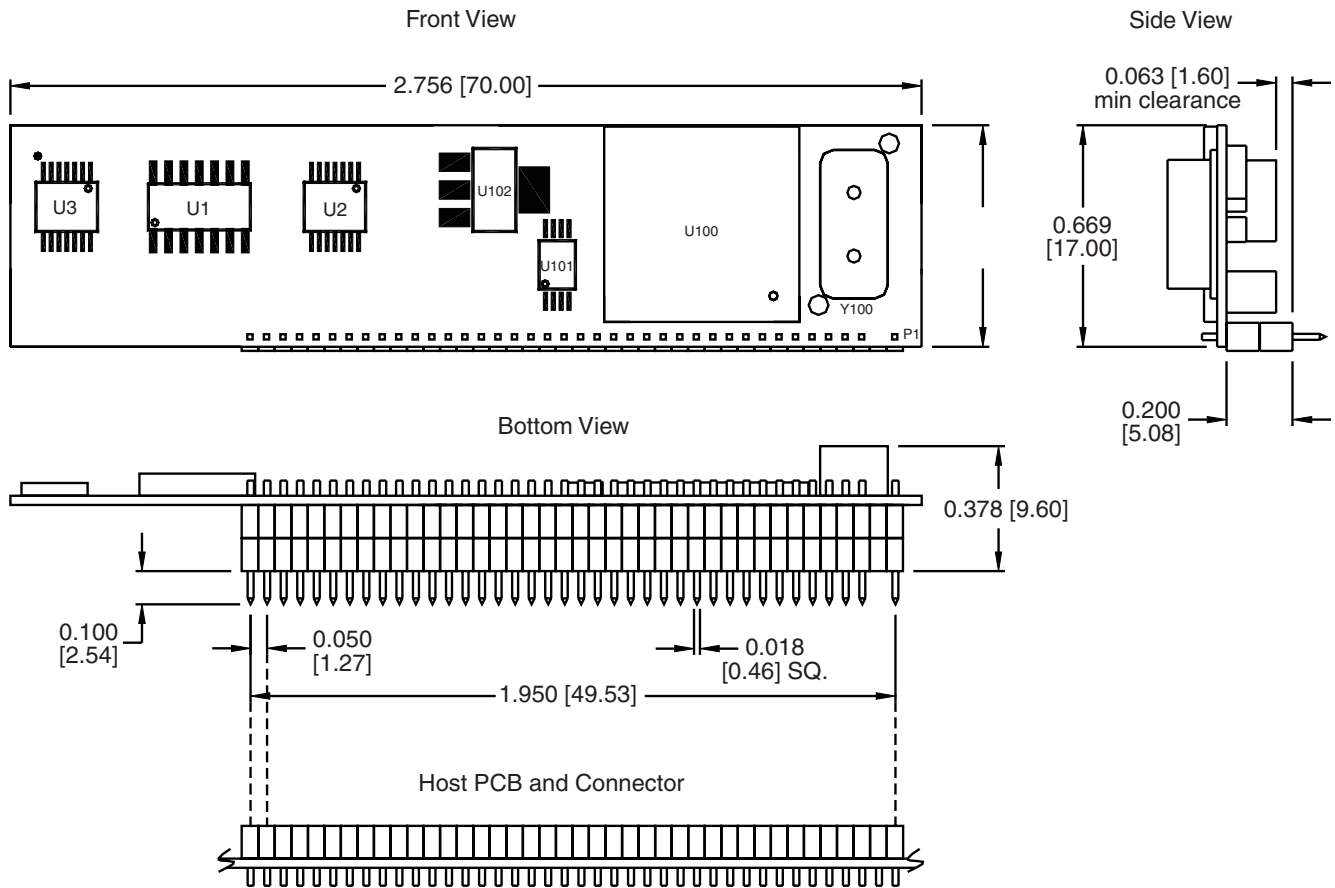




POWERLINE MODULES

SIMPLE™ Embedded PowerPacket™ Modules

MECHANICAL - Right Angle Mount



©2003 Bel Fuse Inc. Specifications subject to change without notice. 12.10.03
Intellon, PowerPacket, SIMPLE and SIMPLE PowerBus are registered trademarks of Intellon Corporation.

CORPORATE

Bel Fuse Inc.
206 Van Vorst Street
Jersey City, NJ 07302
Tel 201-432-0463
Fax 201-432-9542
www.belfuse.com

FAR EAST

Bel Fuse Ltd.
8F / 8 Luk Hop Street
San Po Kong
Kowloon, Hong Kong
Tel 852-2328-5515
Fax 852-2352-3706
www.belfuse.com

EUROPE

Bel Stewart Connector
45/46 Riverside
Medway City Estate
Rochester, Kent ME2 4DP U.K.
Tel 44-1634-722890
Fax 44-1634-716677
www.belfuse.com