

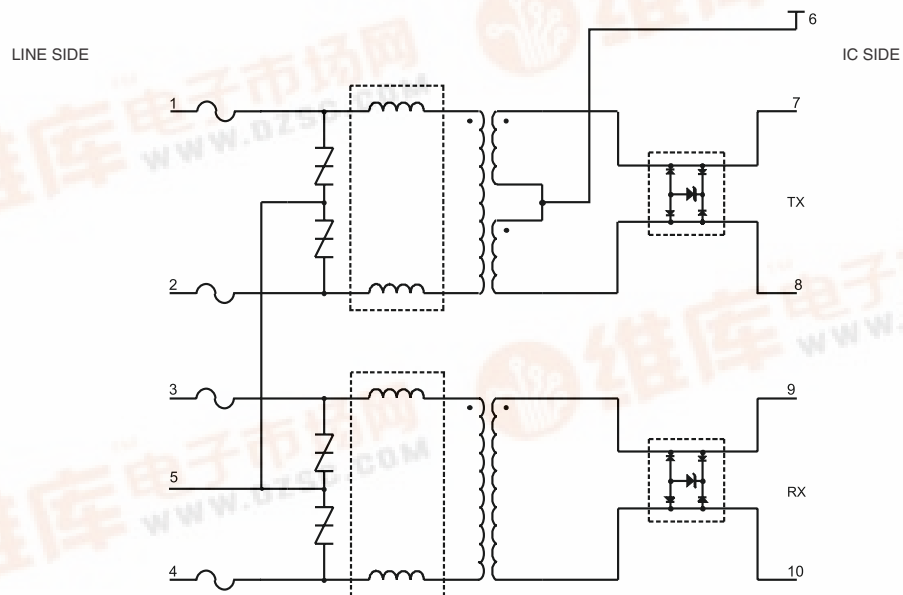


T1/E1/J1 SMD Line Interface Hybrid for Intel Octal LIU APC82246s

FEATURES

- Suitable for all T1/E1/J1 applications
- Compatible with Intel LXT 3108 Octal LIU chip
- Minimum board space requirements
- Designed for multiple interface line cards
- Surface mount footprint
- Operating temperature 0° to 70° C
- In order to maintain the overvoltage/overcurrent capability of the module, the recommendations for the tracking between the Line and the Tip and Ring port of the module are as follows:
 - Trace width = 0.025in
 - 1oz Copper
 - Trace separation between Tip and Ring 0.025 in minimum to the line part of the module
- Longitudinal protection circuit designed to meet FCC part 68, Telcordia GR1089 for 1st level and 2nd level lightning and 1st level power line cross events and EMC EN300 386-2 (European Standard)
- Approved to UL 60950 and IEC 60950 safety standards for supplementary insulation

SCHEMATIC



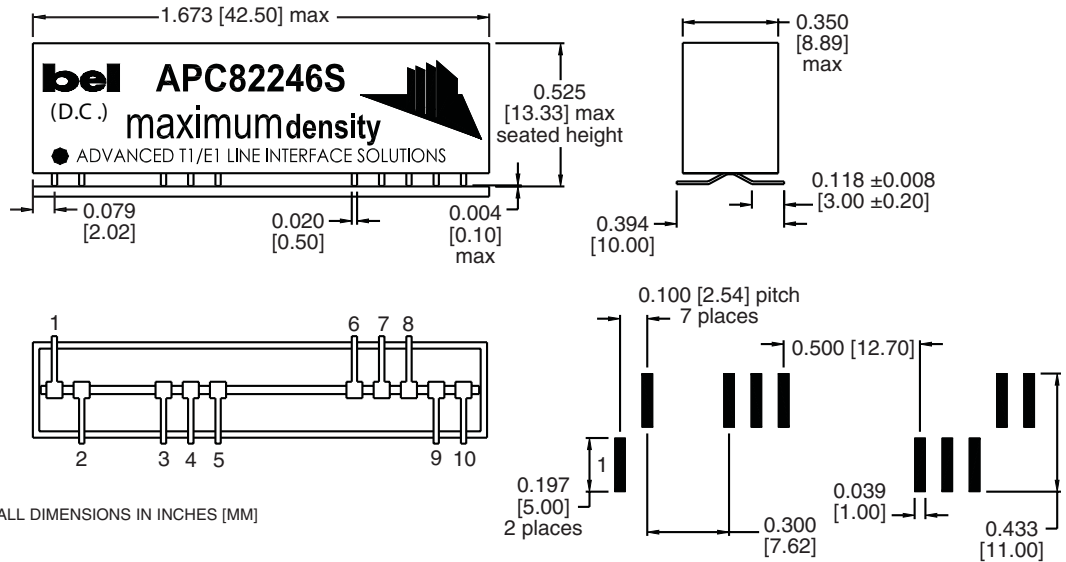
INCLUDES: ISOLATION TRANSFORMERS, COMMON MODE CHOKE, PROTECTION COMPONENTS (LINE AND CHIP SIDE)





T1/E1/J1 SMD Line Interface Hybrid for Intel Octal LIU
APC82246s

MECHANICAL



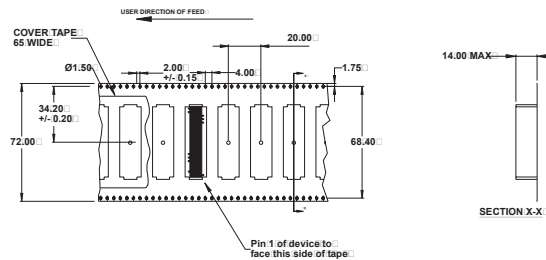
NOTE: ALL DIMENSIONS IN INCHES [MM]

PACKAGING

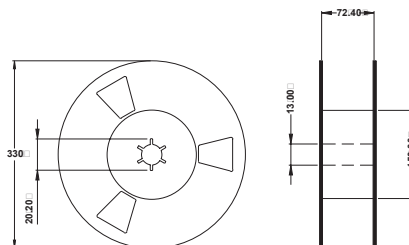
Recommended PCB Layout

Tape Format			
Tape Section	Number of Cavities	Cavity Status	Cover Tape Status
Leader	0.3M 15 pcs	Empty	Sealed
Carrier	3.4M 170 pcs	Filled	Sealed
Trailer	0.3M 15 pcs	Empty	Sealed

TAPE DIMENSIONS



REEL DIMENSIONS





**T1/E1/J1 SMD Line Interface Hybrid for Intel Octal LIU
APC82246s**

MAGNETICS

Common Mode Choke			
Measurement	Value	Tolerance	Test Parameters
Inductance (Tip)	37.8uH	+/- 30%	10Khz 0.1V
Inductance (Ring)	37.8uH	+/- 30%	"
DCR (Tip)	0.05R	Max	
DCR (Ring)	0.05R	Max	

ISDN Line Transformer Rx			
Measurement	Value	Tolerance	Test Parameters
Inductance (Line)	1.2mH	Min	10Khz 0.1V
Inductance (Chip)	1.2mH	Min	"
DCR (Line)	0.5R	Max	
DCR (Chip)	0.5R	Max	
L(leakage)	0.6uH	Max	100Khz 0.1V
Turns Ratio	1:1	+/- 2%	100Khz 4.0V pk
Hi – Pot			1.5KV 1Sec

ISDN Line Transformer Tx			
Measurement	Value	Tolerance	Test Parameters
Inductance (Line)	1.2mH	Min	10Khz 0.1V
Inductance (Chip)	1.2mH	Min	"
DCR (Line)	0.5R	Max	
DCR (Chip)	0.5R	Max	
L(leakage)	0.6uH	Max	100Khz 0.1V
Turns Ratio	1:1 CT	+/- 2%	100Khz 4.0V pk
Hi – Pot			1.5KV 1Sec

©2004 Bel Fuse Inc. Specifications subject to change without notice. 02.26.04

CORPORATE

Bel Fuse Inc.
206 Van Vorst Street
Jersey City, NJ 07302
Tel 201-432-0463
Fax 201-432-9542
www.belfuse.com

FAR EAST

Bel Fuse Ltd.
8F / 8 Luk Hop Street
San Po Kong
Kowloon, Hong Kong
Tel 852-2328-5515
Fax 852-2352-3706
www.belfuse.com

EUROPE

Bel Stewart Connector
45/46 Riverside
Medway City Estate
Rochester, Kent ME2 4DP U.K.
Tel 44-1634-722890
Fax 44-1634-716677
www.belfuse.com