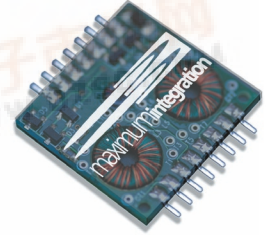




PCMCIA Hybrid
APC8401

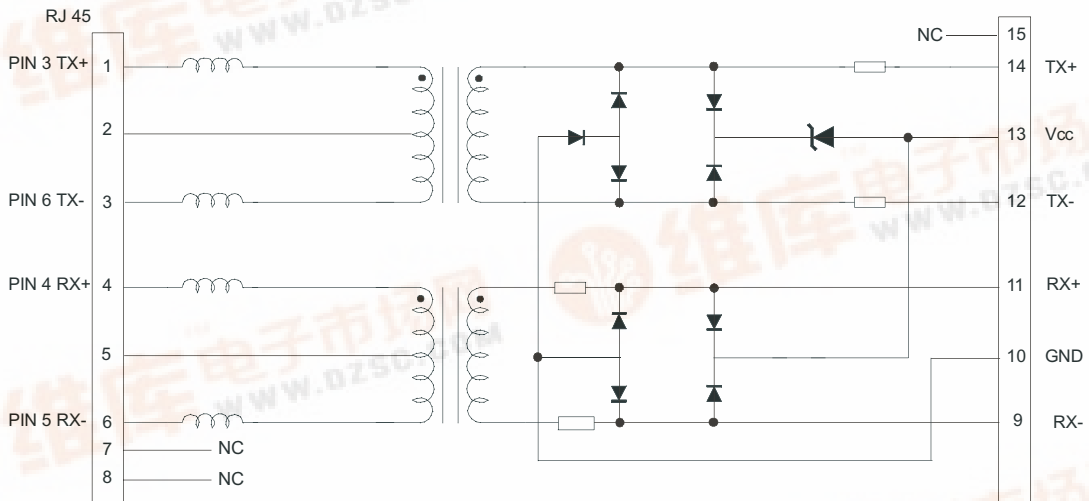


ELECTRICAL SPECIFICATIONS @ 25°C
OPERATING TEMPERATURE 0°C TO 70°C

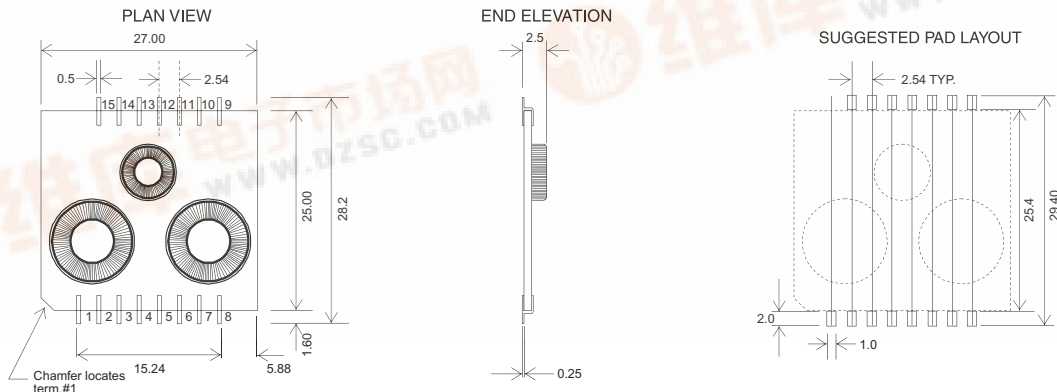
Turns Ratio +/-5%	Primary Inductance mH min	Leakage Inductance uH max	Primary DCR OHMS +/- 20%	Secondary DCR OHMS +/- 20%	Choke	
					Inductance per line mH nom	DCR per line OHMS
1CT:2	22.0	10.0	1.0	3.1	0.04	0.5

NOTES: ISOLATION PRI:SEC 1500VRMS

SCHEMATIC



MECHANICAL



NOTES:
NOT TO SCALE
TOLERANCE +/- 0.2MM
ALL DIMENSIONS IN MM