



AS2916

PWM Controller



Features

- Dual PWM Controller
- Ultra low start-up current, less than 25µA
- Main converter soft-start
- Frequency randomizer for improved EMI performance
- Bulk detect circuitry
- Remote ON/OFF control
- Buffered ramp for slope compensation
- Optional auxiliary converter primary regulation
- High main converter drive capability
- Undervoltage lockout circuitry
- Accurate reference
- Standard temperature range extended to 105°C

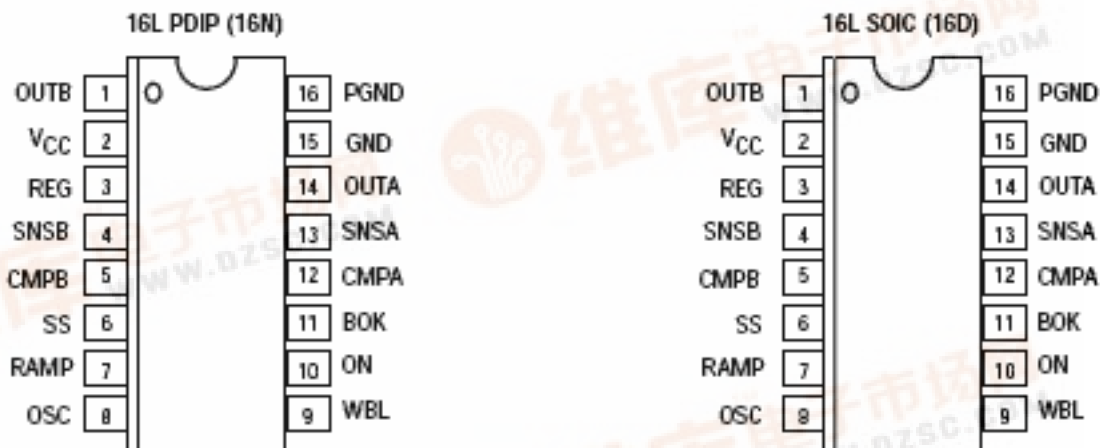
Description

The AS2916 is a dual, full featured, pulse width modulation controller. The second controller is intended to run the auxiliary supply. Both controllers share common oscillator and power up logic. Based on an improved AS3842, the AS2916 provides additional features that reduce component count and improve specifications in a wide range of power supply designs. The added functionality also includes bulk voltage sensing, overvoltage input and soft-start.

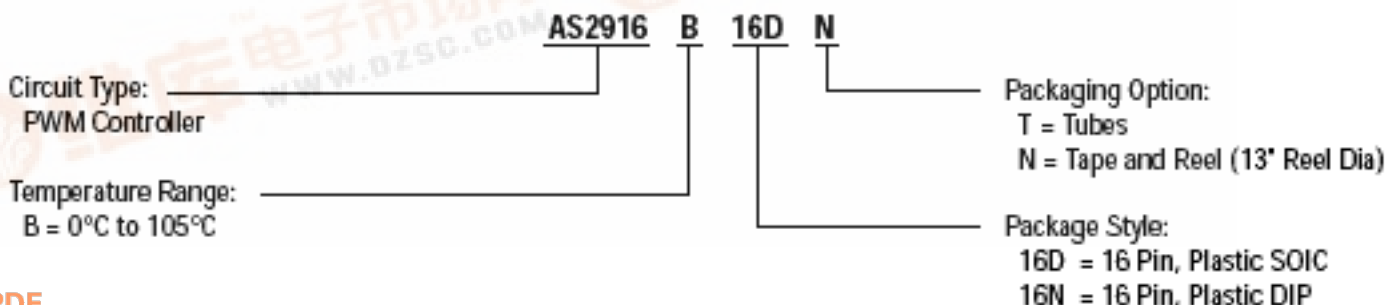
The PWM function is controlled by the current sense comparator for normal current mode control and a second comparator for voltage mode soft-start. A buffered RAMP signal is available for slope compensation without loading the oscillator. The output stage is a high current totem pole output that sees only 140 ns delay from the PWM comparators.

The AS2916 requires less than 25 µA of startup current. The under-voltage lockout (UVLO) thresholds are nominally 13.5 V for turn-on and 7.5 V for turn-off. The oscillator discharge current is trimmed to provide guaranteed duty cycle clamping. The AS2916 has a second low frequency oscillator, which frequency modulates the operating frequency of the PWM by 25%, thus reducing EMI emissions.

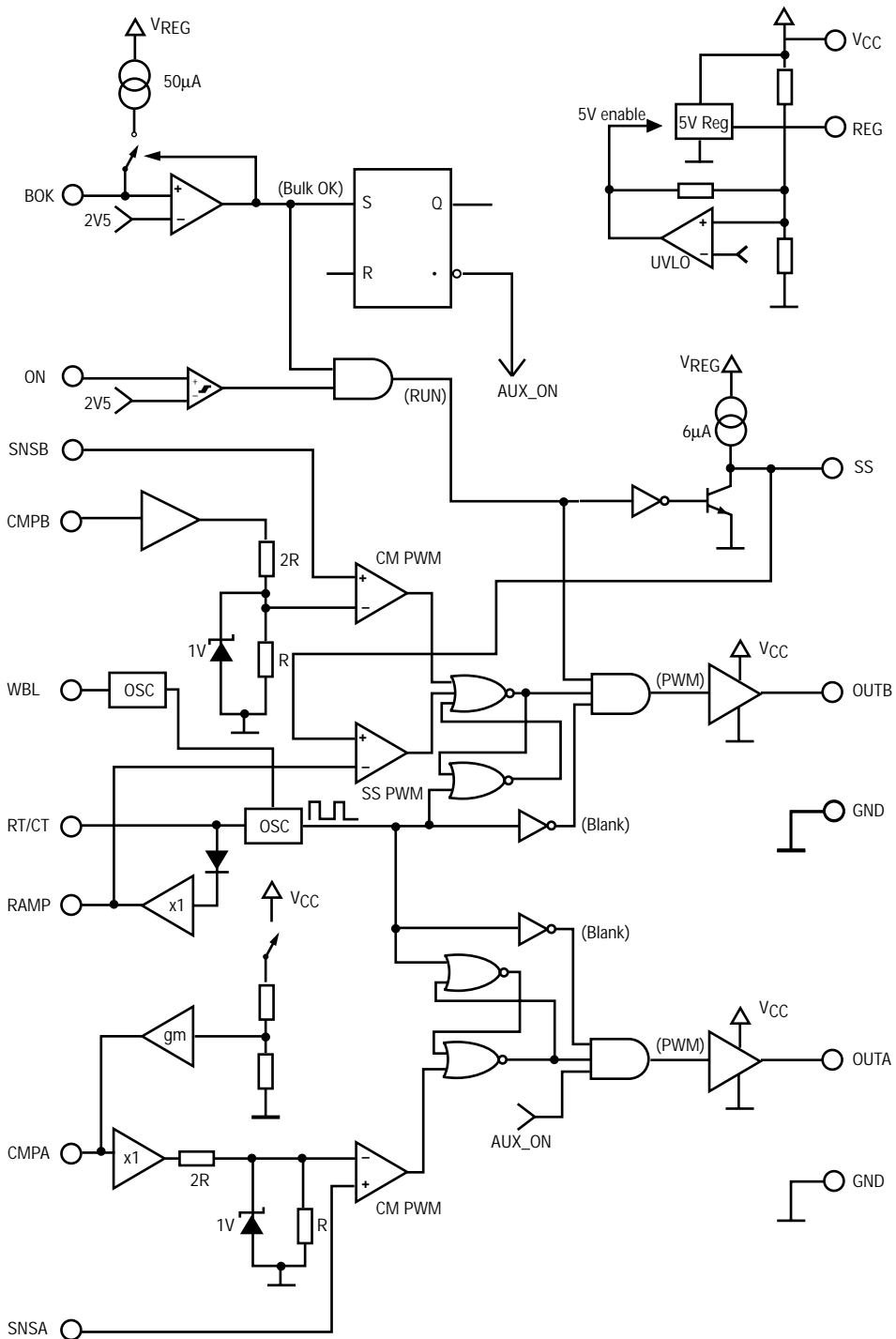
Pin Configuration – Top View



Ordering Information



Functional Block Diagram



Pin Function Description

Pin Number	Function	Description
1	OUTB	This is the gate drive output for the Main FET. The totem pole output has equivalent of an extra 10 Ω resistor to limit the FET turn on speed and a pull down resistor to ensure the FET gate is never open. No external circuitry except for the FET is expected on this pin. The largest FET expected to be driven is IRFBC40. If a larger power FET is used, a buffer might be required.
2	V _{CC}	Positive supply for the IC. Absolute maximum rating is 20 V. The running voltage shall be provided by the Auxiliary converter.
3	REG	Output of 5 V series regulator.
4	SNSB	This is the Main convertor current sense pin. An external RC filter from the Main power FET and slope compensation resistor from the RAMP pin is all the expected external circuitry.
5	CMPB	This is the Main output control pin. An opto isolated control signal from the secondary side error amplifier is buffered and connected to the invert pin of the main output current mode comparator. A pull-up current of 1 mA is provided so the only external circuitry expected is a common emitter opto-isolator.
6	SS	This pin provides a 6 μ A current source to linearly charge an external capacitor. This spin is compared to the RAMP pin in the soft start comparator, terminating output pulses when RAMP goes above the SS voltage. While this pin is held low, the main output is inhibited.
7	RAMP	This pin is a level-shifted and buffered oscillator waveform, used to provide slope compensation for the Main and Auxiliary converters. The pin also serves as the non-inverting input of the soft-start comparator.
8	OSC	Oscillator frequency and maximum duty cycle are set by connecting the resistor (R _T) to V _{REG} and a capacitor (C _T) to ground.
9	WBL	Provides an FM modulation of the oscillator, approximately $\pm 25\%$ deviation frequency, at a modulation rate set by an external cap at WBL. Shorting to GND eliminates modulation.
10	ON	This pin is used to remotely turn the main convertor ON/OFF either for normal user application or for protection.
11	BOK	Bulk OK. This is a brownout protection feature. The pin monitors the bulk voltage through a resistor divider. When BOK exceeds 2.5 V a 50 μ A current is sourced from the pin for hysteresis. When the pin drops below 2.5 V the hysteresis is turned off and SS is pulled low, inhibiting the main output. The Auxiliary output is not tied to BOK and will run as long as there is sufficient bias voltage.

Pin Function Description

Pin Number	Function	Description
12	CMPA	This is the Auxiliary convertor error amplifier compensation pin or if secondary controller is desired, the Auxiliary control input pin. A simple capacitor to ground is the only circuitry expected. Note: There is no external connection for voltage feedback. Voltage sensing is provided internally in such a way that V_{CC} not loaded until it reaches predefined threshold. If secondary control is required, it can be forced into the CMPA pin.
13	SNSA	This is the Auxiliary convertor current sense pin. An external RC filter from the Auxiliary power FET and slope compensation resistor from the RAMP pin is all the expected external circuitry.
14	OUTA	This is the gate drive output for the Auxiliary FET. The totem pole output has equivalent of an extra 33 Ω resistor to limit the FET turn on speed and a pull down resistor to ensure the FET gate is never open. No external circuitry except for the FET is expected on this pin. The largest FET expected to be driven is IRF820. If a larger power FET is used, a buffer might be required.
15	GND	Signal ground.
16	PGND	Power ground.

Absolute Maximum Ratings

Parameter	Symbol	Rating	Unit
Reference Current	I_{REF}	200	mA
Output Current	I_{OUT}	1	A
Supply Voltage	V_{CC}	20	V
Output Voltage	V_{OUT}	20	V
Continuous Power	P_D	500	mW
Junction Temperature	T_J	150	$^{\circ}\text{C}$
Storage Temperature	T_{STG}	-60 to +150	$^{\circ}\text{C}$
Lead Temperature (Soldering, 10 seconds)	T_L	300	$^{\circ}\text{C}$

Electrical Characteristics

Electrical characteristics are guaranteed over the full junction temperature range (0-105°). Ambient temperature must be derated based upon power dissipation and package thermal characteristics. The conditions are: $V_{CC} = 15\text{ V}$, $BOK = 3\text{ V}$, $ON = 3\text{ V}$, $R_T = 680\ \Omega$, $C_T = 10\text{ nF}$, and $C_{WBL} = 2.2\text{ nF}$, unless otherwise specified. To override UVLO, V_{CC} should be raised above $UVLO_{HIGH}$ prior to test.

Parameter	Symbol	Test Condition	Min.	Typ.	Max.	Unit
5 V Regulator						
Output Voltage	V_{REG}	$T_J = 25^\circ\text{C}$, $I_{REG} = 1\text{ mA}$	4.90	5.00	5.10	V
Line Regulation	PSRR	$12 \leq V_{CC} \leq 18\text{ V}$		5	15	mV
Load Regulation		$1.0 \leq I_{REG} \leq 20\text{ mA}$		5	15	mV
Temperature Stability	TC_{REG}			0.2	0.4	mV/°C
Total Output Variation		Line, Load, Temperature	4.85		5.15	V
Long-Term Stability		Over 1,000 hrs at 25°C		5.0	25	mV
Output Noise Voltage	V_{NOISE}	$10 \leq f \leq 100\text{ kHz}$, $T_J = 25^\circ\text{C}$		50		μV
Maximum Source Current	I_{MAX}	$V_{REG} = 4.8\text{ V}$	30	120	180	mA
Oscillator						
Initial Frequency	f_{OSC}	$T_A = 25^\circ\text{C}$, $V_{WBL} = 0\text{ V}$	117	132	143	kHz
Voltage Stability		$8.5\text{ V} \leq V_{CC} \leq 18\text{ V}$		0.2	1.0	%
Temperature Stability	TC_F	$T_{MIN} \leq T_J \leq T_{MAX}$		5		%
Amplitude	V_{OSC}	V_{OSC} peak-to-peak		1.55		V
Upper Trip Point	V_H	$V_{WBL} = 0\text{ V}$		2.8		V
Lower Trip Point	V_L	$V_{WBL} = 0\text{ V}$		1.25		V
Discharge Current	I_{DSC}	$V_{OSC} = 3\text{ V}$	7.5	8.7	9.5	mA
Duty Cycle Limit		$R_T = 680\ \Omega$, $C_T = 10\text{ nF}$, $T_J = 25^\circ\text{C}$	46	50	54	%
Over-Temperature Shutdown	T_{OT}			140		°C
Wobble Oscillator						
Wobble Rate	F_{WBL}	2.2 nF WBL to GND	3.4	4.5	6.0	kHz
OSC Frequency Deviation	DEV	Change in main oscillator freq.	+30	+40	+50	kHz
Amplitude	V_{WBL}	V_{WBL} peak-to-peak		1.8		V
Upper Trip Point	V_H			2.7		V
Lower Trip Point	V_L			0.9		V
Charge Current	I_{CHRG}	$V_{WBL} = 0.7\text{ V}$	-25	-36	-50	μA
Discharge Current	I_{DSC}	$V_{WBL} = 4.8\text{ V}$	25	36	50	μA

Electrical Characteristics

Electrical characteristics are guaranteed over the full junction temperature range (0-105°). Ambient temperature must be derated based upon power dissipation and package thermal characteristics. The conditions are: $V_{CC} = 15\text{ V}$, $BOK = 3\text{ V}$, $ON = 3\text{ V}$, $R_T = 680\ \Omega$, $C_T = 10\text{ nF}$, and $C_{WBL} = 2.2\text{ nF}$, unless otherwise specified. To override UVLO, V_{CC} should be raised above $UVLO_{HIGH}$ prior to test.

Parameter	Symbol	Test Condition	Min.	Typ.	Max.	Unit
Auxiliary PWM Comparator Input (CMPA)						
Regulation Voltage	V_{CCREG}		13.4	14.5	15.7	V
Transconductance	G_m			1.0		mS
Output Sink Current	$I_{CMPALow}$	$V_{CC} = 16\text{ V}$, $V_{CMPA} = 1.1\text{ V}$	2.0	6.0		mA
Output Source Current	$I_{CMPAHigh}$	$V_{CC} = 12\text{ V}$, $V_{CMPA} = 5\text{ V}$	-0.5	-1.1		mA
Output Swing High	$V_{CMPAHigh}$	$V_{CC} = 12\text{ V}$, $I_{CMPA} = 0.5\text{ mA}$	5.4	5.7		V
Output Swing Low	$V_{CMPALow}$	$V_{CC} = 16\text{ V}$, $I_{CMPA} = 2\text{ mA}$		0.2	1.1	V
Auxiliary Current Sense Comparator (SNSA)						
Transfer Gain	A_{VSNSA}	$-0.2 \leq V_{SNSA} \leq 0.8\text{ V}$		3.0		V/V
CMPA Level Shift	V_{LS}	$V_{SNSA} = 0\text{ V}$		1.5		V
Current Sense Threshold	V_{SNSA}	$V_{CMPA} = 5\text{ V}$	0.95	1.05	1.15	V
Input Bias Current	I_{BIAS}			-1.0	-10	μA
Propagation Delay to Output	t_{PD}			80	150	ns
Main PWM Comparator Input (CMPB)						
Comp Source Current	I_{CMPB}	$V_{CMPB} = 2.5\text{ V}$	-1.0	-1.4		mA
Comp Source Impedance	Z_{CMPB}		10	15	20	$\text{k}\Omega$
Comp Source High	$V_{CMPBHigh}$		5.4	5.6		V
Main Current Sense Comparator (SNSB)						
Transfer Gain	A_{VSNSB}	$-0.2 \leq V_{SNSB} \leq 0.8\text{ V}$		3.0		V/V
CMPB Level Shift	V_{LS}	$V_{SNSB} = 0\text{ V}$		1.5		V
Current Sense Threshold	V_{SNSB}	$V_{CMPB} = 5\text{ V}$	0.95	1.05	1.15	V
Input Bias Current	I_{BIAS}			-1.0	-10	μA
Propagation Delay to Output	t_{PD}			80	150	ns
Soft Start Comparator						
SS Charge Current	$I_{Charge\ SS}$	$V_{SS} \leq V_{RAMP}$	-4.0	-6.0	-10	μA
SS Discharge Current	$I_{Dsc\ SS}$	$V_{SS} = 1\text{ V}$, $V_{ON} < 1.5\text{ V}$	2.0	10		mA
SS Lower Clamp	$V_{SS\ low}$			0.05	0.2	V
Propagation Delay to Output	t_{PB}			50	100	ns
RAMP High Level	V_{RAMPH}	$T_J = 25^\circ\text{C}$	2.0	2.15	2.3	V
RAMP Low Level	V_{RAMPL}	$T_J = 25^\circ\text{C}$	0.45	0.6	0.75	V
RAMP Levels T_C		Note: RAMP waveform is same as OSC waveform, but level shifted down one diode drop.		-2.0		$\text{mV}/^\circ\text{C}$
RAMP Sink Current	I_{RAMPL}	$T_J = 25^\circ\text{C}$	0.1	0.2		mA
RAMP Source Current	I_{RAMPH}	$T_J = 25^\circ\text{C}$	-2.0	-10		mA

Electrical Characteristics

Electrical characteristics are guaranteed over the full junction temperature range (0-105°). Ambient temperature must be derated based upon power dissipation and package thermal characteristics. The conditions are: $V_{CC} = 15\text{ V}$, $BOK = 3\text{ V}$, $ON = 3\text{ V}$, $R_T = 680\ \Omega$, $C_T = 10\text{ nF}$, and $C_{WBL} = 2.2\text{ nF}$, unless otherwise specified. To override UVLO, V_{CC} should be raised above $UVLO_{HIGH}$ prior to test.

Parameter	Symbol	Test Condition	Min.	Typ.	Max.	Unit
Main Output						
Output Low Level	V_{OUTBL}	$I_{SINK} = 10\text{ mA}$		0.1	0.4	V
Output Low Level	V_{OUTBL}	$I_{SINK} = 150\text{ mA}$		1.5	2.2	V
Output High Level	V_{OUTBH}	$I_{SOURCE} = 10\text{ mA}$, $V_{CC} = 15\text{ V}$	12	13		V
Output High Level	V_{OUTBH}	$I_{SOURCE} = 150\text{ mA}$, $V_{CC} = 15\text{ V}$	10	10.7		V
On Resistance High				10		Ω
Rise Time	t_R	$C_L = 1.3\text{ nF}$, 10% to 90%		50	150	ns
Fall Time	t_F	$C_L = 1.3\text{ nF}$, 90% to 10%		50	150	ns
Output Impedance to GND in UVLO State	Z_{OUT}	$V_{CC} = 6\text{ V}$		20		k Ω
Auxiliary Output						
Output Low Level	V_{OUTBL}	$I_{SINK} = 10\text{ mA}$		0.1	0.4	V
Output Low Level	V_{OUTBL}	$I_{SINK} = 150\text{ mA}$		1.5	2.2	V
Output High Level	V_{OUTBH}	$I_{SOURCE} = 10\text{ mA}$, $V_{CC} = 15\text{ V}$, $V_{CMPA} = 5\text{ V}$	12	13		V
Output High Level	V_{OUTBH}	$I_{SOURCE} = 110\text{ mA}$, $V_{CC} = 15\text{ V}$, $V_{CMPA} = 5\text{ V}$	7	8		V
On Resistance High				33		Ω
Rise Time	t_R	$C_L = 350\text{ pF}$, 10% to 90%		70	150	ns
Fall Time	t_F	$C_L = 350\text{ pF}$, 90% to 10%		50	150	ns
Output Impedance to GND in UVLO State	Z_{OUT}	$V_{CC} = 6\text{ V}$		20		k Ω
Under-Voltage Lockout						
Start-Up Threshold	$V_{CC(ON)}$		12.4	13.5	14.7	V
Stop Threshold	$V_{CC(OFF)}$		7	7.5	8	V
Start-Up Current	I_{CC}			0.1	25	μA
Operating Supply Current	I_{CC}	$V_{CC} = 15\text{ V}$		18	25	mA
Housekeeping						
BOK UV Threshold	$V_{BOK\ UV}$	$T_J = 25^\circ\text{C}$	2.50	2.537	2.575	V
BOK UV Hysteresis Current	$I_{HYST\ BOK}$	$V_{BOK} = 2.6\text{ V}$	42	50	58	μA
BOK Input Bias Current	I_{BOK}	$V_{BOK} = 2.4\text{ V}$		-0.1	-1.0	μA
ON Threshold	V_{ON}		2.35	2.5	2.65	V
ON Hysteresis	ΔV_{ON}		-0.7	-0.9	-1.1	V
ON Bias Current	$I_{BIAS\ ON}$	$V_{ON} = 2.3\text{ V}$		-0.5	-10	μA

