

A23C DIN 41612 IDC TYPE TRIPLE ROW (A+B+C)

PITCH: 2.54mm

SPECIFICATIONS

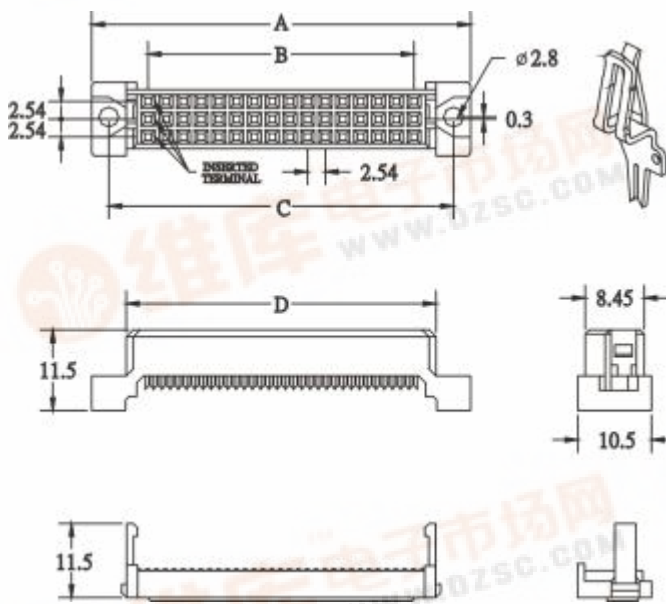
Material

Insulator : PBT, glass reinforced, rated UL 94V-0
 Contact : Phosphor Bronze

Electrical

Current Rating : 1 Amp DC
 Contact Resistance : 30 mΩ max.
 Insulation Resistance : 3000 MΩ min.
 Dielectric Withstanding Voltage : 500V AC for 1minute
 Operating Temperature : -40°C to +105°C

- ♦ Terminated with 0.85mm pitch flat ribbon cable.
- ♦ Mating Suggestion : D14, D14a & D14b series.



POSITION	A	B	C	D
48(A+B+C)	55	38.10	50	44.4
96(A+B+C)	95	78.74	90	85.0

HOW TO ORDER:

A23c - - - - -

1.NO. OF CONTACT	2.CONTACT TYPE	3.CONTACT MATERIAL	4.CONTACT PLATING	5.INSULATOR COLOR
48 96	F: FEMALE	B: PHOSPHOR BRONZE	T: TIN PLATED S: SELECTIVE G: GOLD FLASH A: 5u" INCH GOLD B: 10u" INCH GOLD C: 15u" INCH GOLD D: 30u" INCH GOLD	2. GREY