

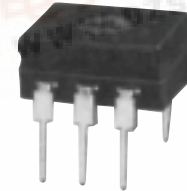


Dip Switch

A6C

Highly Reliable Subminiature Dip Switch

- Precision rotary cam and contactor drive provide high reliability
- Subminiature: 9 (W) x 6.6 (L) x 4.5 (H) mm
- Molded base and rotor sealed by O-ring; eliminates the need for tape sealing

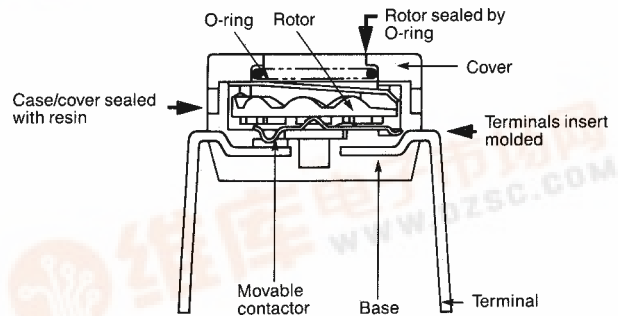


Ordering Information

Output code type	No. of switching positions	Part Number	
		Top actuated	Side actuated
BCD	10	A6C-10R(N)	A6CV-10R
BCD Hexadecimal	16	A6C-16R(N)	A6CV-16R

CONSTRUCTION

The movable contactor is moved as the rotor rotates. The terminals are insert molded into the base. The rotor is secured by an O-ring and the case and the cover are made of plastic resin. Therefore, the internal mechanism is effectively sealed.



Characteristics

Switching capacity		100 mA, 30 VDC
Permissible load		10 μ A, 3.5 VDC min.
Carry current		100 mA max.
Contact resistance		200 M Ω max.
Insulation resistance		100 M Ω min. (at 250 VDC)
Dielectric strength		500 VAC for 1 minute between current-carrying metal parts and ground 250 VAC for 1 minute between terminals of same pole
Operating force		15 to 100 g-cm
Vibration	Malfunction durability	10 to 55 Hz, 1.5 mm double amplitude
Shock	Malfunction durability	Approx. 300 m/s ² (30 G)
Materials	Base/Cover	PPS (Polyphenylene sulfide)
	Rotor	PBT (Polybutylene terephthalate)
	O-ring	Acryl nitril butadiene rubber
	Movable contact	SUS plate, gold-plated
	Terminal	42-alloy plate (nickel-iron alloy)
Ambient temperature	Operating	-20° to 70°C
Humidity		35% to 95% RH
Service life	Mechanical	10,000 operations min.
	Electrical	2,000 operations min.
Weight		A6C-10R, -16R: Approx. 0.4 g, A6CV-10R, -16R: Approx. 0.7 g

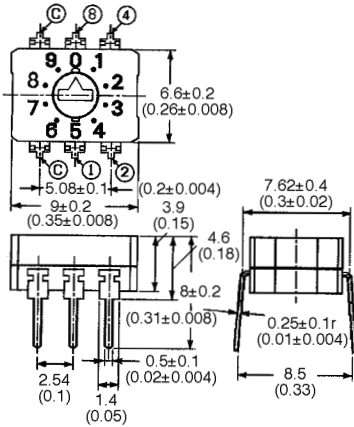
Note: Data shown are of initial value



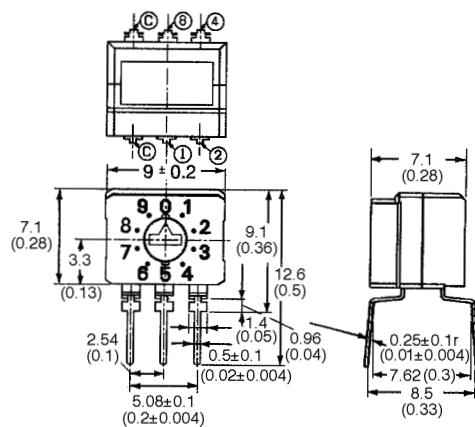
Dimensions

Unit: mm (inch)

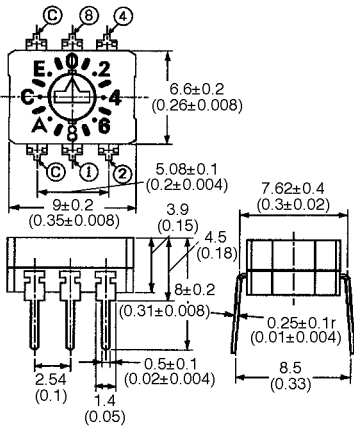
A6C-10R(N)



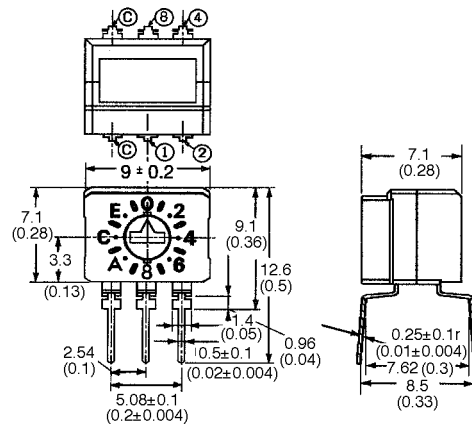
A6CV-10R



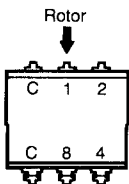
A6C-16R(N)



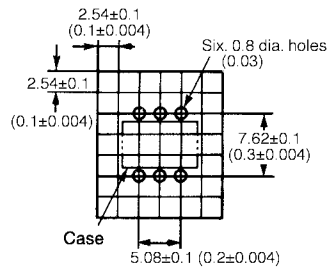
A6CV-16R



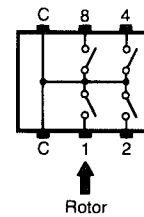
Terminal arrangement (bottom view)



Mounting holes PCB dimension (top view)



Internal connections (top view)



Hints on Correct Use

Refer to HINTS ON CORRECT USE under the General Information section.

OMRON

OMRON ELECTRONICS, INC.
One East Commerce Drive
Schaumburg, IL 60173
1-800-55-OMRON

OMRON CANADA, INC.
885 Milner Avenue
Scarborough, Ontario M1B 5V8
416-286-6465