

A05 IDC SOCKET

PITCH: 2.0mm

SPECIFICATIONS

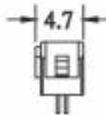
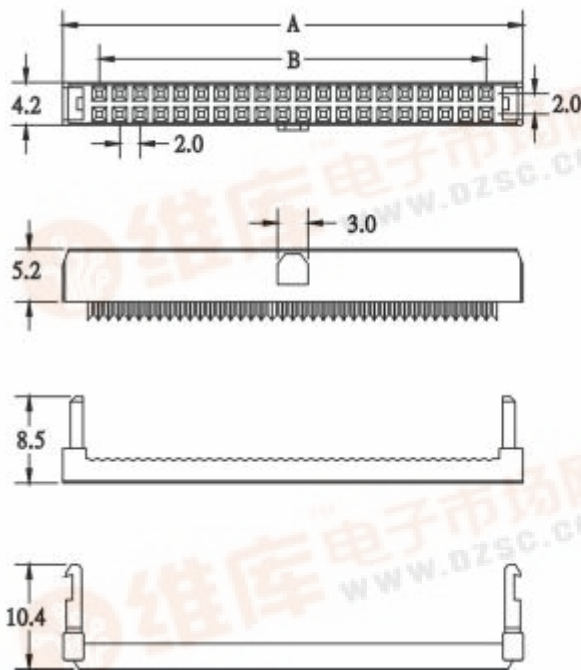
Material

Insulator : PBT, glass reinforced, rated UL 94V-0
 Contact : Phosphor Bronze

Electrical

Current Rating : 1 Amp DC
 Contact Resistance : 30 mΩ max.
 Insulation Resistance : 3000 MΩ min.
 Dielectric Withstanding Voltage : 500V AC for 1minute
 Operating Temperature : -40℃ to +105℃

- Terminated with 1.00mm pitch flat ribbon cable.
- Mating Suggestion : C05, C05a, C06 & C06a series.



POSITION	A	B
6	11.1	4.0
8	13.1	6.0
10	15.1	8.0
12	17.1	10.0
14	19.1	12.0
16	21.1	14.0
20	25.1	18.0
22	27.1	20.0
24	29.1	22.0
26	31.1	24.0
30	35.1	28.0
34	39.1	32.0
40	45.1	38.0
44	49.1	42.0
50	55.1	48.0
68	73.1	66.0

HOW TO ORDER:

A05 - 1 - 2 - 3 - 4 - 5

1.NO. OF CONTACT	2.CONTACT MATERIAL	3.CONTACT PLATING	4.SPECIAL FUNCTION	5.INSULATOR COLOR
06 08 10 12 14 16 20 22 24 26 30 34 40 44 50 68	B: PHOSPHOR BRONZE	T: TIN PLATED S: SELECTIVE G: GOLD FLASH A: 5u" INCH GOLD B: 10u" INCH GOLD C: 15u" INCH GOLD D: 30u" INCH GOLD	A: W STRAIN RELIEF W BAR B: W/O STRAIN RELIEF W BAR C: W STRAIN RELIEF W/O BAR D: W/O STRAIN RELIEF W/O BAR	1. BLACK