



# Technical Data Sheet

## 3474/BADB-AGKA/XR/MS

### Features

- High luminous intensity output
- Oval Shape
- Well defined spatial radiation
- Wide viewing angle ( $2\theta_{1/2}$ ) :  $100^\circ / 50^\circ$
- The product itself will remain within RoHS compliant version
- UV resistant epoxy



### Descriptions

- This precision optical performance oval LED is specifically designed for passenger information signs
- This lamp has matched radiation patterns with red and green mixing color applications
- Superior performance in outdoor environment

### Applications

- Color graphic signs
- Message boards
- Variable message signs (VMS)
- Commercial outdoor advertising

### Device Selection Guide

| LED Part No.         | Chip Material | Emitted Color | Lens Color    | Stopper |
|----------------------|---------------|---------------|---------------|---------|
| 3474/BADB-AGKA/R/MS  | InGaN         | Super Blue    | Blue Diffused | No      |
| 3474/BADB-AGKA/PR/MS |               |               |               | Yes     |



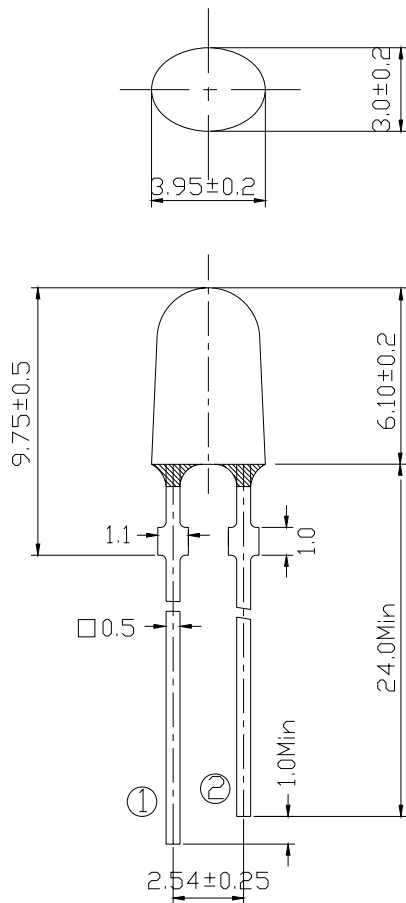


# Technical Data Sheet

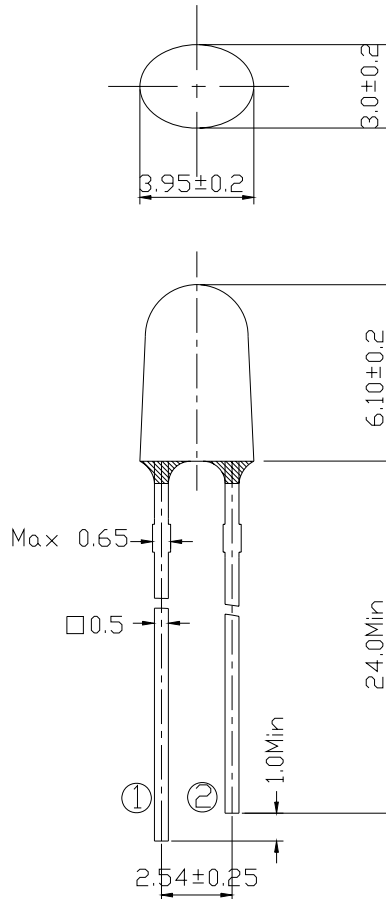
## 3474/BADB-AGKA/XR/MS

### Package Dimensions

#### Stopper Type

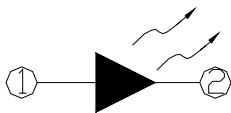


#### No Stopper Type



① Anode

② Cathode



### Notes:

- All dimensions are in millimeters, tolerance is 0.25mm except being specified.
- Protruded resin under flange is 1.5mm Max LED.
- Bare copper alloy is exposed at tie-bar portion after cutting.



# Technical Data Sheet

## 3474/BADB-AGKA/XR/MS

### Absolute Maximum Rating ( $T_a=25^{\circ}\text{C}$ )

| Parameter                                  | Symbol    | Absolute Maximum Rating | Unit               |
|--|-----------|-------------------------|--------------------|
| Forward Current                            | $I_F$     | 30                      | mA                 |
| Pulse Forward Current<br>(Duty 1/10@ 1KHz) | $I_{FP}$  | 100                     | mA                 |
| Operating Temperature                      | $T_{opr}$ | -40 ~ +85               | $^{\circ}\text{C}$ |
| Storage Temperature                        | $T_{stg}$ | -40 ~ +100              | $^{\circ}\text{C}$ |
| Soldering Temperature                      | $T_{sol}$ | 260 $\pm$ 5             | $^{\circ}\text{C}$ |
| Power Dissipation                          | $P_d$     | 100                     | mW                 |
| Reverse Voltage                            | $V_R$     | 5                       | V                  |

Notes: Soldering time  $\leq$  5 seconds.

### Electro-Optical Characteristics ( $T_a=25^{\circ}\text{C}$ )

| Parameter           | Symbol          | Min. | Typ.      | Max. | Unit          | Condition         |
|---------------------|-----------------|------|-----------|------|---------------|-------------------|
| Luminous Intensity  | $I_V$           | 565  | 715       | 1425 | mcd           | $I_F=20\text{mA}$ |
| Viewing Angle       | $2\theta_{1/2}$ | --   | X:100Y:50 | --   | deg           |                   |
| Peak Wavelength     | $\lambda_p$     | --   | 468       | --   | nm            |                   |
| Dominant Wavelength | $\lambda_d$     | 465  | 470       | 475  |               |                   |
| Spectrum Half width | $\Delta\lambda$ | --   | 26        | --   |               |                   |
| Forward Voltage     | $V_F$           | 3.0  | 3.4       | 3.6  | V             |                   |
| Reverse Current     | $I_R$           | --   | --        | 50   | $\mu\text{A}$ | $V_R=5\text{V}$   |

### Rank Combination ( $I_F=20\text{mA}$ )

| Rank               | G       | H       | J        | K         |
|--------------------|---------|---------|----------|-----------|
| Luminous Intensity | 565~715 | 715~900 | 900~1125 | 1125~1425 |

\*Measurement Uncertainty of Luminous Intensity:  $\pm 15\%$

Unit:mcd

| Rank            | 1       | 2       | 3       |
|-----------------|---------|---------|---------|
| Forward Voltage | 3.0~3.2 | 3.2~3.4 | 3.4~3.6 |

\*Measurement Uncertainty of Forward Voltage:  $\pm 0.1\text{V}$

Unit:V

| Rank                | 1       | 2       |
|---------------------|---------|---------|
| Dominant Wavelength | 465~470 | 470~475 |

\*Measurement Uncertainty of Dominant Wavelength  $\pm 1.0\text{nm}$

Unit:nm

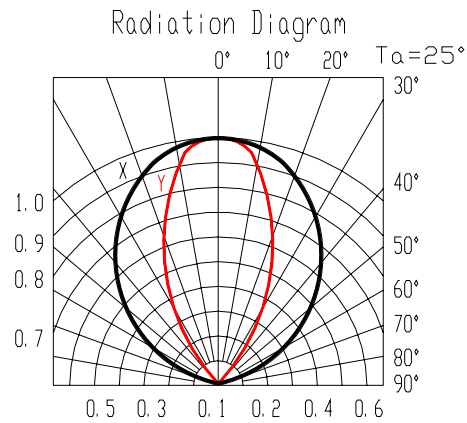
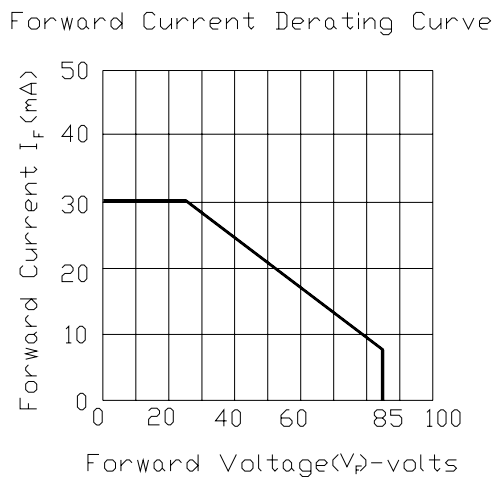
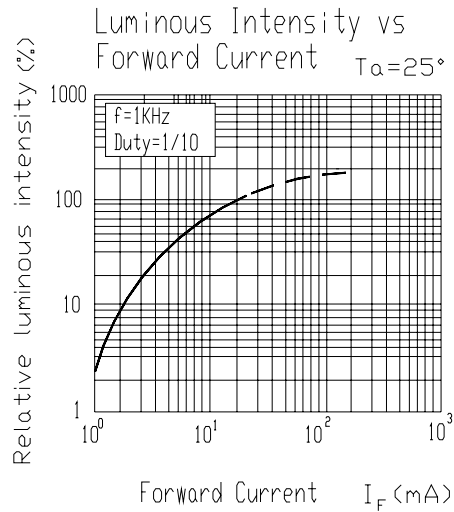
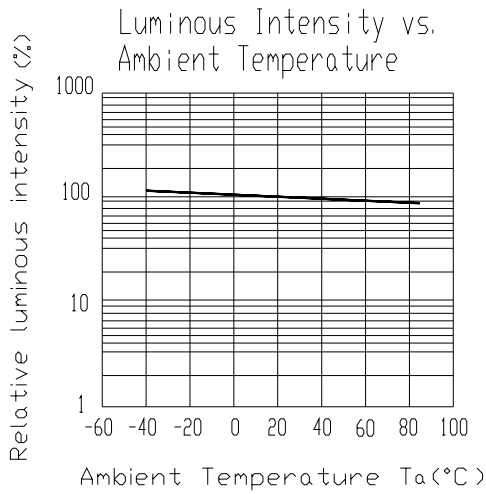
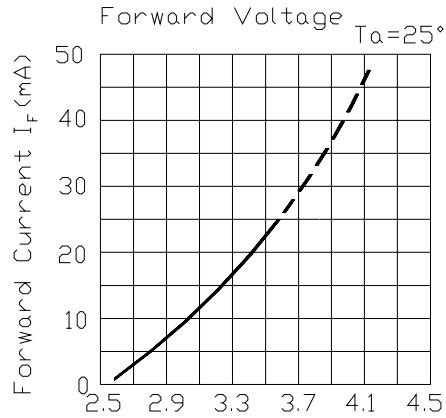
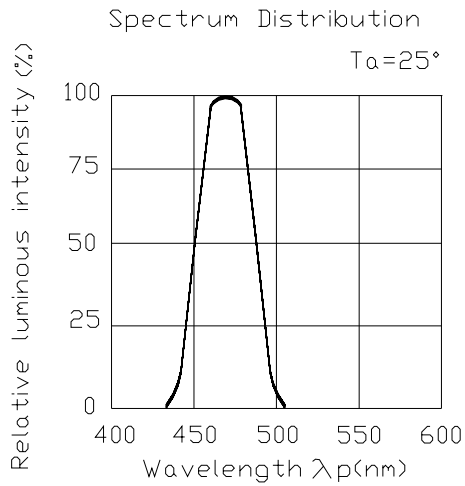
\*The quantity ratio of the ranks is decided by EVERLIGHT.



# Technical Data Sheet

## 3474/BADB-AGKA/XR/MS

### Typical Electro-Optical Characteristics Curves

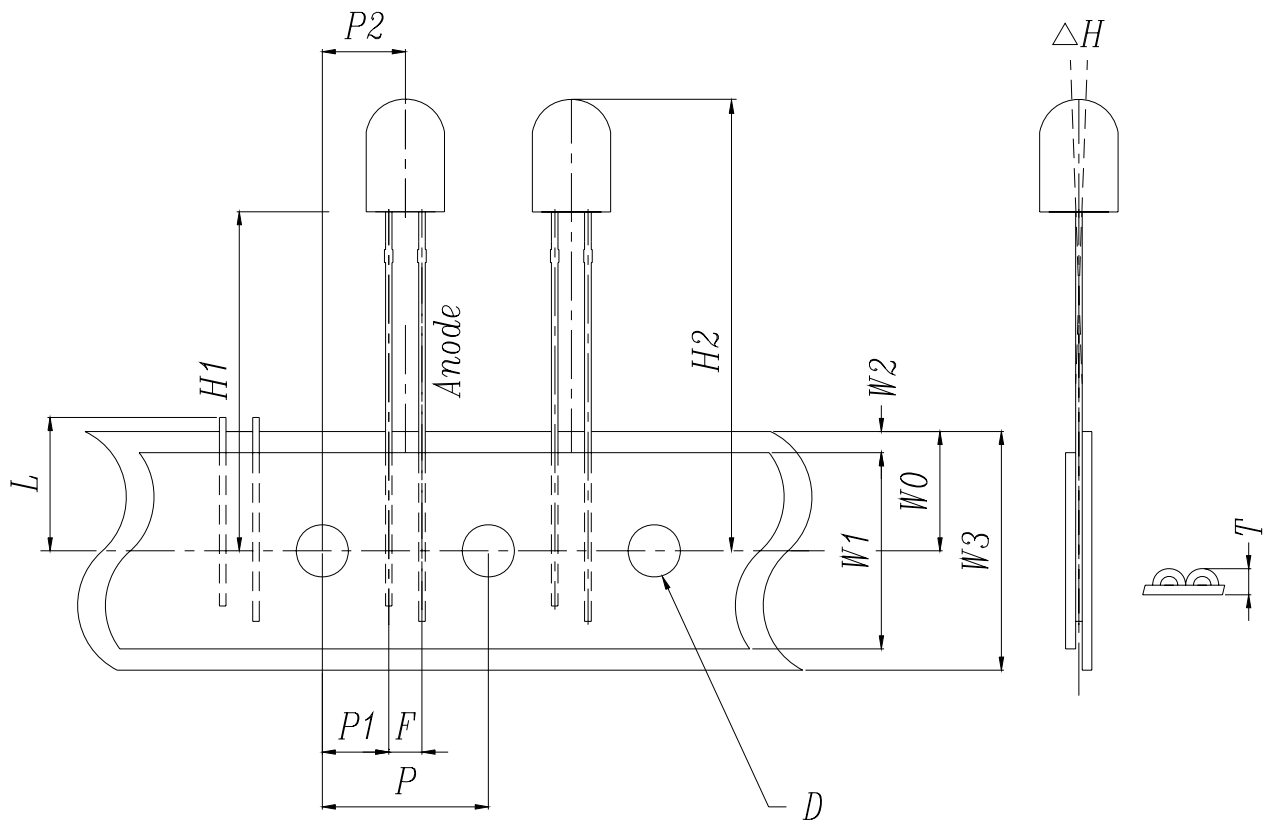




# Technical Data Sheet

**3474/BADB-AGKA/XR/MS**

## Taping Dimensions





## Technical Data Sheet

**3474/BADB-AGKA/XR/MS**

### Taping Sizes

| Symbol Items                          | Symbol | Specifications |       |           |
|---------------------------------------|--------|----------------|-------|-----------|
|                                       |        | Avg.           |       | Tolerance |
|                                       |        | mm             | Inch  | (mm)      |
| Tape Feed Hole Diameter               | D      | 4.00           | 0.157 | ±0.2      |
| Component Lead Pitch                  | F      | 2.54           | 0.100 | ±0.3      |
| Front-to-Read Deflection              | △H     | 2.0            | 0.078 | Max       |
| Feed Hole to Button of Component      | H1     | 18.50          | 0.728 | ±1.0      |
| Feed Hole to Overall Component Height | H2     | 24.8           | 0.976 | ±1.0      |
| Lead Length after Component Removal   | L      | 11.00          | 0.433 | Max       |
| Feed Hole Pitch                       | P      | 12.70          | 0.500 | ±0.3      |
| Lead Location                         | P1     | 5.10           | 0.200 | ±0.7      |
| Center of Component Location          | P2     | 6.35           | 0.250 | ±1.2      |
| Overall Taped Package Thickness       | T      | 1.42           | 0.056 | Max       |
| Feed Hole Location                    | W0     | 9.00           | 0.354 | ±0.5      |
| Adhesive Tape Width                   | W1     | 13.00          | 0.512 | ±0.5      |
| Adhesive Tape Position                | W2     | 4.00           | 0.157 | Max       |
| Tape Width                            | W3     | 18.00          | 0.709 | ±0.75     |



# Technical Data Sheet

**3474/BADB-AGKA/XR/MS**

## Packing Quantity Specification

- 1.2000Pcs/1Box
- 2.10Boxes/1Carton

## Label Form Specification

EVERLIGHT

CPN:  
P/N:  
3474/BADB/AGKA/XR/MS 

QTY :                      CAT:  
LOT NO :                      HUE:  
REF:

MADE IN TAIWAN

- CPN: Customer's Production Number
- P/N : Production Number
- QTY: Packing Quantity
- CAT: Ranks of Luminous Intensity and Forward Voltage
- HUE: Ranks of Dominant Wavelength
- REF: Reference
- LOT No: Lot Number
- MADE IN TAIWAN: Production Place



# Technical Data Sheet

## 3474/BADB-AGKA/XR/MS

### Notes

1. Above specification may be changed without notice. EVERLIGHT will reserve authority on Material change for above specification.
2. When using this product, please observe the absolute maximum ratings and the instructions for using outlined in these specification sheets. EVERLIGHT assumes no responsibility for any damage resulting from use of the product which does not comply with the absolute maximum ratings and the instructions included in these specification sheets.
3. These specification sheets include materials protected under copyright of EVERLIGHT corporation. Please don't reproduce or cause anyone to reproduce them without EVERLIGHT's consent.
4. Soldering Condition

Careful attention should be paid during soldering. When soldering, leave more than 3mm from solder joint to case, and soldering beyond the base of the tie bar is recommended.

Avoiding applying any stress to the lead frame while the LEDs are at high temperature particularly when soldering.

Recommended soldering conditions:

| Hand Soldering       |                                     | DIP Soldering |                          |
|----------------------|-------------------------------------|---------------|--------------------------|
| Temp. at tip of iron | 400°C Max. (30W Max.)               | Preheat temp. | 100°C Max. (60 sec Max.) |
| Soldering time       | 3 sec Max.                          | Bath temp.    | 265 Max.                 |
| Distance             | 3mm Min.(From solder joint to case) | Bath time.    | 5 sec Max.               |
|                      |                                     | Distance      | 3mm Min.                 |

**EVERLIGHT ELECTRONICS CO., LTD.**  
Office: No 25, Lane 76, Sec 3, Chung Yang Rd,  
Tucheng, Taipei 236, Taiwan, R.O.C

Tel: 886-2-2267-2000, 2267-9936  
Fax: 886-2267-6244, 2267-6189, 2267-6306  
<http://www.everlight.com>