



STRUCTURE Silicon Monolithic Integrated Circuit
 PRODUCT NAME Synchronous DC/DC converter controller
 TYPE **BD9040FV**
 FEATURES

- Wide Input Range
- High Precision Reference Voltage
- Built-in over current , output short and over voltage protect with Timer latch.
- Adjustable Frequency
- Available use ceramic capacitor.

●ABSOLUTE MAXIMUM RATINGS (Ta=25°C)

Parameter	Symbol	Limits	Unit
VCC Voltage*	Vcc	20	V
EN Input Voltage	V _{EN}	20	V
SW Voltage	V _{SW}	Vcc	V
BOOT-SW Voltage	V _{BOOT}	6	V
Power Dissipation**	Pd	0.81*	W
Operating Temperature Range	Topr	-40~+85	°C
Storage Temperature Range	Tstg	-55~+150	°C
Maximum Junction Temperature	Tjmax	150	°C

*1 Do not however exceed Pd.

** *2 Pd derated at 6.45mW/°C for temperature above Ta=25°C, Mounted on PCB 70mm×70mm×1.6mm.

●OPERATING CONDITIONS (Ta=-40°C~+85°C)

Parameter	Symbol	Limit			Unit
		Min	Typ	Max	
Supply Voltage ***	Vcc	4.5	12	18	V
RT resistor	RT	39	—	130	kΩ
Oscillator Frequency	fosc	200	—	750	kHz

*** In case of using less than 6V, short to VCC and VREG5.

* This product is not designed for normal operation within a radio active environment.

Status of this document

The Japanese version of this document is the formal specification.

A customer may use this translation version only for a reference to help reading the formal version.

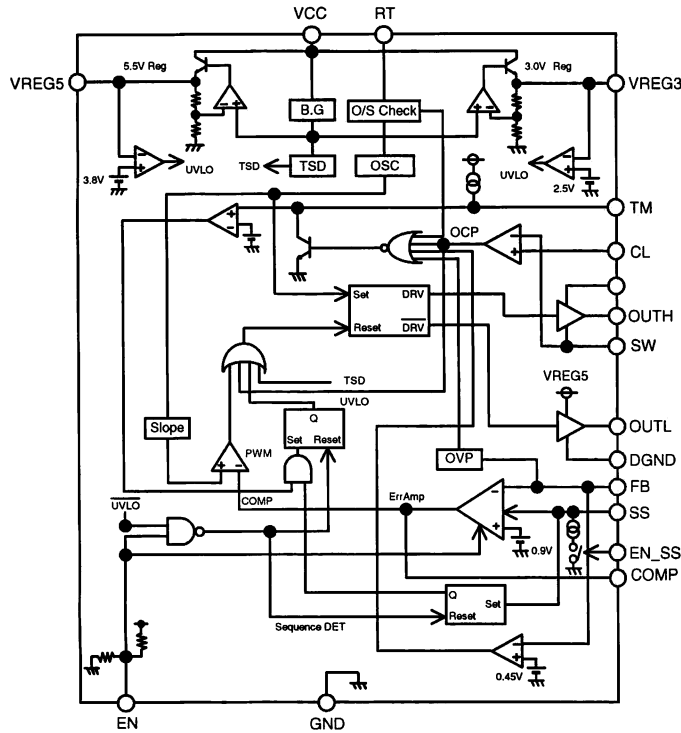
If there are any differences in translation version of this document, formal version takes priority.



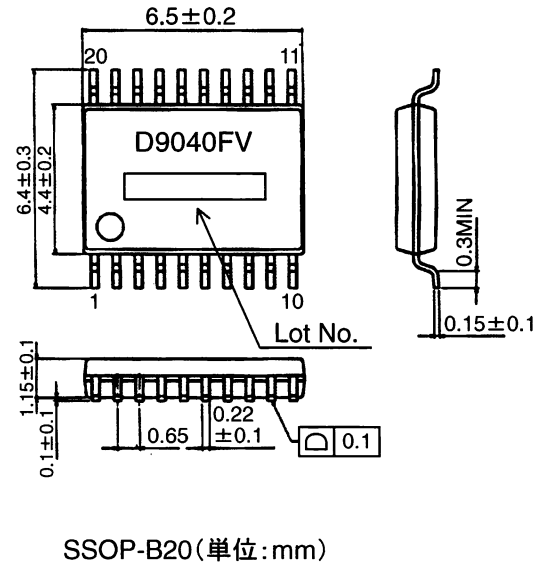
○ELECTRICAL CHARACTERISTICS (Unless otherwise specified, Ta=25°C VCC=12V)

Parameter	Symbol	Limit			Unit	Conditions
		Min	Typ	Max		
VCC Bias Current	ICC	-	3	6	mA	
Stand-by Current	ISTB	-	430	860	μA	VEN=0V
[VREG5]						
Output Voltage	VREG5	5	5.5	6	V	
Load Regulation	VREG5_L	-	20	50	mV	IVREG5=0 to 6mA
[VREG3]						
Output Voltage	VREG3	2.85	3.0	3.15	V	
Load Regulation	VREG3_L	-	10	20	mV	IVREG3=0 to 1mA
[Under Voltage Lock Out]						
VREG5 Threshold Voltage	VREG5_UVLO	3.4	3.8	4.2	V	VREG5:Sweep down
VREG3 Threshold Voltage	VREG3_UVLO	2.4	2.5	2.6	V	VREG3:Sweep down
[Oscillator Section]						
Oscillator Frequency	FOSC	240	300	360	kHz	RT=91 kΩ
[Error Amp]						
VO Bias Current	Ivo+	-	-	1	μA	
Comp Source Current	Isource	-12	-6.5	-2	mA	VFB=1.1V
Comp Sink Current	Isink	-0.75	-1.5	5	mA	VFB=0.7V
Reference Voltage	VOB	0.891	0.900	0.909	V	FB-COMP Short
Output Short Threshold	Vosh	0.37	0.45	0.53	V	VFB:Sweep down
Hysteresis Voltage	ΔVosh	22	45	90	mV	VFB:Sweep up
[Soft Start]						
Charging Current	ISS	-14	-10	-6	μA	Vss=1V
Discharging Current	IDIS	0.6	1.7	5	mA	Vss=1V
Discharging Current2	IDIS2	2.35	3.3	4.62		Vss=1V, VEN_SS=0V
Maximum Voltage	Vss_MAX	1.75	1.95	2.15	V	
Stand-by Voltage	Vss_STB	-	-	0.3	V	
[Over Current Protect]						
CL Input Current	Iswin	9	10	11	μA	VCL=Vcc-0.2V
[Over Voltage Protect]						
Threshold Voltage	Vovp	1.06	1.1	1.14	V	
[Timer latch]						
Charging Current	ITM	-14	-10	-6	μA	VTM=1V
Threshold Voltage	Vth_TM	0.9	1	1.1	V	
TM Sink Current	IOFFS	0.6	1.7	5	mA	VTM =0.5V
[CTL]						
EN Pull-up Resistor	REN	150	300	450	kΩ	
EN_SS Pull-up Resistor	REN_SS	150	300	450	kΩ	

○BLOCK DIAGRAM



○PHYSICAL DIMENSIONS-MARKING



○Pin No.・Pin Name

Pin No.	Pin Name	Function	Pin No.	Pin Name	Function
1	EN_SS	SS Discharge Delay ON/OFF Control	11	VCC	Power Input
2	RT	Connect to External Resistor Setting Operating Frequency	12	N.C	Non Connect
3	TM	Timer Latch Setting Terminal By External Capacitor	13	N.C	Non Connect
4	SS	Soft Start	14	VREG5	5V Regulator Output
5	COMP	Error Amp Output	15	OUTL	Low Side FET Gate Drive
6	FB	Error Amp Inverting Input	16	DGND	Low Side FET Source
7	EN	Control Voltage Input	17	SW	High Side FET Source
8	N.C	Non Connect	18	OUTH	High Side FET Gate Driver
9	VREG3	Regulator Output	19	BOOT	OUTH1 Driver Supply Input
10	GND	Ground	20	CL	OCP Setting terminal By External Resistance

NOTES FOR USE

1. Absolute maximum range
Absolute Maximum Ratings are those values beyond which the life of a device may be destroyed we cannot be defined the failure mode, such as short mode or open mode.
Therefore physical security countermeasure, like fuse, is to be given when a specific mode to be beyond absolute maximum ratings is considered.
2. GND pin voltage
GND terminal should be connected the lowest voltage, under all conditions. And all terminals except SW should be under GND terminal voltage under all conditions including transient situations. If a terminal exists under GND, it should be inserting a bypass route.
3. Power dissipation
If IC is used on condition that the power loss is over the power dissipation, the reliability will become worse by heat up, such as reduced output current capability.
Also, be sure to use this IC within a power dissipation range allowing enough of margin.
4. Input supply voltage
Input supply pattern layout should be as short as possible.
5. Electrical characteristics described in these specifications may vary, depending on temperature, supply voltage, external circuits and other conditions. Therefore, be sure to check all relevant factors, including transient characteristics.
6. Thermal Shut Down Circuit
A temperature control is built in the IC to prevent the damage due to overheat. Therefore, the output is turned off when the thermal circuit works and are turned on when the temperature goes down to the specified level.
7. Mounting Failures
Mounting failure, such as misdirection or mount's error, may cause a malfunction in the device.
8. Internal circuits or elements may be damaged when Vcc and pin voltage are reversed. For example, Vcc short circuit to GND while a external capacitor is charged. Pin capacitors of Vreg5 and VREG3 output are recommended 1 μ F and 0.1 μ F . In addition, inserting a Vcc series countercurrent prevention diode, or a bypass diode between the various pins and the Vcc, is recommended.
9. Malfunction may be happened when the device is used in the strong electromagnetic field.
10. We recommend to put Diode for protection purpose in case of output pin connected with large load of impedance or reserve current occurred at initial and output off.
11. Precautions for board inspection
Connecting low-impedance capacitors to run inspections with the board may produce stress on the IC. Therefore, be certain to use proper discharge procedure before each process of the test operation.
To prevent electrostatic accumulation and discharge in the assembly process, thoroughly ground yourself and any equipment that could sustain ESD damage, and continue observing ESD-prevention procedures in all handing, transfer and storage operations. Before attempting to connect components to the test setup, make certain that the power supply is OFF. Likewise, be sure the power supply is OFF before removing any component connected to the test setup.
12. GND pattern
When both a small-signal GND and high current GND are present, single-point grounding (at the set standard point) is recommended, in order to separate the small-signal and high current patterns, and to be sure the voltage change stemming from the wiring resistance and high current does not cause any voltage change in the small-signal GND. In the same way, care must be taken to avoid voltage fluctuations in any connected external component GND.
13. SW Terminal
A counter-electromotive force may generate a negative potential at the SW terminal during connection to the particular application. Therefore, it should be inserting a bypass route between SW to GND.
14. Output Load
When EN is Low, UVLO active and timer latch active, SW terminal output a few current .
In case of output load is less than 1mA in Application, output should be connected under 1k Ω resister to GND.

Notes

- No technical content pages of this document may be reproduced in any form or transmitted by any means without prior permission of ROHM CO.,LTD.
- The contents described herein are subject to change without notice. The specifications for the product described in this document are for reference only. Upon actual use, therefore, please request that specifications to be separately delivered.
- Application circuit diagrams and circuit constants contained herein are shown as examples of standard use and operation. Please pay careful attention to the peripheral conditions when designing circuits and deciding upon circuit constants in the set.
- Any data, including, but not limited to application circuit diagrams information, described herein are intended only as illustrations of such devices and not as the specifications for such devices. ROHM CO.,LTD. disclaims any warranty that any use of such devices shall be free from infringement of any third party's intellectual property rights or other proprietary rights, and further, assumes no liability of whatsoever nature in the event of any such infringement, or arising from or connected with or related to the use of such devices.
- Upon the sale of any such devices, other than for buyer's right to use such devices itself, resell or otherwise dispose of the same, no express or implied right or license to practice or commercially exploit any intellectual property rights or other proprietary rights owned or controlled by
- ROHM CO., LTD. is granted to any such buyer.
- Products listed in this document are no antiradiation design.

The products listed in this document are designed to be used with ordinary electronic equipment or devices (such as audio visual equipment, office-automation equipment, communications devices, electrical appliances and electronic toys).

Should you intend to use these products with equipment or devices which require an extremely high level of reliability and the malfunction of which would directly endanger human life (such as medical instruments, transportation equipment, aerospace machinery, nuclear-reactor controllers, fuel controllers and other safety devices), please be sure to consult with our sales representative in advance.

About Export Control Order in Japan

Products described herein are the objects of controlled goods in Annex 1 (Item 16) of Export Trade Control Order in Japan.

In case of export from Japan, please confirm if it applies to "objective" criteria or an "informed" (by MITI clause) on the basis of "catch all controls for Non-Proliferation of Weapons of Mass Destruction.

Thank you for your accessing to ROHM product informations.
More detail product informations and catalogs are available,
please contact your nearest sales office.

Please contact our sales offices for details ;

U.S.A / San Diego	TEL : +1(858)625-3630	FAX : +1(858)625-3670
Atlanta	TEL : +1(770)754-5972	FAX : +1(770)754-0691
Dallas	TEL : +1(972)312-8818	FAX : +1(972)312-0330
Germany / Dusseldorf	TEL : +49(2154)9210	FAX : +49(2154)921400
United Kingdom / London	TEL : +44(1)908-282-666	FAX : +44(1)908-282-528
France / Paris	TEL : +33(0)1 56 97 30 60	FAX : +33(0) 1 56 97 30 80
China / Hong Kong	TEL : +852(2)740-6262	FAX : +852(2)375-8971
Shanghai	TEL : +86(21)6279-2727	FAX : +86(21)6247-2066
Dilian	TEL : +86(411)8230-8549	FAX : +86(411)8230-8537
Beijing	TEL : +86(10)8525-2483	FAX : +86(10)8525-2489
Taiwan / Taipei	TEL : +866(2)2500-6956	FAX : +866(2)2503-2869
Korea / Seoul	TEL : +82(2)8182-700	FAX : +82(2)8182-715
Singapore	TEL : +65-6332-2322	FAX : +65-6332-5662
Malaysia / Kuala Lumpur	TEL : +60(3)7958-8355	FAX : +60(3)7958-8377
Philippines / Manila	TEL : +63(2)807-6872	FAX : +63(2)809-1422
Thailand / Bangkok	TEL : +66(2)254-4890	FAX : +66(2)256-6334

Japan /
(Internal Sales)

Tokyo	2-1-1, Yaesu, Chuo-ku, Tokyo 104-0082	TEL : +81(3)5203-0321	FAX : +81(3)5203-0300
Yokohama	2-4-8, Shin Yokohama, Kohoku-ku, Yokohama, Kanagawa 222-8575	TEL : +81(45)476-2131	FAX : +81(45)476-2128
Nagoya	Dainagayo Building 9F 3-28-12, Meieki, Nakamura-ku, Nagoya, Aichi 450-0002	TEL : +81(52)581-8521	FAX : +81(52)561-2173
Kyoto	579-32 Higashi Shiokouji-cho, Karasuma Nishi-iru, Shiokoujidori, Shimogyo-ku, Kyoto 600-8216	TEL : +81(75)311-2121	FAX : +81(75)314-6559

(Contact address for overseas customers in Japan)

Yokohama	TEL : +81(45)476-9270	FAX : +81(045)476-9271
----------	-----------------------	------------------------