

Structure Silicon Monolithic Integrated Circuit  
 Product name Low voltage operation video driver with LPF

Type

**BH76912GU**

Outer dimensions Fig.1 VCSP85H1

Function

- Built in 12dB AMP.
- Built in standby function
- Built in LPF (8 order) (f=4.5MHz)
- No output coupling capacitor required

※ Radiation resistance is not included in the design.

■ Absolute Maximum Ratings (Ta=25°C)

Parameter	Symbol	Limits	Unit
Supply voltage	Vcc	3.55	V
Power dissipation	Pd	580	mW
Operating temperature	Topr	-40~+85	°C
Storage temperature	Tstg	-55~+125	°C

\* In case mounting the ROHM standard application board (50mm × 58mm × 1.6mm)

\* Deratings is done at 5.8mW/°C above Ta=25°C

■ Operating range (Ta=25°C)

Parameter	Symbol	Min.	Typ.	Max.	Unit
Supply voltage	Vcc	2.5	3.0	3.45	V

■Electrical characteristics 【Unless otherwise noted, Ta=25°C, VCC=3V】

Parameter		Symbol	Limits			Unit	conditions
			Min.	Typ.	Max.		
Circuit current	ACTIVE	I <sub>CC1</sub>	—	15	25	mA	No signal
	STANDBY	I <sub>CC2</sub>	—	0.0	2	μA	Standby mode
Voltage gain		G <sub>V</sub>	+11.5	+12.0	+12.5	dB	V <sub>in</sub> =100KHz,0.5Vpp
Maximum output level		V <sub>omv</sub>	4.5	5.2	—	Vpp	f=10KHz, THD=1%
Frequency characteristics	1	G <sub>F1</sub>	-0.95	-0.2	0.2	dB	V <sub>in</sub> =0.5Vpp f=4.5MHz/100KHz
	2	G <sub>F2</sub>	-5.0	-1.5	-0.5	dB	V <sub>in</sub> =0.5Vpp f=8.0MHz/100KHz
	3	G <sub>F3</sub>	—	-26	-18	dB	V <sub>in</sub> =0.5Vpp f=18MHz/100KHz
Differential Gain		D <sub>G</sub>	—	0.5	3.0	%	V <sub>IN</sub> = 0.5Vpp Standard stair step signal
Differential Phase		D <sub>P</sub>	—	1.0	3.0	deg	V <sub>IN</sub> = 0.5Vpp Standard stair step signal
Output pin source current		I <sub>extin</sub>	15	30	—	mA	Add 4.5V to Output pin through 150Ω
Output DC offset		V <sub>off</sub>	-50	0	50	mV	No signal V <sub>off</sub> =(V <sub>out</sub> pin voltage) ÷ 2
Standby SW Change Voltage	High Level	V <sub>thH</sub>	1.2	—	V <sub>cc</sub>	V	ACTIVE mode
	Low Level	V <sub>thL</sub>	0	—	0.45	V	STANDBY mode
Standby SW Input Current High Level		I <sub>thH</sub>	35	45	60	μA	3.0V is applied to B3
Input Impedance		R <sub>in</sub>	105	150	195	kΩ	1.0V is applied to A3 Input current measurement

■Control pin settings

Parameter	Status	Operational mode
STANDBY (B3)	H	ACTIVE
	L	STANDBY
	OPEN	

■ Outer dimensions • PIN arrangements

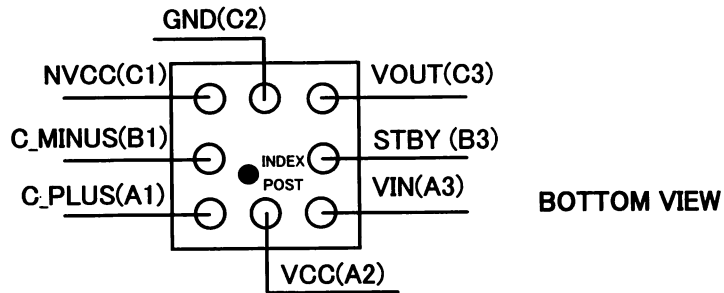
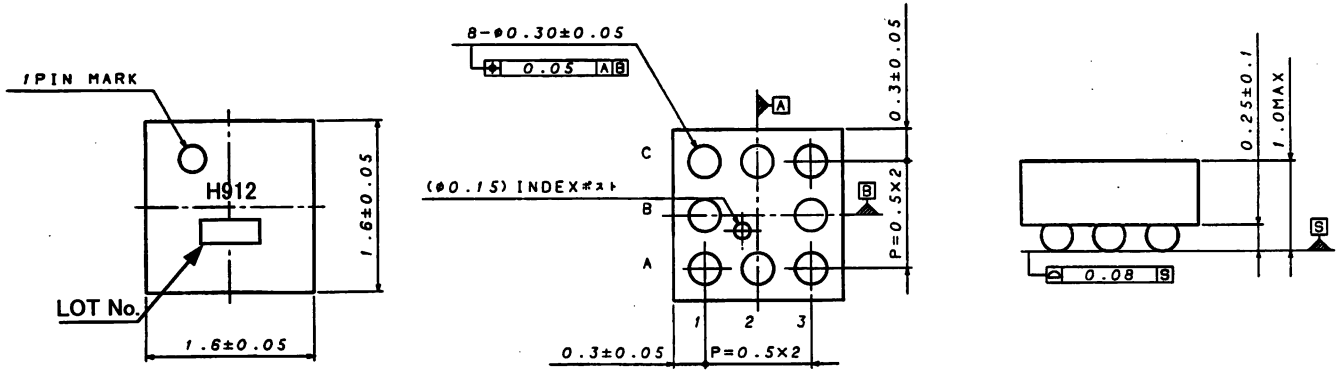
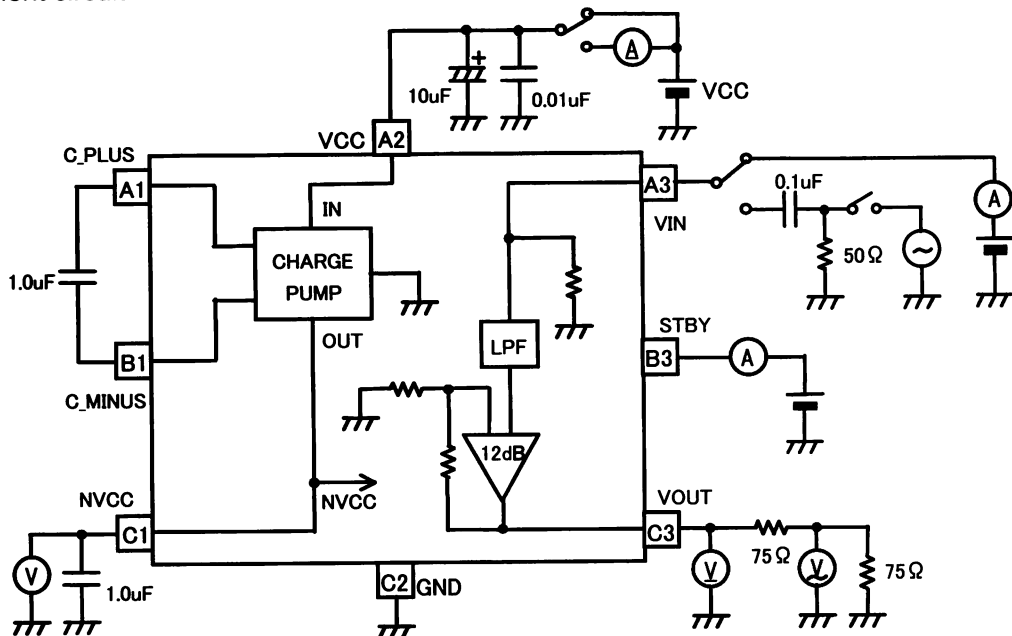


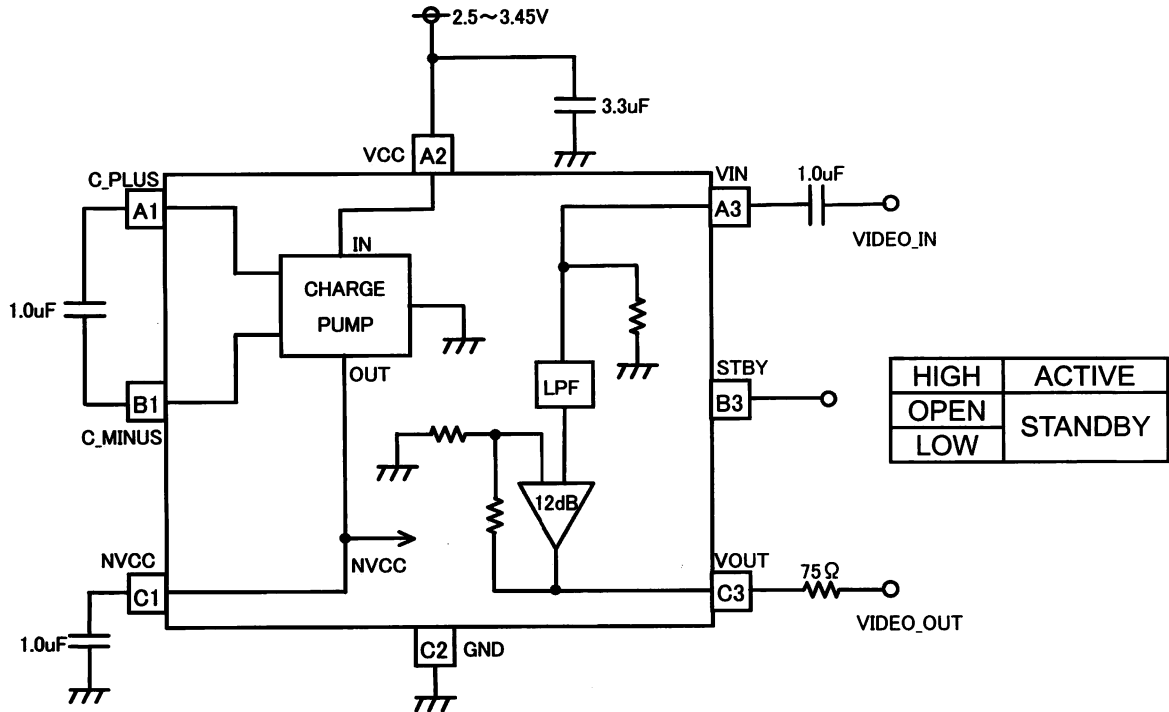
Fig.1

■ Measurement circuit



※ Measurement circuit is intended for shipment inspections, and differs from application circuit.

■ Application circuit



■ Cautions on use

(1) Layout of decoupling capacitor

As the wiring length of decoupling capacitor between VCC terminal (A2) and GND terminal (C2) becomes longer, the noise quality becomes worse. Make an enough consideration about the layout of decoupling capacitor.

(2) Absolute maximum ratings

If applied voltage, operating temperature range, or other absolute maximum ratings are exceeded, the LSI may be damaged. Do not apply voltages or temperatures that exceed the absolute maximum ratings. If you think of a case in which absolute maximum ratings are exceeded, enforce fuses or other physical safety measures and investigate how not to apply the conditions under which absolute maximum ratings are exceeded to LSI.

(3) Operation in strong magnetic fields

Adequately evaluate use in a strong magnetic field, since there is a possibility of malfunction.

### Notes

- No technical content pages of this document may be reproduced in any form or transmitted by any means without prior permission of ROHM CO.,LTD.
- The contents described herein are subject to change without notice. The specifications for the product described in this document are for reference only. Upon actual use, therefore, please request that specifications to be separately delivered.
- Application circuit diagrams and circuit constants contained herein are shown as examples of standard use and operation. Please pay careful attention to the peripheral conditions when designing circuits and deciding upon circuit constants in the set.
- Any data, including, but not limited to application circuit diagrams information, described herein are intended only as illustrations of such devices and not as the specifications for such devices. ROHM CO.,LTD. disclaims any warranty that any use of such devices shall be free from infringement of any third party's intellectual property rights or other proprietary rights, and further, assumes no liability of whatsoever nature in the event of any such infringement, or arising from or connected with or related to the use of such devices.
- Upon the sale of any such devices, other than for buyer's right to use such devices itself, resell or otherwise dispose of the same, no express or implied right or license to practice or commercially exploit any intellectual property rights or other proprietary rights owned or controlled by
- ROHM CO., LTD. is granted to any such buyer.
- Products listed in this document are no antiradiation design.

The products listed in this document are designed to be used with ordinary electronic equipment or devices (such as audio visual equipment, office-automation equipment, communications devices, electrical appliances and electronic toys).

Should you intend to use these products with equipment or devices which require an extremely high level of reliability and the malfunction of which would directly endanger human life (such as medical instruments, transportation equipment, aerospace machinery, nuclear-reactor controllers, fuel controllers and other safety devices), please be sure to consult with our sales representative in advance.

#### About Export Control Order in Japan

Products described herein are the objects of controlled goods in Annex 1 (Item 16) of Export Trade Control Order in Japan.

In case of export from Japan, please confirm if it applies to "objective" criteria or an "informed" (by MITI clause) on the basis of "catch all controls for Non-Proliferation of Weapons of Mass Destruction.

Thank you for your accessing to ROHM product informations.  
More detail product informations and catalogs are available,  
please contact your nearest sales office.

Please contact our sales offices for details ;

U.S.A / San Diego	TEL : +1(858)625-3630	FAX : +1(858)625-3670
Atlanta	TEL : +1(770)754-5972	FAX : +1(770)754-0691
Dallas	TEL : +1(972)312-8818	FAX : +1(972)312-0330
Germany / Dusseldorf	TEL : +49(2154)9210	FAX : +49(2154)921400
United Kingdom / London	TEL : +44(1)908-282-666	FAX : +44(1)908-282-528
France / Paris	TEL : +33(0)1 56 97 30 60	FAX : +33(0) 1 56 97 30 80
China / Hong Kong	TEL : +852(2)740-6262	FAX : +852(2)375-8971
Shanghai	TEL : +86(21)6279-2727	FAX : +86(21)6247-2066
Dilian	TEL : +86(411)8230-8549	FAX : +86(411)8230-8537
Beijing	TEL : +86(10)8525-2483	FAX : +86(10)8525-2489
Taiwan / Taipei	TEL : +866(2)2500-6956	FAX : +866(2)2503-2869
Korea / Seoul	TEL : +82(2)8182-700	FAX : +82(2)8182-715
Singapore	TEL : +65-6332-2322	FAX : +65-6332-5662
Malaysia / Kuala Lumpur	TEL : +60(3)7958-8355	FAX : +60(3)7958-8377
Philippines / Manila	TEL : +63(2)807-6872	FAX : +63(2)809-1422
Thailand / Bangkok	TEL : +66(2)254-4890	FAX : +66(2)256-6334

Japan /  
(Internal Sales)

Tokyo	2-1-1, Yaesu, Chuo-ku, Tokyo 104-0082	TEL : +81(3)5203-0321	FAX : +81(3)5203-0300
Yokohama	2-4-8, Shin Yokohama, Kohoku-ku, Yokohama, Kanagawa 222-8575	TEL : +81(45)476-2131	FAX : +81(45)476-2128
Nagoya	Dainagayo Building 9F 3-28-12, Meieki, Nakamura-ku, Nagoya, Aichi 450-0002	TEL : +81(52)581-8521	FAX : +81(52)561-2173
Kyoto	579-32 Higashi Shiokouji-cho, Karasuma Nishi-iru, Shiokoujidori, Shimogyo-ku, Kyoto 600-8216	TEL : +81(75)311-2121	FAX : +81(75)314-6559

(Contact address for overseas customers in Japan)

Yokohama	TEL : +81(45)476-9270	FAX : +81(045)476-9271
----------	-----------------------	------------------------