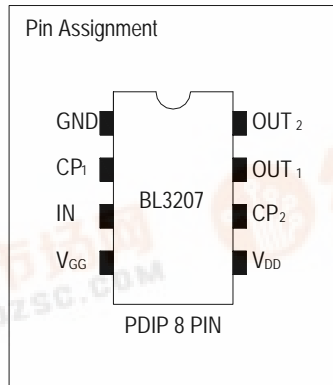


**Description**

The BL3207A/B is a 1024-stage low voltage operation, and low noise BBD variable delay line in audio frequency range. The device operates on +5V to +10V supply and provides a signal delay up to 51.2ms.



**Features**

- Adjustable audio signal delay time range: 2.56ms-51.2ms
- Wide supply voltage range: 4V-10V
- Typical insertion loss:  $L_i=0\text{dB}$
- Wide dynamic range:  $S/N=73\text{dB}$ (type)
- Low distortion:  $\text{THD}=0.4\%$ (type)
- Clock frequency range: 10kHz-200kHz
- N-channel silicon gate process
- 8-pin plastic DIP

**Application**

KARAOKE, TV, VCR. Radio-Cassette Tape Recorder etc.

**Application Circuit**

