

BRIGHT LED ELECTRONICS CORP.

BL-HE1G033B-TRB

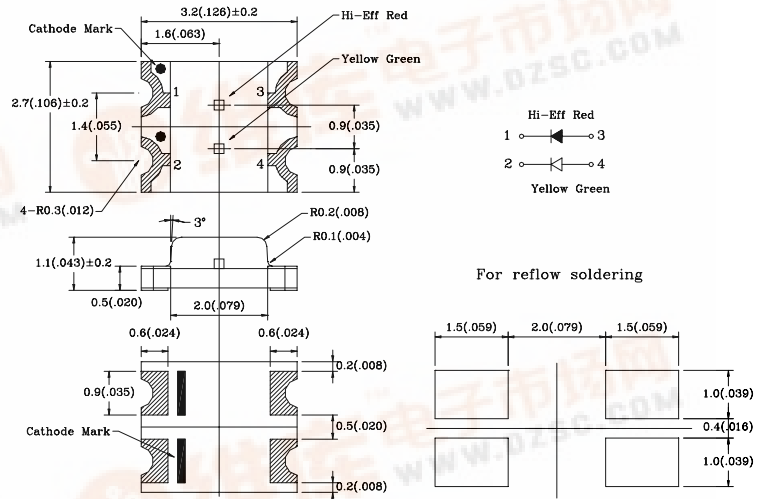
● Features:

1. Emitted Color :Hi-Eff Red and Yellow Green
2. Lens Appearance : Water Clear.
3. Bi-color type.
4. 3.2x2.7x1.1mm(1210) standard package.
5. Suitable for all SMT assembly methods.
6. Compatible with infrared and vapor phase reflow solder process.
7. Compatible with automatic placement equipment.
8. This product doesn't contain restriction Substance, comply ROHS standard.

● Applications:

1. Automotive : Dashboards, stop lamps, turn signals.
2. Backlighting : LCDs, Key pads advertising.
3. Status indicators : Consumer & industrial electronics.
4. General use.

● Package Dimensions:



NOTES:

1. All dimensions are in millimeters (inches).
2. Tolerance is $\pm 0.10\text{mm}$ ($0.004''$) unless otherwise specified.
3. Specifications are subject to change without notice.

● Absolute Maximum Ratings($T_a=25^\circ\text{C}$)

| Parameter | Symbol | Hi-Eff Red | Yellow Green | Unit |
|--------------------------|-----------|--------------|--------------|------|
| Power Dissipation | P_d | 80 | 80 | mW |
| Forward Current | I_F | 30 | 30 | mA |
| Peak Forward Current * 1 | I_{FP} | 100 | 100 | mA |
| Reverse Voltage | V_R | 5 | | V |
| Operating Temperature | T_{opr} | -25°C ~ 80°C | | - |
| Storage Temperature | T_{stg} | -30°C ~ 85°C | | - |
| Soldering Temperature | T_{sol} | See Page 5 | | - |

* 1 Condition for I_{FP} is pulse of 1/10 duty and 0.1msec width.



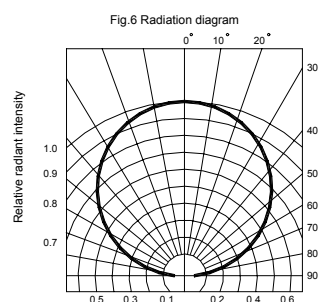
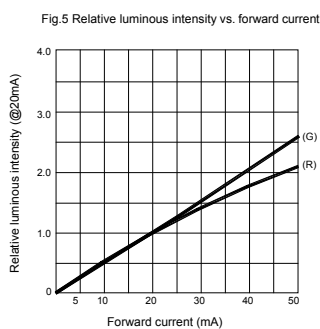
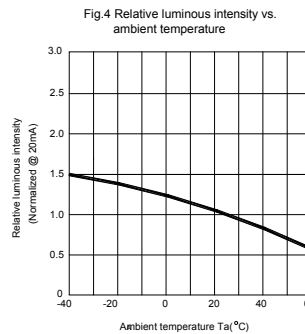
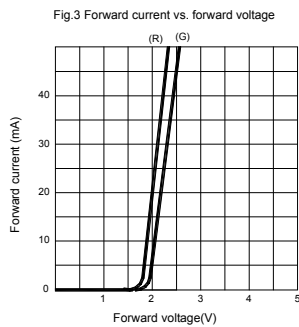
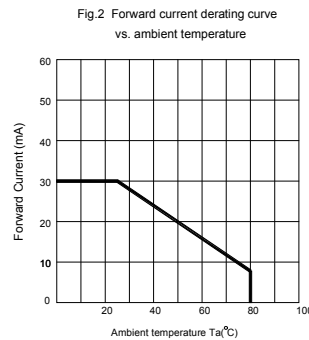
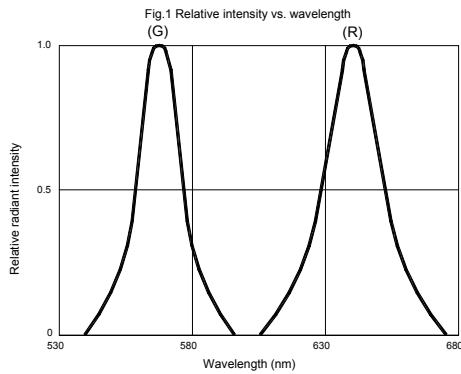
BRIGHT LED ELECTRONICS CORP.

BL-HE1G033B-TRB

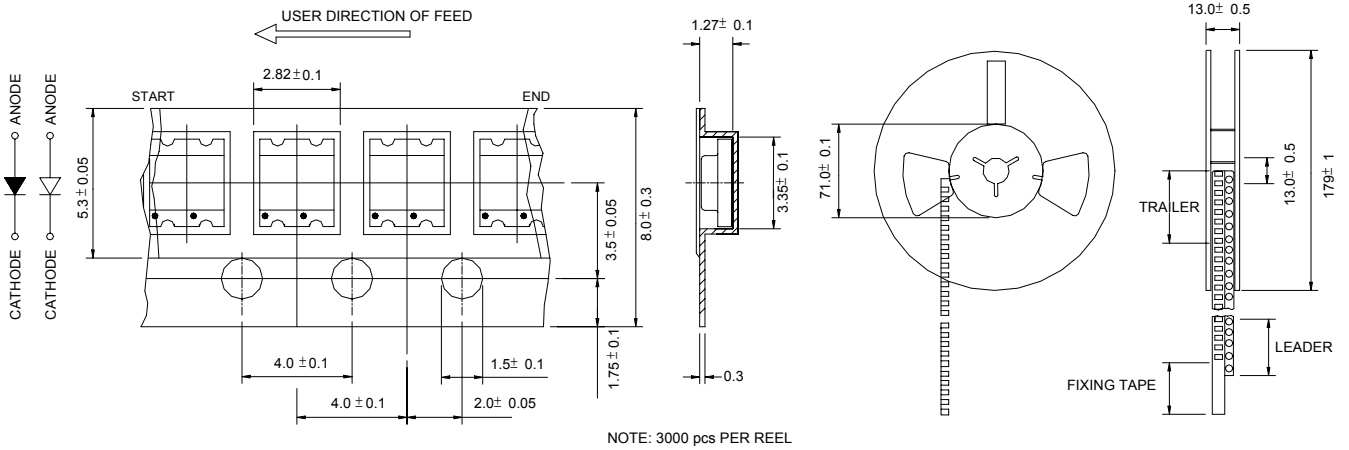
● Electrical and optical characteristics(Ta=25°C)

| Parameter | Symbol | Condition | Color | Min. | Typ. | Max. | Unit |
|--------------------------|-------------------|----------------------|----------------------------|------------|-------------|------------|------|
| Forward Voltage | V _f | I _F =20mA | Hi-Eff Red Yellow Green | - | 2.0 2.2 | 2.6 2.6 | V |
| Luminous Intensity | I _v | I _F =20mA | Hi-Eff Red Yellow Green | 3.7 2.4 | 10.0 8.0 | - | mcd |
| Reverse Current | I _R | V _R =5V | Hi-Eff Red Yellow Green | - | - | 100 | μA |
| Peak Wave Length | λ _p | I _F =20mA | Hi-Eff Red Yellow Green | - | 640 568 | - | nm |
| Dominant Wave Length | λ _d | I _F =20mA | Hi-Eff Red Yellow Green | 624 566 | | 638 576 | nm |
| Spectral Line Half-width | Δλ | I _F =20mA | Hi-Eff Red Yellow Green | - | 40 30 | - | nm |
| Viewing Angle | 2θ _{1/2} | I _F =20mA | Hi-Eff Red Yellow Green | - | 120 | - | deg |

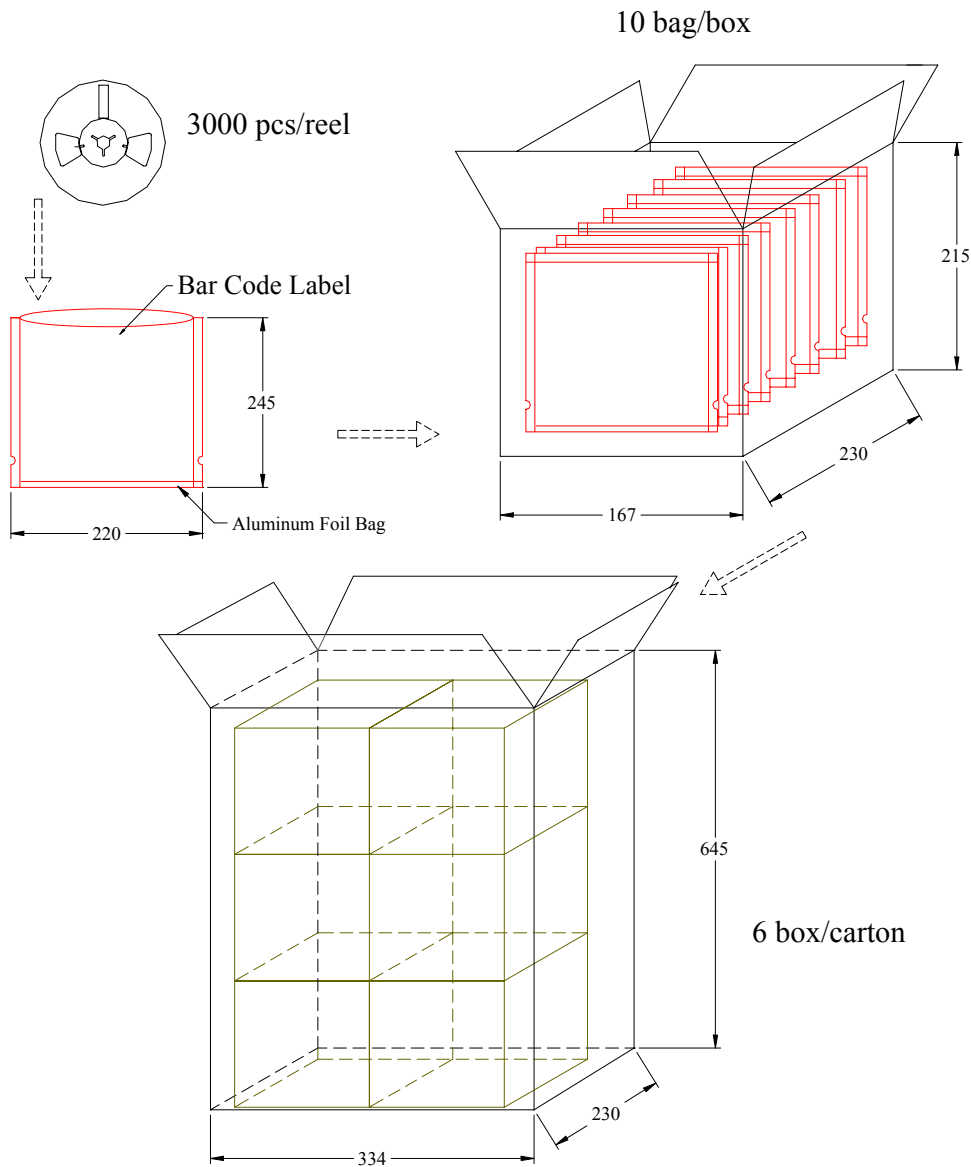
● Typical Electro-Optical Characteristics Curves



● Tapping and packaging specifications(Units: mm)



● Package Method:(unit:mm)





BRIGHT LED ELECTRONICS CORP.

BL-HE1G033B-TRB

● Bin Limits

Intensity Bin Limits (E1) (At 20mA)

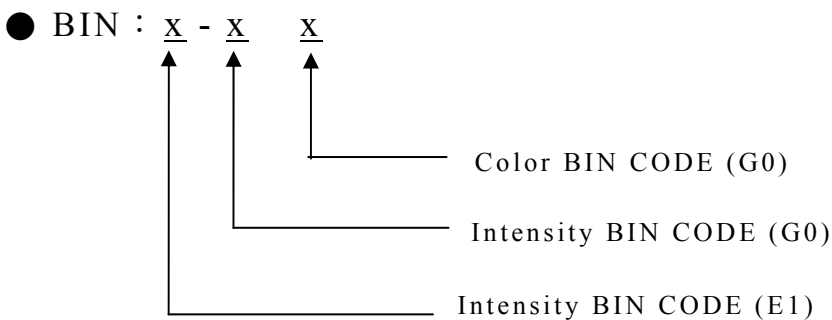
| BIN CODE | Min. (mcd) | Max. (mcd) |
|----------|------------|------------|
| G | 3.2 | 6.3 |
| H | 4.8 | 9.4 |
| J | 7.0 | 14.0 |
| K | 11.0 | 21.0 |

Intensity Bin Limits (G0) (At 20mA)

| BIN CODE | Min. (mcd) | Max. (mcd) |
|----------|------------|------------|
| F | 2.1 | 4.2 |
| G | 3.2 | 6.3 |
| H | 4.8 | 9.4 |
| J | 7.0 | 14.0 |

Color Bin Limits (G0) (At 20mA)

| BIN CODE | Min. (nm) | Max. (nm) |
|----------|-----------|-----------|
| 4 | 565 | 569 |
| 5 | 567 | 571 |
| 6 | 569 | 573 |
| 7 | 571 | 575 |
| 8 | 573 | 577 |





BRIGHT LED ELECTRONICS CORP.

BL-HE1G033B-TRB

● Reliability Test

| Classification | Test Item | Reference Standard | Test Conditions | Result |
|--------------------|--|---|--|--------|
| Endurance Test | Operation Life | MIL-STD-750:1026 MIL-STD-883:1005 JIS-C-7021 :B-1 | Connect with a power $I_f=20\text{mA}$ T_a =Under room temperature Test time=1,000hrs | 0/20 |
| | High Temperature High Humidity Storage | MIL-STD-202:103B JIS-C-7021 :B-11 | $T_a=+65^\circ\text{C}\pm 5^\circ\text{C}$ RH=90%-95% Test time=240hrs | 0/20 |
| | High Temperature Storage | MIL-STD-883:1008 JIS-C-7021 :B-10 | High $T_a=+85^\circ\text{C}\pm 5^\circ\text{C}$ Test time=1,000hrs | 0/20 |
| | Low Temperature Storage | JIS-C-7021 :B-12 | Low $T_a=-35^\circ\text{C}\pm 5^\circ\text{C}$ Test time=1,000hrs | 0/20 |
| Environmental Test | Temperature Cycling | MIL-STD-202:107D MIL-STD-750:1051 MIL-STD-883:1010 JIS-C-7021 :A-4 | $-35^\circ\text{C} \sim +25^\circ\text{C} \sim +85^\circ\text{C} \sim +25^\circ\text{C}$ 60min 20min 60min 20min Test Time=5cycle | 0/20 |
| | Thermal Shock | MIL-STD-202:107D MIL-STD-750:1051 MIL-STD-883:1011 | $-35^\circ\text{C}\pm 5^\circ\text{C} \sim +85^\circ\text{C}\pm 5^\circ\text{C}$ 20min 20min Test Time=10cycle | 0/20 |
| | Solder Resistance | MIL-STD-202:201A MIL-STD-750:2031 JIS-C-7021 :A-1 | Preheating : $140^\circ\text{C}-160^\circ\text{C}$, within 2 minutes. Operation heating : 235°C (Max.), within 10seconds. (Max.) | 0/20 |

● Judgment criteria of failure for the reliability

| Measuring items | Symbol | Measuring conditions | Judgement criteria for failure |
|--------------------|-------------------------|----------------------|--------------------------------|
| Forward voltage | V_F (V) | $I_F=20\text{mA}$ | Over $U \times 1.2$ |
| Reverse current | I_R (μA) | $V_R=5\text{V}$ | Over $U \times 2$ |
| Luminous intensity | I_v (mcd) | $I_F=20\text{mA}$ | Below $S \times 0.5$ |

Note: 1.U means the upper limit of specified characteristics. S means initial value.

2.Measurment shall be taken between 2 hours and after the test pieces have been returned to normal ambient conditions after completion of each test.

● Soldering :

1. Manual Of Soldering

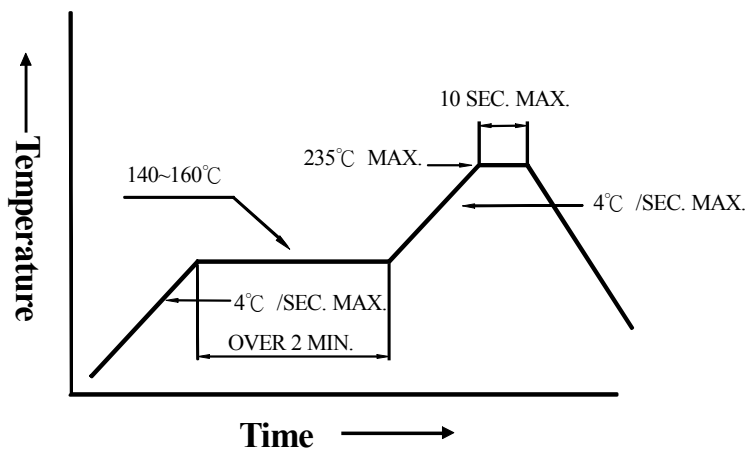
The temperature of the iron tip should not be higher than 300°C (572°F) and Soldering within 3 seconds per solder-land is to be observed.

2. Reflow Soldering

Preheating : 140°C~160°C ±5°C ,within 2 minutes.

Operation heating : 235°C (Max.) within 10 seconds.(Max)

Gradual Cooling (Avoid quenching).

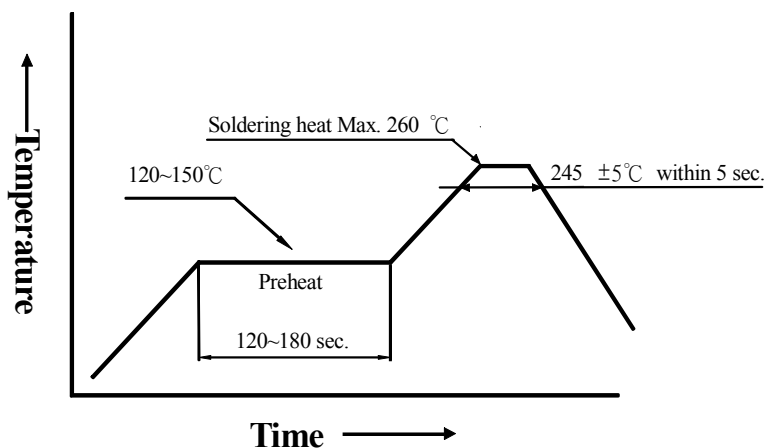


3. DIP soldering (Wave Soldering) :

Preheating : 120°C~150°C ,within 120~180 sec.

Operation heating : 245°C ±5°C within 5 sec. 260°C (Max)

Gradual Cooling (Avoid quenching).



● Handling :

Care must be taken not to cause to the epoxy resin portion of BRIGHT LEDs while it is exposed to high temperature.

Care must be taken not rub the epoxy resin portion of BRIGHT LEDs with hard or sharp article such as the sand blast and the metal hook.



BRIGHT LED ELECTRONICS CORP.

BL-HE1G033B-TRB

● Notes for designing:

Care must be taken to provide the current limiting resistor in the circuit so as to drive the BRIGHT LEDs within the rated figures. Also, caution should be taken not to overload BRIGHT LEDs with instantaneous voltage at the turning ON and OFF of the circuit.

When using the pulse drive care must be taken to keep the average current within the rated figures. Also, the circuit should be designed so as to be subjected to reverse voltage when turning off the BRIGHT LEDs.

● Storage:

In order to avoid the absorption of moisture, it is recommended to solder BRIGHT LEDs as soon as possible after unpacking the sealed envelope.

If the envelope is still packed, to store it in the environment as following:

- (1) Temperature : 5°C-30°C (41°F) Humidity : RH 60% Max.
- (2) After this bag is opened, devices that will be applied to infrared reflow, vapor-phase reflow, or equivalent soldering process must be:
 - a. Completed within 24 hours.
 - b. Stored at less than 30% RH.
- (3) Devices require baking before mounting, if:
 - (2) a or (2) b is not met.
- (4) If baking is required, devices must be baked under below conditions:
12 hours at 60°C±3°C.

● Package and Label of Products:

- (1) Package: Products are packed in one bag of 3000 pcs (one taping reel) and a label is attached on each bag.
- (2) Label:

