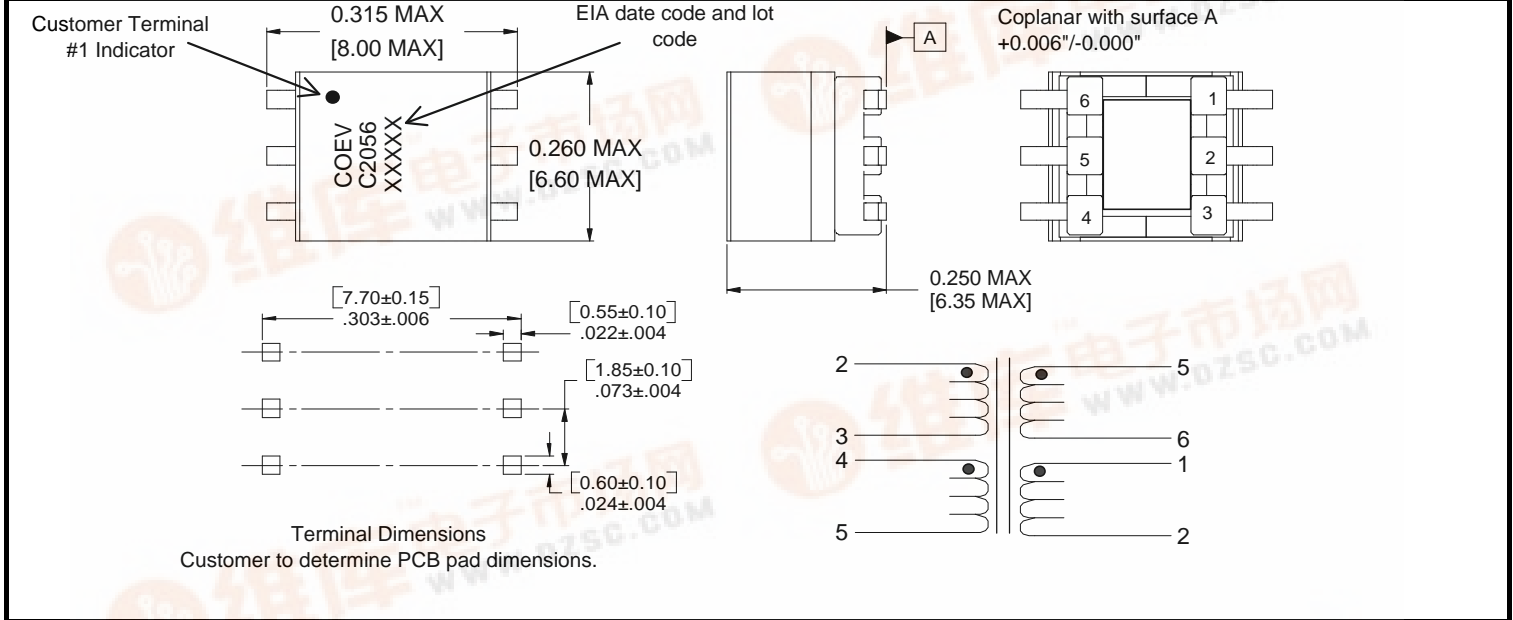




**Product Description** **78.03  $\mu$ H Inductor**



**Electrical Specifications at +20°C unless noted otherwise**

| Test Description | Limit     | Units    | Tol         | Notes  |
|------------------|-----------|----------|-------------|--|
| Inductance       | 78.03     | $\mu$ H  | $\pm 10\%$  | 2-3, 10kHz, 100mVAC, 0DC, Ls.                            |
| DC Resistance    | 1.99      | $\Omega$ | Max.        | 2-3  |
| DC Resistance    | 1.99      | $\Omega$ | Max.        | 4-5  |
| DC Resistance    | 0.360     | $\Omega$ | Max.        | 1-2  |
| DC Resistance    | 0.360     | $\Omega$ | Max.        | 5-6  |
| Turns Ratio      | 6.375 : 1 | ---      | $\pm 1\%$   | (2-3) : (5-6), 10KHz, 100mVAC.                           |
| Turns Ratio      | 6.375 : 1 | ---      | $\pm 1\%$   | (4-5) : (1-2), 10KHz, 100mVAC.                           |
| Dielectric       | 500       | VDC      | 500 $\mu$ A | 1-4, 1 second test, 500 $\mu$ A maximum leakage current. |