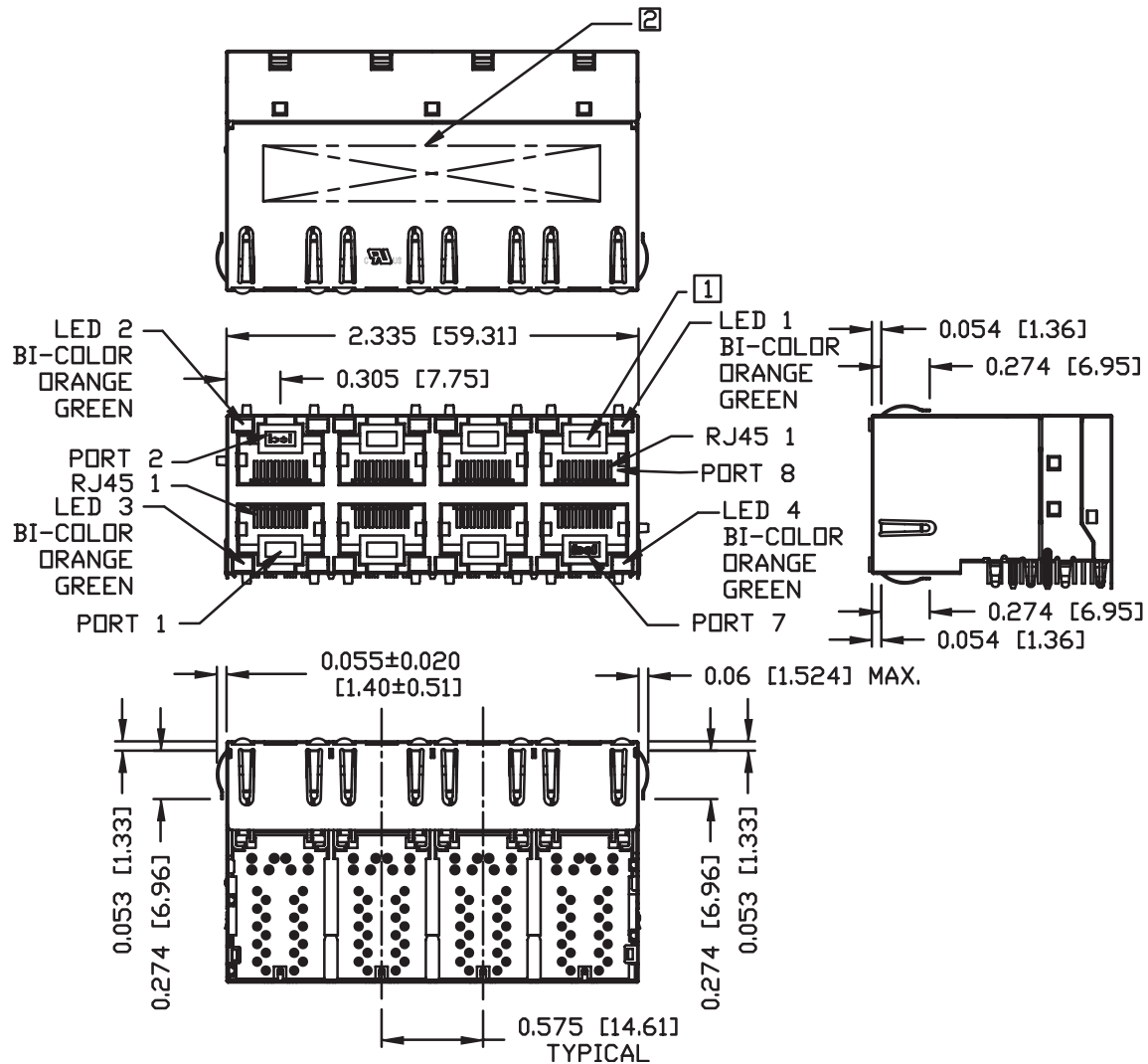
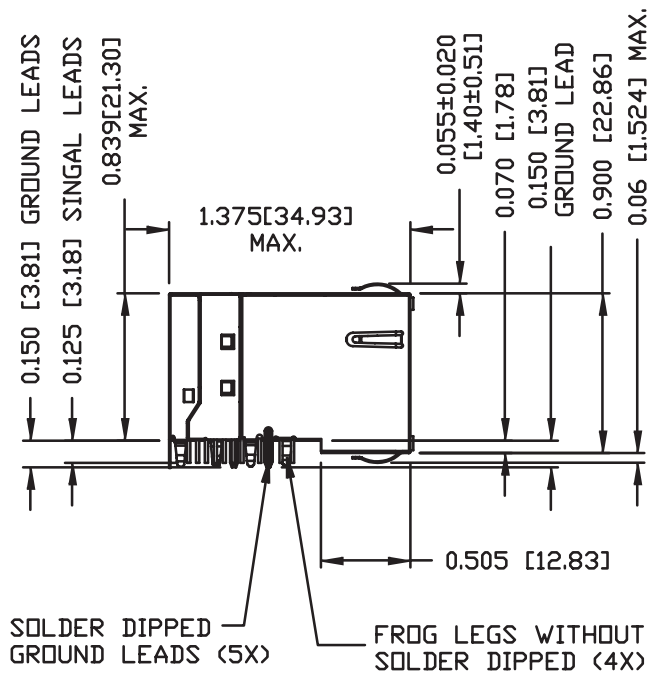


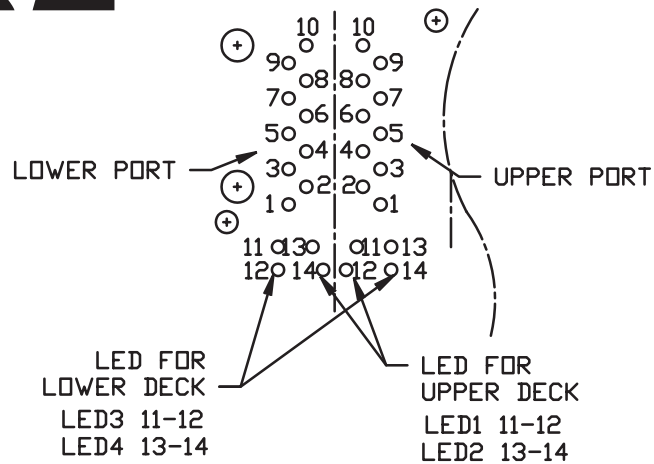
INTEGRATED CONNECTOR MODULES

C855-2B4R-54 Gigabit Ethernet Compressor MagJack® 2 x 4 with LEDs



INTEGRATED CONNECTOR MODULES

C855-2B4R-54 Gigabit Ethernet Compressor MagJack® 2 x 4 with LEDs



14	GREEN(-) ORANGE(+)
13	GREEN(+) ORANGE(-)
12	GREEN(-) ORANGE(+)
11	GREEN(+) ORANGE(-)
10	GND
9	TRCT1/2/3/4
8	TRD 4+
7	TRD 4-
6	TRD 3+
5	TRD 3-
4	TRD 2+
3	TRD 2-
2	TRD 1+
1	TRD 1-

PIN-OUT INFORMATION
(COMPONENT SIDE VIEW)

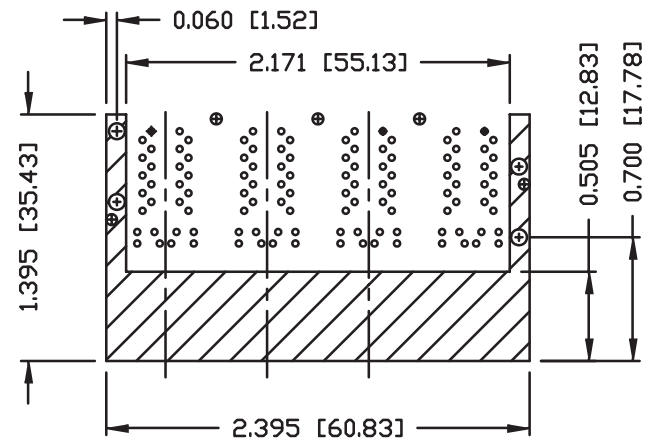
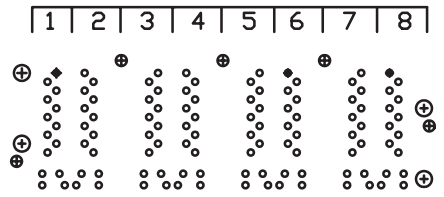
NOTES:

- PLASTIC HOUSING: THERMOPLASTIC PBT
FLAMMABILITY RATING UL 94V-0
- CONTACT PLATING: 30 MICRO-INCH HARD GOLD PLATING
- OUTPUT PINS: TIN-COATED COPPER WIRE, DIA 0.018 INCH.
- METAL SHIELD: NICKEL PLATED COPPER ALLOY.
(ALL GROUND LEADS ARE SOLDER DIPPED)
FRDG LEGS ARE FOR PCB RETENTION FORCE ONLY
AND NOT FOR GROUNDING PURPOSE

1. JACK CAVITY CONFORMS TO FCC RULES AND REGULATIONS, PART 68 SUBPART F.
2. MARK PART WITH MFG LOGO, MFG NAME, PART NUMBER, AND DATE CODE.

US UL RECOGNIZED - FILE #E196366 AND E169987.
RoHS COMPLIANCE, PER EU DIRECTIVE 2002/95/EC.

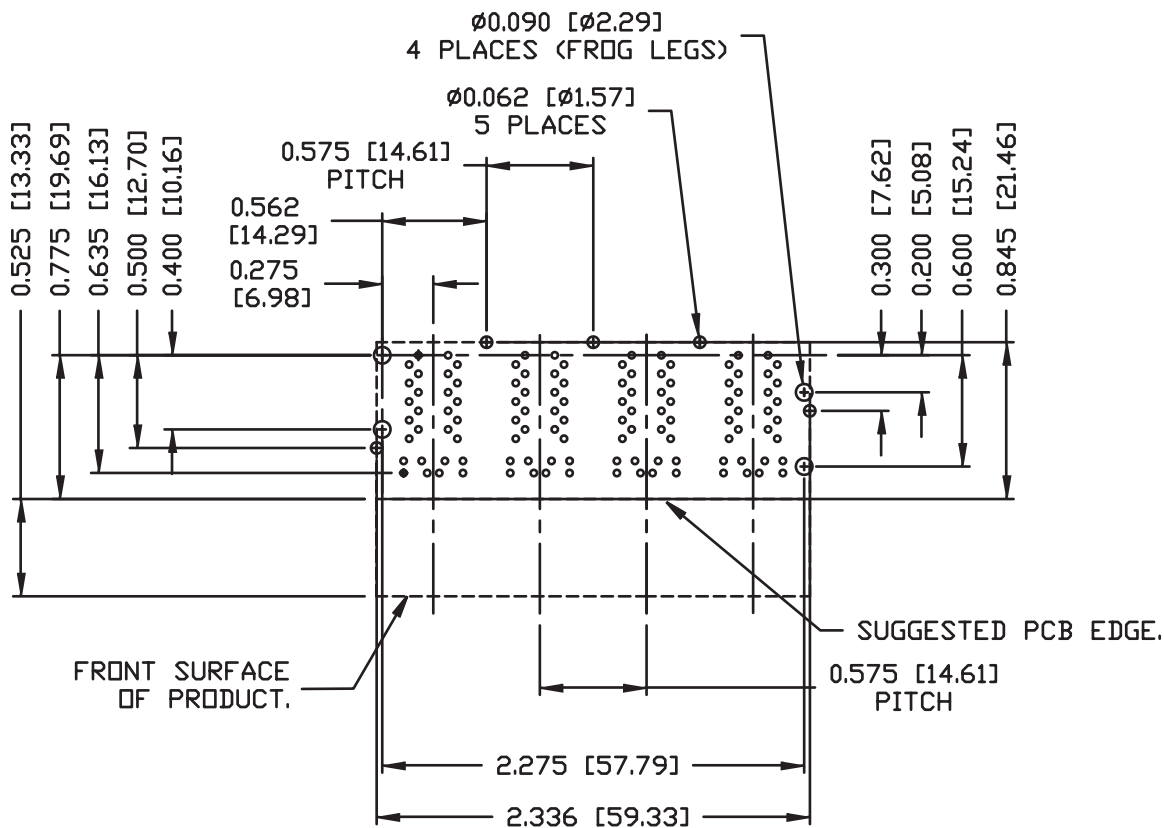
PORT ASSIGNMENT
(COMPONENT SIDE VIEW)



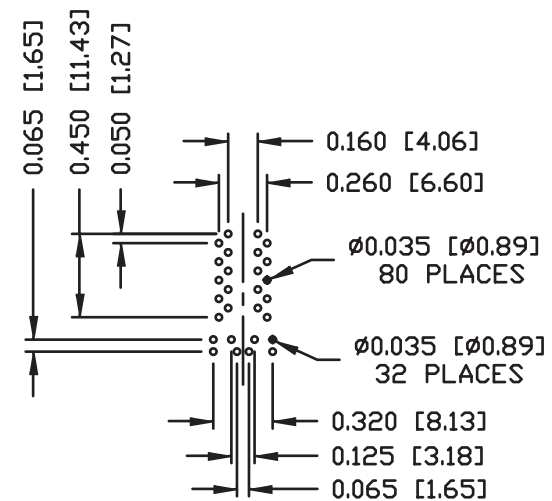
THE SHADED AREA ON THE CUSTOMER BOARD ARE RECOMMENDED TO BE CLEAR OFF ANY VIA HOLE OR COMPONENT PAD.

INTEGRATED CONNECTOR MODULES

C855-2B4R-54 Gigabit Ethernet Compressor MagJack® 2 x 4 with LEDs

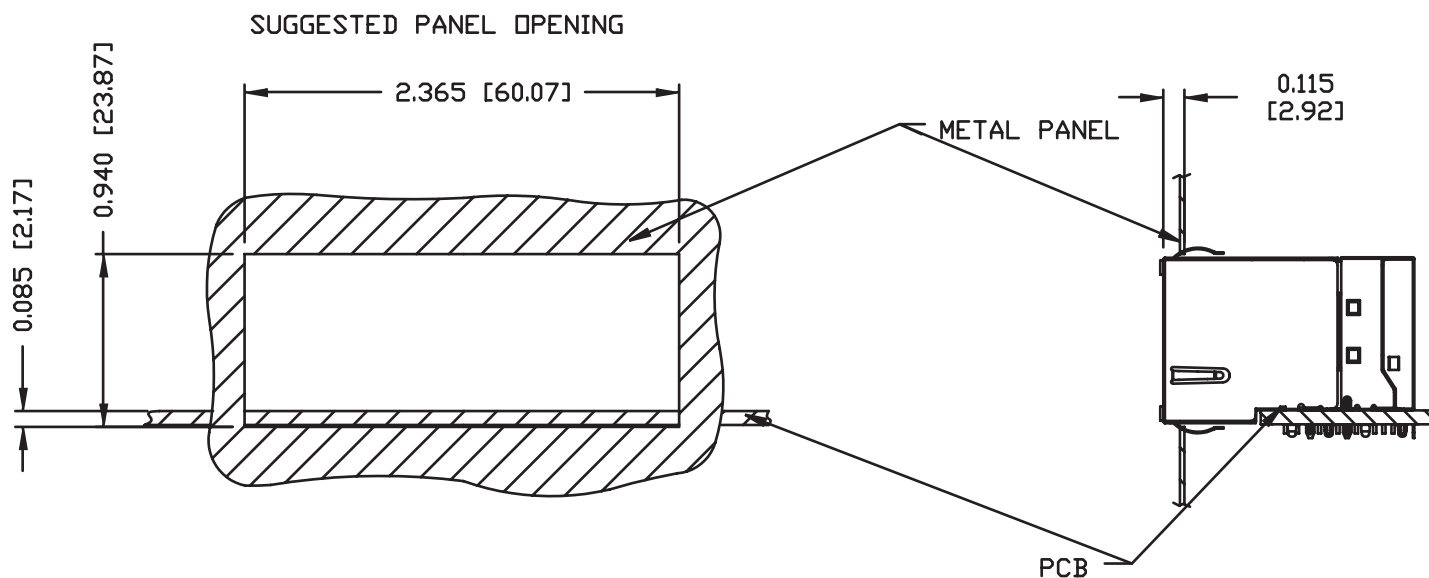


(COMPONENT SIDE VIEW)



SUGGESTED FOOTPRINT

INTEGRATED CONNECTOR MODULES
C855-2B4R-54 Gigabit Ethernet Compressor MagJack® 2 x 4 with LEDs



NOTE:

THE DISTANCE OF PANEL INSIDE SURFACE RELATIVE TO FRONT SURFACE OF PART IS ONLY A SUGGESTION. IN CASE THIS DISTANCE IS DIFFERENT, THE REQUIRED PANEL OPENING DIMENSIONS CHANGE ACCORDINGLY.

PACKING INFORMATION

PACKING TRAY : 0200-9999-L1 (TOP)

0200-9999-L2 (BOTTOM)

PACKING QUANTITY : 20 PCS FINISHED GOODS PER TRAY.

6 TRAYS (120 PCS FINISHED GOODS) PER CARTON BOX.

NOTE : CARDBOARDS ARE PLACED BETWEEN LAYERS OF PACKING TRAY INSIDE CARTON BOX.

(INCLUDE THE UPPERMOST AND LOWERMOST TRAY)