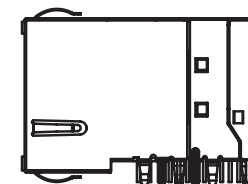
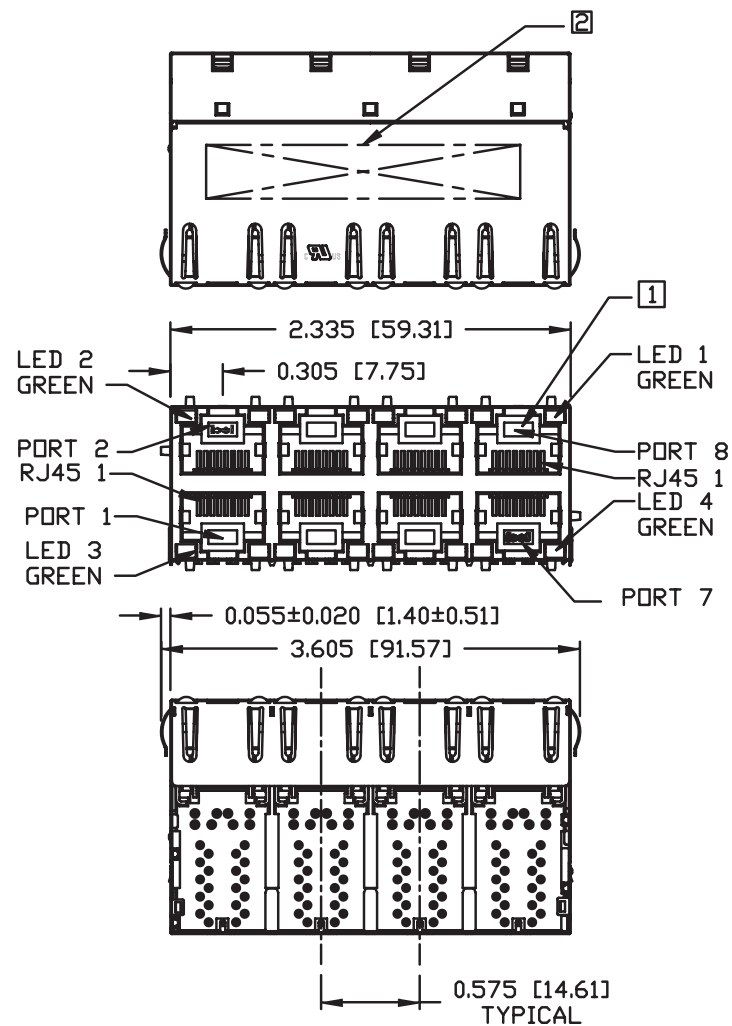
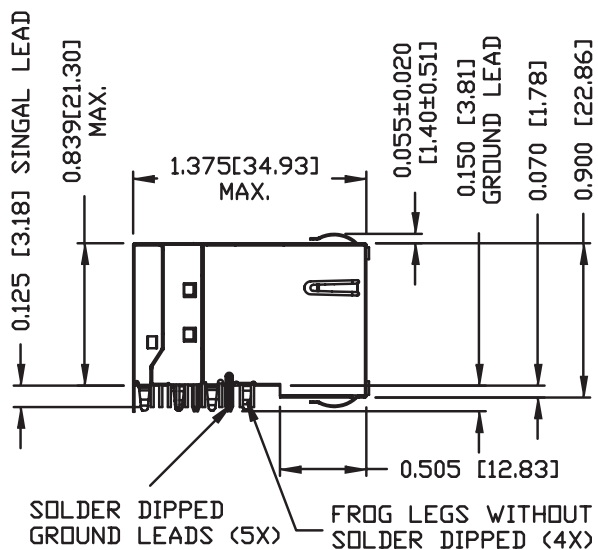




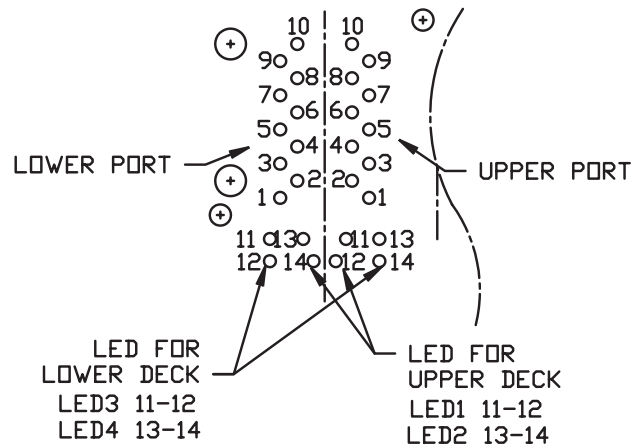
# INTEGRATED CONNECTOR MODULES

## C855-2G4R-54 Gigabit Ethernet Compressor MagJack® 2 x 4 with LEDs



# INTEGRATED CONNECTOR MODULES

## C855-2G4R-54 Gigabit Ethernet Compressor MagJack® 2 x 4 with LEDs



10	GND
9	TRDCT1/2/3/4
8	TRD 4+
7	TRD 4-
6	TRD 3+
5	TRD 3-
4	TRD 2+
3	TRD 2-
2	TRD 1+
1	TRD 1-

### PIN-OUT INFORMATION (COMPONENT SIDE VIEW)

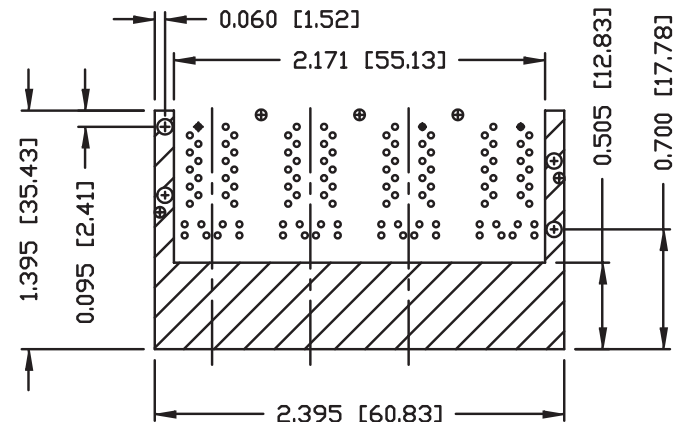
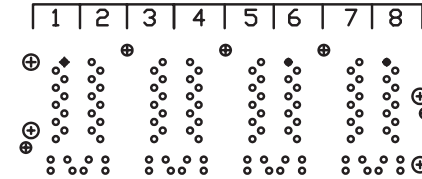
#### NOTES:

- PLASTIC HOUSING: THERMOPLASTIC PBT  
FLAMMABILITY RATING UL 94V-0
- CONTACT PLATING: 30 MICRO-INCH HARD GOLD PLATING
- OUTPUT PINS: TIN-COATED COPPER WIRE, DIA 0.018 INCH.
- METAL SHIELD: NICKEL PLATED COPPER ALLOY.  
(ALL GROUND LEADS ARE SOLDER DIPPED)  
FRDG LEGS ARE FOR PCB RETENTION FORCE ONLY  
AND NOT FOR GROUNDING PURPOSE

1. JACK CAVITY CONFORMS TO FCC RULES AND REGULATIONS, PART 68 SUBPART F.
2. MARK PART WITH MFG LOGO, MFG NAME, PART NUMBER, AND DATE CODE.

UL RECOGNIZED - FILE #E196366 AND E169987.  
RoHS COMPLIANCE, PER EU DIRECTIVE 2002/95/EC.

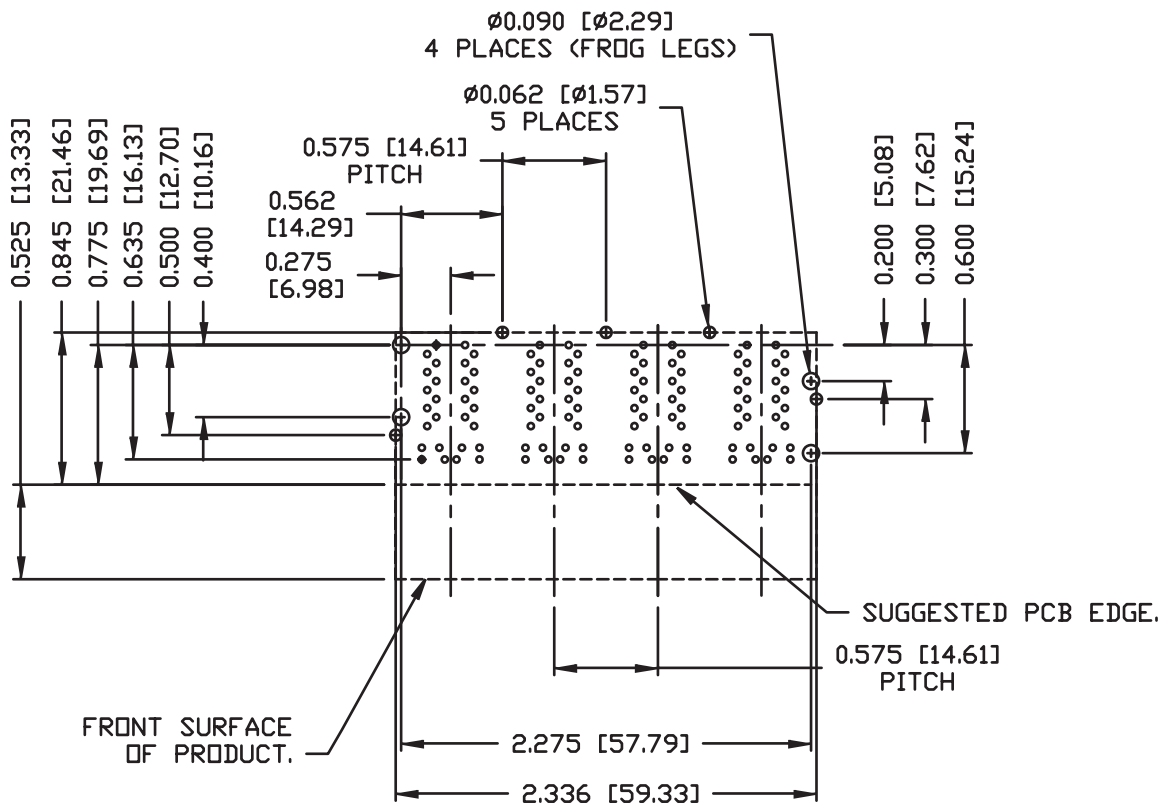
### PORT ASSIGNMENT (COMPONENT SIDE VIEW)



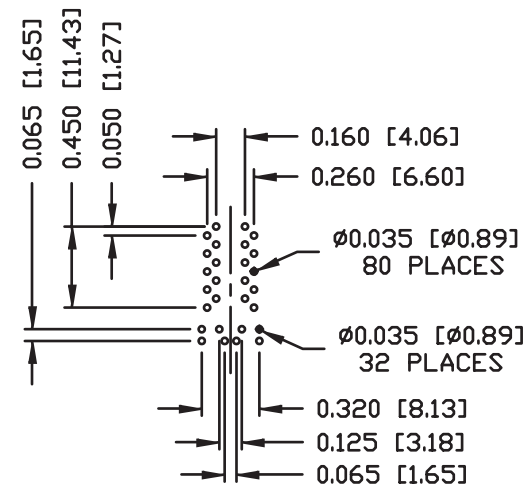
THE SHADED AREA ON THE CUSTOMER BOARD ARE RECOMMENDED TO BE CLEAR OFF ANY VIA HOLE OR COMPONENT PAD.

# INTEGRATED CONNECTOR MODULES

## C855-2G4R-54 Gigabit Ethernet Compressor MagJack® 2 x 4 with LEDs

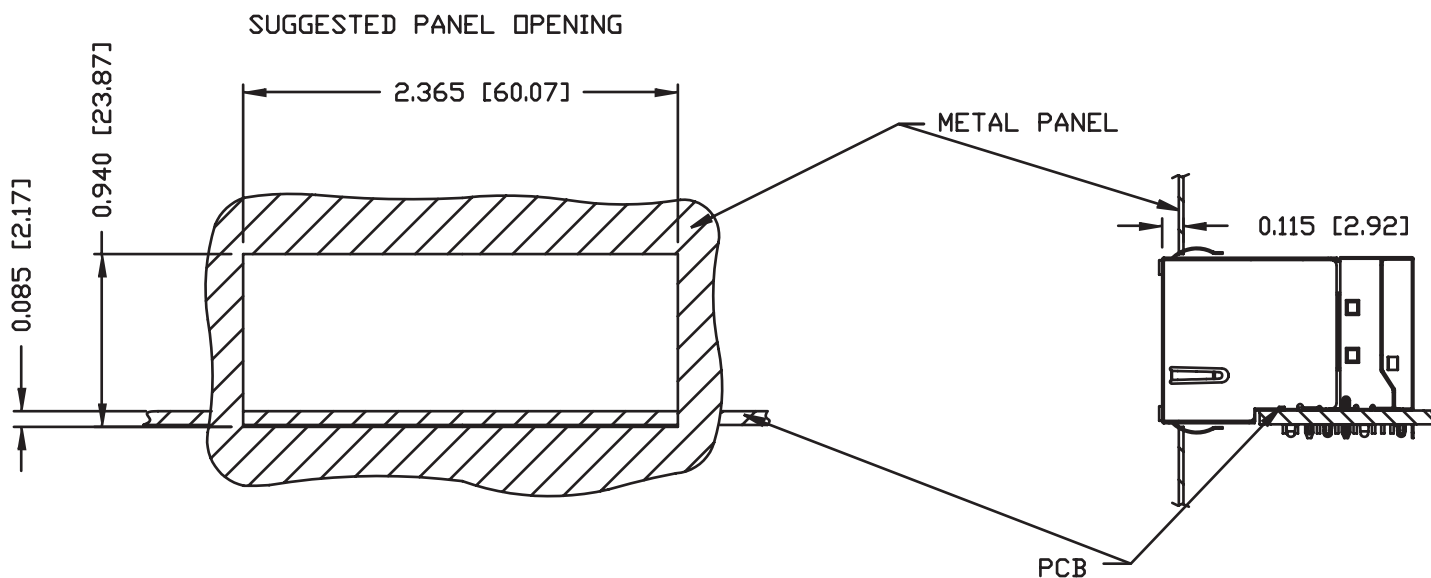


(COMPONENT SIDE VIEW)



SUGGESTED FOOTPRINT

**INTEGRATED CONNECTOR MODULES**  
**C855-2G4R-54 Gigabit Ethernet Compressor MagJack® 2 x 4 with LEDs**



**NOTE:**

THE DISTANCE OF PANEL INSIDE SURFACE RELATIVE TO FRONT SURFACE OF PART IS ONLY A SUGGESTION. IN CASE THIS DISTANCE IS DIFFERENT, THE REQUIRED PANEL OPENING DIMENSIONS CHANGE ACCORDINGLY.

**PACKING INFORMATION**

PACKING TRAY : 0200-9999-L1 (TOP)

0200-9999-L2 (BOTTOM)

PACKING QUANTITY : 20 PCS FINISHED GOODS PER TRAY.

6 TRAYS (120 PCS FINISHED GOODS) PER CARTON BOX.

NOTE : CARDBOARDS ARE PLACED BETWEEN LAYERS OF PACKING TRAY INSIDE CARTON BOX.  
 (INCLUDE THE UPPERMOST AND LOWERMOST TRAY)