

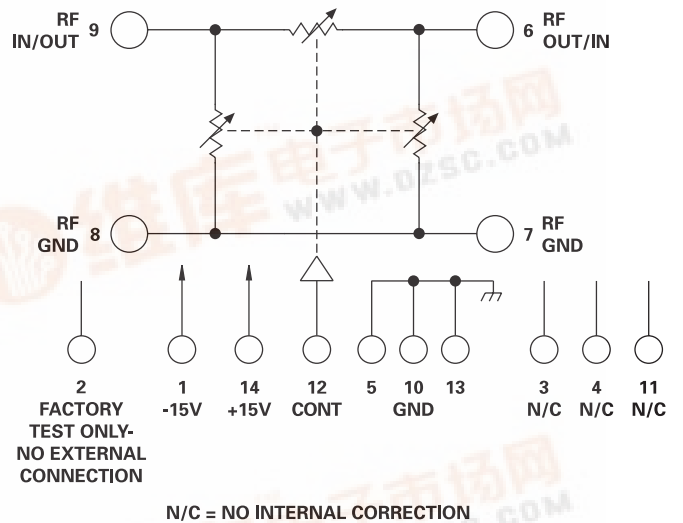
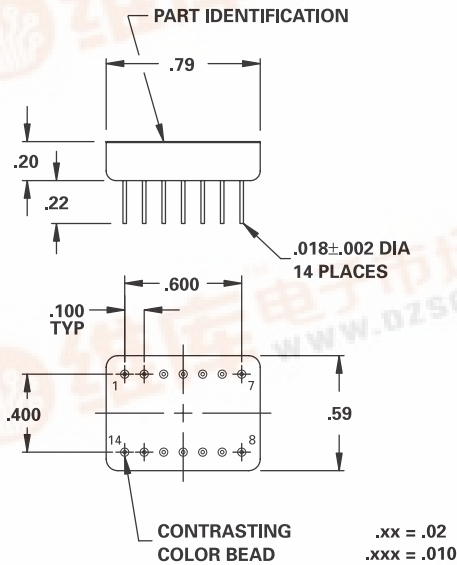
**MODEL NUMBER
DA0098**

PIN Diode Linear VCA

FEATURES

- 20-300 MHz
- 40 dB Linear Range Typical
- ± 2 dB Linearity
- 2 dB Insertion Loss
- 14 Pin DIP
- See DA0998 For Flat Pack Version
- See 100C0912 For Connectorized Version

VCA



GUARANTEED PERFORMANCE

Parameter	Min	Typ	Max	Units	Conditions
Operating Frequency	20		300	MHz	
DC Current (10k ohm Input Impedance)		42	65	mA	At +15 VDC Supply
		80	110	mA	At -15 VDC Supply
Control Current			0.5	mA	0 V = Insertion Loss +5 V = Max. Atten.
Insertion Loss		1.3	2.0	dB	At 0 V Control
Attenuation	Range	40	50	dB	At 100 MHz
	Slope		15 \pm 3	dB/V	
	Linearity		± 2	dB	Best Straight Line Fit From IL +2 dB to 40 dB
VSWR			1.4/1		
Impedance		50		OHMS	
Slew Rate		6		dB/ μ S	
RF Power	Operate		+10	dBm	
	No Damage		+20	dBm	
Operating Temperature	-55	+25	+85	$^{\circ}$ C	TA

TYPICAL PERFORMANCE

Attenuation vs Control Voltage

