

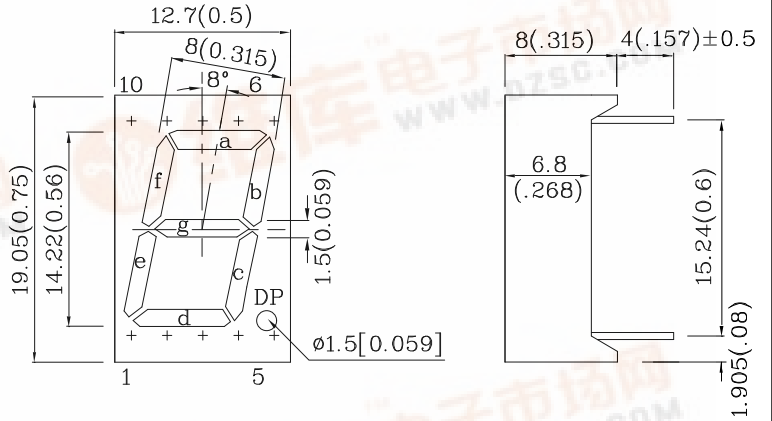
Part Number: **DBBA14A-1**

14.2mm (0.56") SINGLE DIGIT NUMERIC DISPLAY

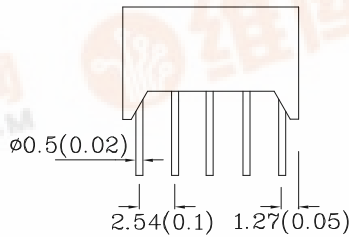
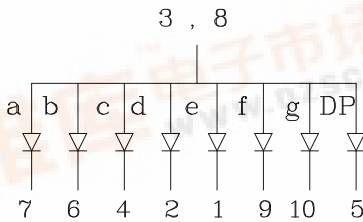
**PRELIMINARY SPEC**

**Features**

- 0.56 INCH DIGIT HEIGHT.
- LOW CURRENT OPERATION.
- EXCELLENT CHARACTER APPEARANCE.
- EASY MOUNTING ON P.C. BOARDS OR SOCKETS.
- I.C. COMPATIBLE.
- MECHANICALLY RUGGED.
- GRAY FACE, WHITE SEGMENT.
- RoHS COMPLIANT.



**ATTENTION**  
OBSERVE PRECAUTIONS  
FOR HANDLING  
ELECTROSTATIC  
DISCHARGE  
SENSITIVE  
DEVICES



**Notes:**

1. All dimensions are in millimeters (inches).
2. Tolerance is ± 0.25(0.01") unless otherwise noted.
3. Specifications are subject to change without notice.

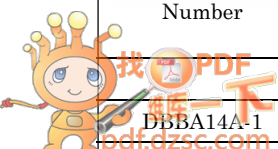
Absolute Maximum Ratings (TA=25°C)		BBA (InGaN)	Unit
Reverse Voltage	VR	5	V
Forward Current	IF	30	mA
Forward Current (Peak) 1/10 Duty Cycle 0.1ms Pulse Width	iFS	100	mA
Power Dissipation	PT	120	mW
Operating Temperature	TA	-40 ~ +85	°C
Storage Temperature	Tstg	-40 ~ +85	
Electrostatic Discharge Threshold (HBM)		1000	V
Lead Solder Temperature [2mm Below Package Base]	260°C For 3~5 Seconds		

Operating Characteristics (TA=25°C)		BBA (InGaN)	Unit
Forward Voltage (Typ.) (IF=10mA)	VF	3.05	V
Forward Voltage (Max.) (IF=10mA)	VF	4.0	V
Reverse Current (Max.) (VR=5V)	IR	10	uA
Wavelength of Peak Emission (IF=10mA) (Typ.)	λ P	468	nm
Wavelength of Dominant Emission (Typ.) (IF=10mA)	λ D	470	nm
Spectral Line Full Width At Half- Maximum (Typ.) (IF=10mA)	Δλ	21	nm
Capacitance (Typ.) (VF=0V, f=1MHz)	C	100	pF

Luminous Intensity (IF=10mA) ucd	Wavelength nm λ P	Description
--	-------------------------	-------------

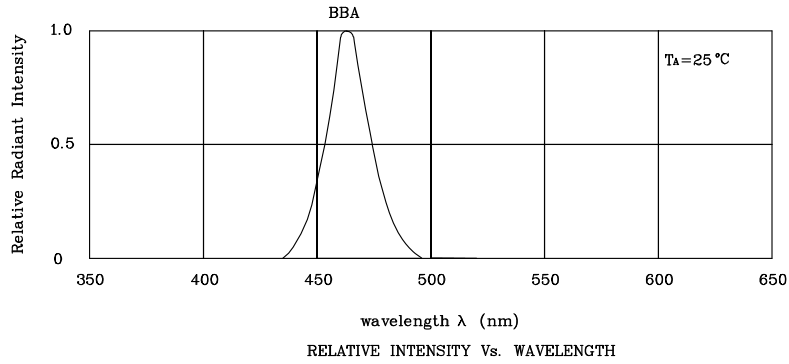
min.                      typ.

Part Number	Emitting Color	Emitting Material	min.	typ.	Wavelength nm λ P	Description
DBBA14A-1	Blue	InGaN	1900	10290	468	Common Anode, Rt. Hand Decimal

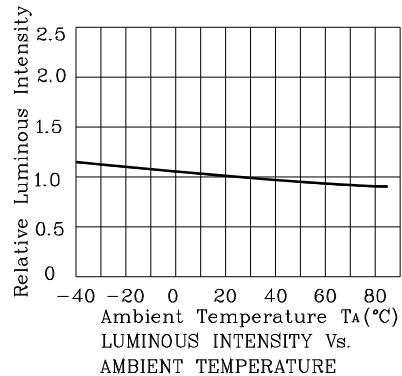
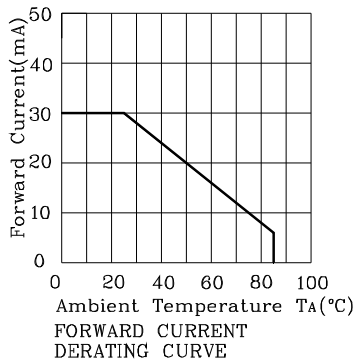
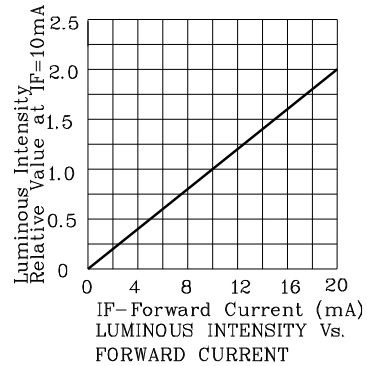
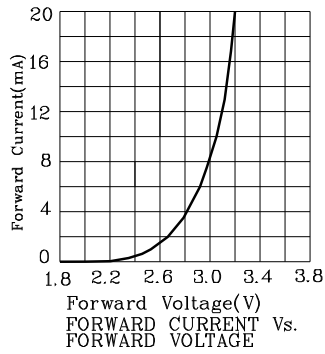


Part Number: **DBBA14A-1**

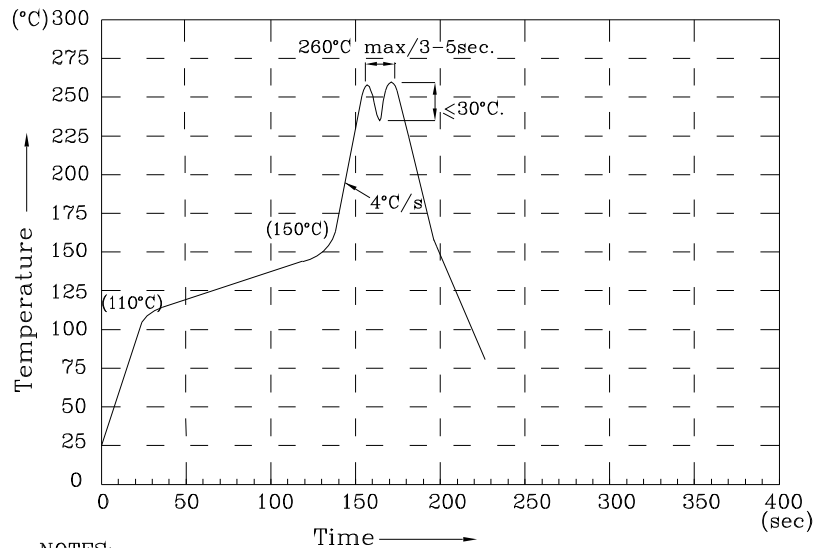
14.2mm (0.56") SINGLE DIGIT NUMERIC DISPLAY



❖ **BBA**



Wave Soldering Profile For Lead-free Through-hole LED.



NOTES:

- 1.Recommend the wave temperature 245°C~260°C.The maximum soldering temperature should be less than 260°C.
- 2.Do not apply stress on epoxy resins when temperature is over 85 degree°C.
- 3.The soldering profile apply to the lead free soldering (Sn/Cu/Ag alloy).
- 4.No more than once.

Remarks:

If special sorting is required (e.g. binning based on forward voltage, luminous intensity/ luminous flux or wavelength), the typical accuracy of the sorting process is as follows:

1. Wavelength: +/-1nm
2. Luminous Intensity/ luminous flux: +/-15%
3. Forward Voltage: +/-0.1V

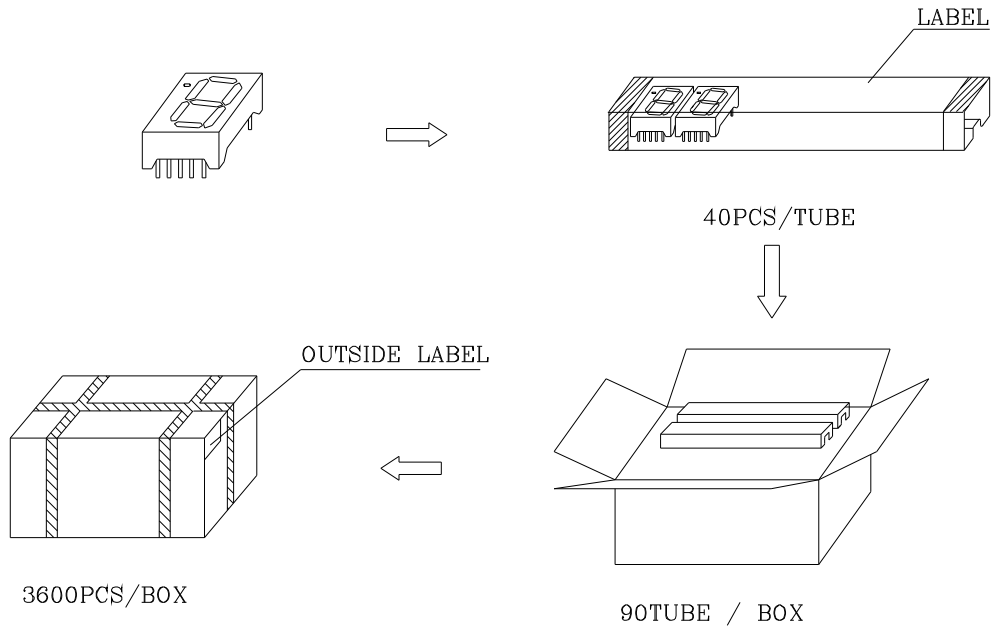
Note: Accuracy may depend on the sorting parameters.

Part Number: **DBBA14A-1**

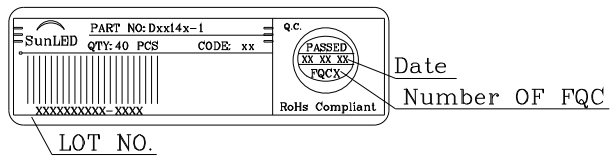
14.2mm (0.56") SINGLE DIGIT NUMERIC DISPLAY

**PACKING & LABEL SPECIFICATIONS**

**DBBA14A-1**



Inside LABEL Paste On The IC-tube



Outside LABEL Paste On The Box

