



## Improved Quad CMOS Analog Switches

### DESCRIPTION

The DG201B/202B analog switches are highly improved versions of the industry-standard DG201A/202. These devices are fabricated in Vishay Siliconix' proprietary silicon gate CMOS process, resulting in lower on-resistance, lower leakage, higher speed, and lower power consumption.

These quad single-pole single-throw switches are designed for a wide variety of applications in telecommunications, instrumentation, process control, computer peripherals, etc. An improved charge injection compensation design minimizes switching transients. The DG201B and DG202B can handle up to  $\pm 22$  V input signals, and have an improved continuous current rating of 30 mA. An epitaxial layer prevents latchup.

All devices feature true bi-directional performance in the on condition, and will block signals to the supply voltages in the off condition.

The DG201B is a normally closed switch and the DG202B is a normally open switch. (See Truth Table.)

### FEATURES

- $\pm 22$  V Supply Voltage Rating
- TTL and CMOS Compatible Logic
- Low On-Resistance -  $r_{DS(on)}$ : 45  $\Omega$
- Low Leakage -  $I_{D(on)}$ : 20 pA
- Single Supply Operation Possible
- Extended Temperature Range
- Fast Switching -  $t_{ON}$ : 120 ns
- Low Glitching - Q: 1 pC



Pb-free Available  
**RoHS\***  
COMPLIANT

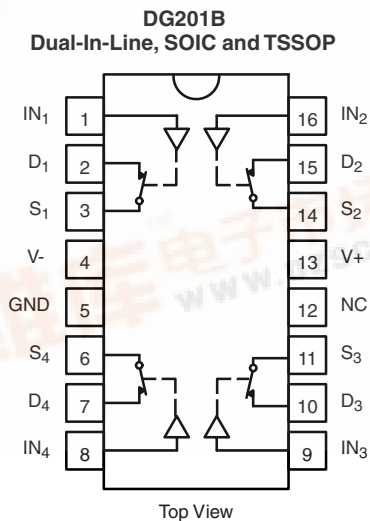
### BENEFITS

- Wide Analog Signal Range
- Simple Logic Interface
- Higher Accuracy
- Minimum Transients
- Reduced Power Consumption
- Superior to DG201A/202
- Space Savings (TSSOP)

### APPLICATIONS

- Industrial Instrumentation
- Test Equipment
- Communications Systems
- Disk Drives
- Computer Peripherals
- Portable Instruments
- Sample-and-Hold Circuits

### FUNCTIONAL BLOCK DIAGRAM AND PIN CONFIGURATION



#### TRUTH TABLE

Logic	DG201B	DG202B
0	ON	OFF
1	OFF	ON

Logic "0"  $\leq 0.8$  V  
Logic "1"  $\geq 2.4$  V

# DG201B/202B

Vishay Siliconix



ORDERING INFORMATION		
Temp Range	Package	Part Number
- 40 to 85 °C	16-Pin Plastic DIP	DG201BDJ DG201BDJ-E3
		DG202BDJ DG202BDJ-E3
	16-Pin Narrow SOIC	DG201BDY DG201BDY-E3 DG201BDY-T1 DG201BDY-T1-E3
		DG202BDY DG202BDY-E3 DG202BDY-T1 DG202BDY-T1-E3
	16-Pin TSSOP	DG201BDQ DG201BDQ-E3 DG201BDQ-T1 DG201BDQ-T1-E3
		DG202BDQ DG202BDQ-E3 DG202BDQ-T1 DG202BDQ-T1-E3

ABSOLUTE MAXIMUM RATINGS			
Parameter	Limit	Unit	
Voltages Referenced, V+ to V-	44	V	
GND	25		
Digital Inputs <sup>a</sup> , V <sub>S</sub> , V <sub>D</sub>	(V-) - 2 to (V+) + 2 or 30 mA, whichever occurs first		
Current, Any Terminal	30	mA	
Peak Current S or D (Pulsed at 1 ms, 10 % duty cycle max)	100		
Storage Temperature	(AK, DK Suffix)	- 65 to 150	°C
	(DJ, DY, DQ Suffix)	- 65 to 125	
Power Dissipation (Package) <sup>b</sup>	16-Pin Plastic DIP <sup>c</sup>	470	mW
	16-Pin Narrow SOIC and TSSOP <sup>d</sup>	640	
	16-Pin CerDIP <sup>e</sup>	900	

Notes:

- a. Signals on S<sub>x</sub>, D<sub>x</sub>, or IN<sub>x</sub> exceeding V+ or V- will be clamped by internal diodes. Limit forward diode current to maximum current ratings.
- b. All leads welded or soldered to PC Board.
- c. Derate 6.5 mW/°C above 75 °C.
- d. Derate 7.6 mW/°C above 75 °C.
- e. Derate 12 mW/°C above 75 °C.



**SCHEMATIC DIAGRAM (TYPICAL CHANNEL)**

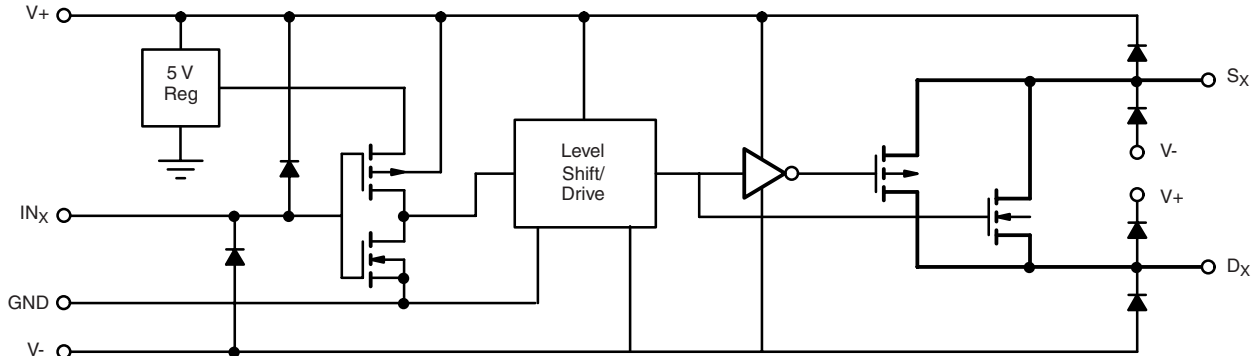


Figure 1.

<b>SPECIFICATIONS<sup>a</sup></b>									
Parameter	Symbol	Test Conditions Unless Specified $V_+ = 15\text{ V}$ , $V_- = -15\text{ V}$ $V_{IN} = 2.4\text{ V}$ , $0.8\text{ V}^f$	Temp <sup>b</sup>	Typ <sup>c</sup>	A Suffix - 55 to 125 °C		D Suffix - 40 to 85 °C		Unit
					Min <sup>d</sup>	Max <sup>d</sup>	Min <sup>d</sup>	Max <sup>d</sup>	
<b>Analog Switch</b>									
Analog Signal Range <sup>e</sup>	$V_{ANALOG}$		Full		- 15	15	- 15	15	V
Drain-Source On-Resistance	$r_{DS(on)}$	$V_D = \pm 10\text{ V}$ , $I_S = 1\text{ mA}$	Room	45		85		85	$\Omega$
$r_{DS(on)}$ Match	$\Delta r_{DS(on)}$		Full			100		100	
Source Off Leakage Current	$I_{S(off)}$	$V_S = \pm 14\text{ V}$ , $V_D = \pm 14\text{ V}$	Room	$\pm 0.01$	- 0.5	0.5	- 0.5	0.5	nA
Drain Off Leakage Current	$I_{D(off)}$	$V_D = \pm 14\text{ V}$ , $V_S = \pm 14\text{ V}$	Full		- 20	20	- 5	5	
Drain On Leakage Current	$I_{D(on)}$	$V_S = V_D = \pm 14\text{ V}$	Room	$\pm 0.02$	- 0.5	0.5	- 0.5	0.5	
<b>Digital Control</b>									
Input Voltage High	$V_{INH}$		Full		2.4		2.4		V
Input Voltage Low	$V_{INL}$		Full			0.8		0.8	
Input Current	$I_{INH}$ or $I_{INL}$	$V_{INH}$ or $V_{INL}$	Full		- 1	1	- 1	1	$\mu\text{A}$
Input Capacitance	$C_{IN}$		Room	5					pF
<b>Dynamic Characteristics</b>									
Turn-On Time	$t_{ON}$	$V_S = 2\text{ V}$ See Switching Time Test Circuit	Room	120		300		300	ns
Turn-Off Time	$t_{OFF}$		Full		65		200		
Charge Injection	Q	$C_L = 1000\text{ pF}$ , $V_g = 0\text{ V}$ $R_g = 0\ \Omega$	Room	1					pC
Source-Off Capacitance	$C_{S(off)}$	$V_S = 0\text{ V}$ , $f = 1\text{ MHz}$	Room	5					pF
Drain-Off Capacitance	$C_{D(off)}$		Room		5				
Channel On Capacitance	$C_{D(on)}$		Room		16				
Off Isolation	OIRR	$C_L = 15\text{ pF}$ , $R_L = 50\ \Omega$ $V_S = 1\text{ V}_{RMS}$ , $f = 100\text{ kHz}$	Room	90					dB
Channel-to-Channel Crosstalk	$X_{TALK}$		Room		95				
<b>Power Supply</b>									
Positive Supply Current	$I_+$	$V_{IN} = 0\text{ or }5\text{ V}$	Room			50		50	$\mu\text{A}$
Negative Supply Current	$I_-$		Full			- 1		- 1	
Power Supply Range for Continuous Operation	$V_{OP}$		Full		$\pm 4.5$	$\pm 22$	$\pm 4.5$	$\pm 22$	V

# DG201B/202B

Vishay Siliconix



SPECIFICATIONS FOR SINGLE SUPPLY <sup>a</sup>									
Parameter	Symbol	Test Conditions Unless Specified $V_+ = 12\text{ V}$ , $V_- = 0\text{ V}$ $V_{IN} = 2.4\text{ V}$ , $0.8\text{ V}^f$	Temp <sup>b</sup>	Typ <sup>c</sup>	A Suffix - 55 to 125 °C		D Suffix - 40 to 85 °C		Unit
					Min <sup>d</sup>	Max <sup>d</sup>	Min <sup>d</sup>	Max <sup>d</sup>	
<b>Analog Switch</b>									
Analog Signal Range <sup>e</sup>	$V_{ANALOG}$		Full		0	12	0	12	V
Drain-Source On-Resistance	$r_{DS(on)}$	$V_D = 3\text{ V}$ , $8\text{ V}$ , $I_S = 1\text{ mA}$	Room Full	90		160 200		160 200	$\Omega$
<b>Dynamic Characteristics</b>									
Turn-On Time	$t_{ON}$	$V_S = 8\text{ V}$	Room	120		300		300	ns
Turn-Off Time	$t_{OFF}$	See Switching Time Test Circuit	Room	60		200		200	
Charge Injection	Q	$C_L = 1\text{ nF}$ , $V_{gen} = 6\text{ V}$ $R_{gen} = 0\ \Omega$	Room	4					pC
<b>Power Supply</b>									
Positive Supply Current	I+	$V_{IN} = 0\text{ or }5\text{ V}$	Room Full			50 100		50 100	$\mu\text{A}$
Negative Supply Current	I-		Room Full		- 1 - 5		- 1 - 5		
Power Supply Range for Continuous Operation	$V_{OP}$		Full		+ 4.5	+ 25	+ 4.5	+ 25	V

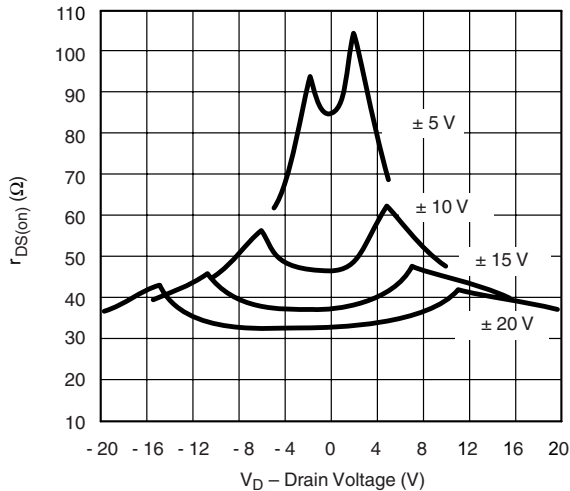
Notes:

- Refer to PROCESS OPTION FLOWCHART.
- Room = 25 °C, Full = as determined by the operating temperature suffix.
- Typical values are for DESIGN AID ONLY, not guaranteed nor subject to production testing.
- The algebraic convention whereby the most negative value is a minimum and the most positive a maximum, is used in this data sheet.
- Guaranteed by design, not subject to production test.
- $V_{IN}$  = input voltage to perform proper function.

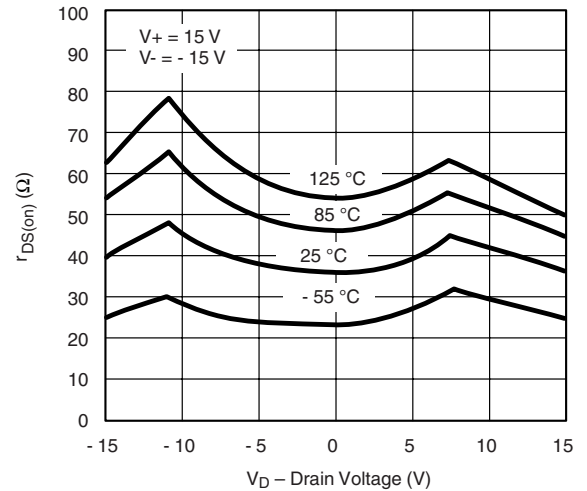
Stresses beyond those listed under "Absolute Maximum Ratings" may cause permanent damage to the device. These are stress ratings only, and functional operation of the device at these or any other conditions beyond those indicated in the operational sections of the specifications is not implied. Exposure to absolute maximum rating conditions for extended periods may affect device reliability.



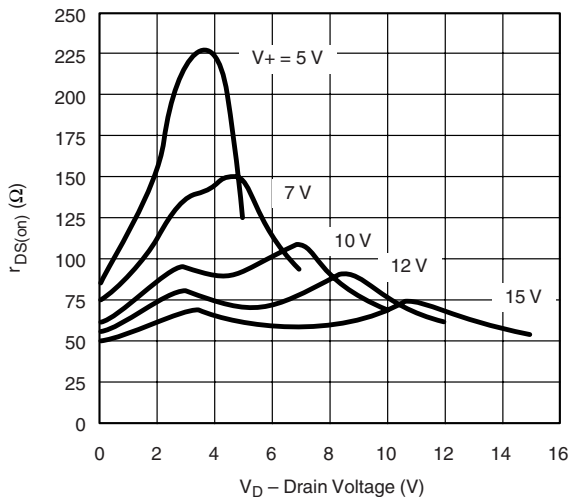
**TYPICAL CHARACTERISTICS** 25 °C, unless otherwise noted



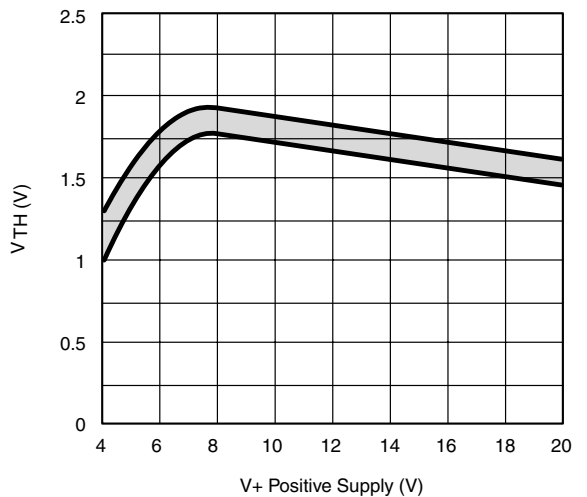
**$r_{DS(on)}$  vs.  $V_D$  and Power Supply Voltages**



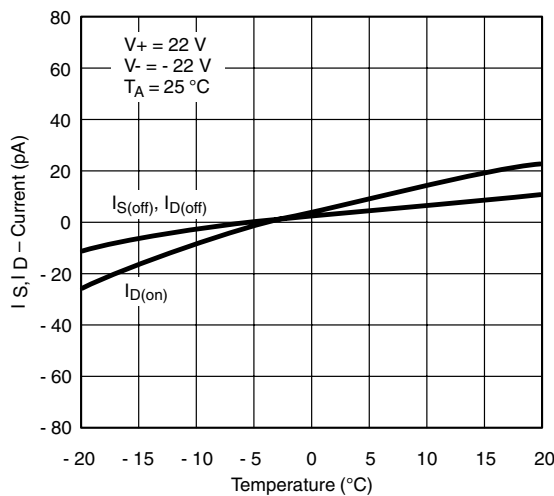
**$r_{DS(on)}$  vs.  $V_D$  and Temperature**



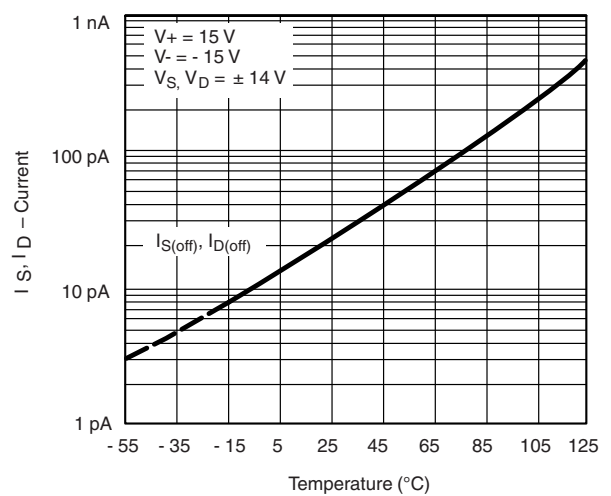
**$r_{DS(on)}$  vs.  $V_D$  and Single Power Supply Voltages**



**Input Switching Threshold vs. Supply Voltage**



**Leakage Currents vs. Analog Voltage**



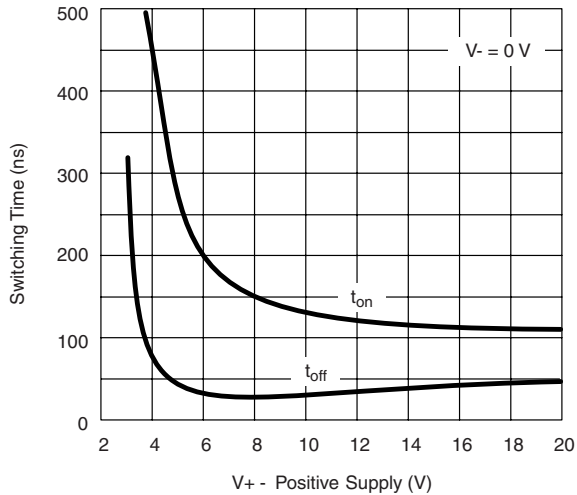
**Leakage Currents vs. Temperature**

# DG201B/202B

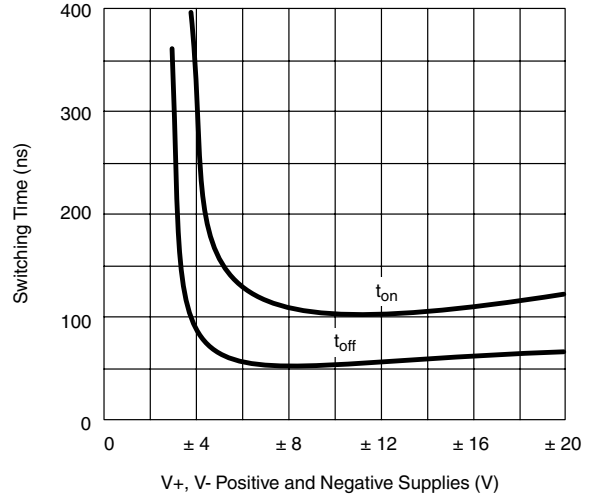
Vishay Siliconix



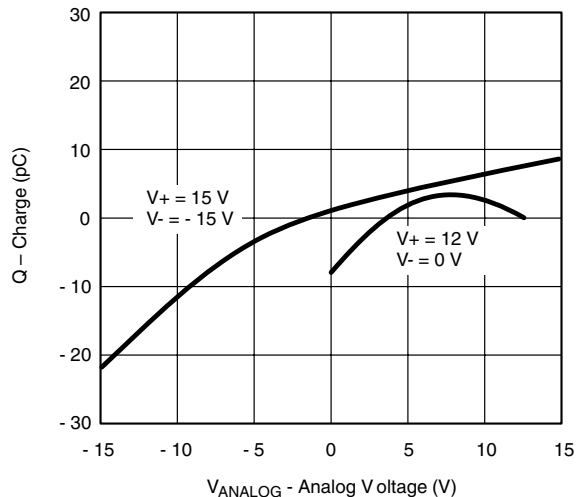
## TYPICAL CHARACTERISTICS 25 °C, unless otherwise noted



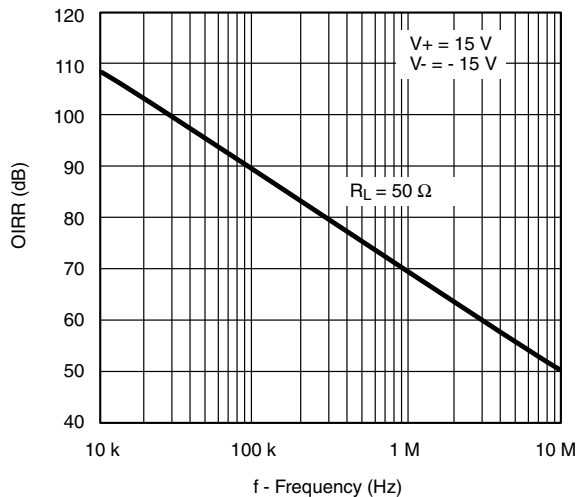
Switching Time vs. Single Supply Voltage



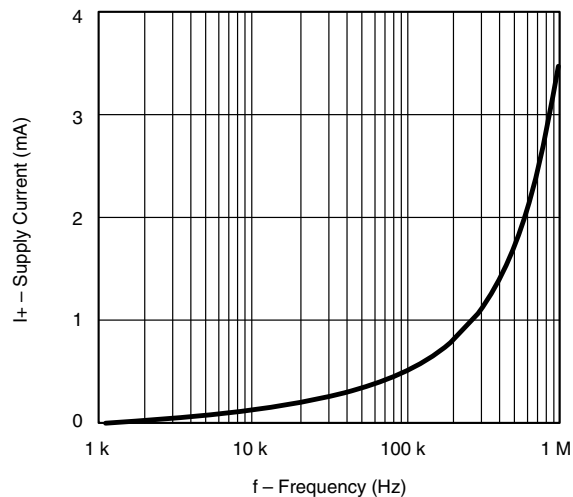
Switching Time vs. Power Supply Voltage



Q<sub>S</sub>, Q<sub>D</sub> - Charge Injection vs. Analog Voltage

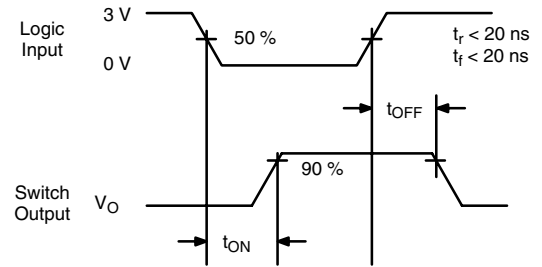
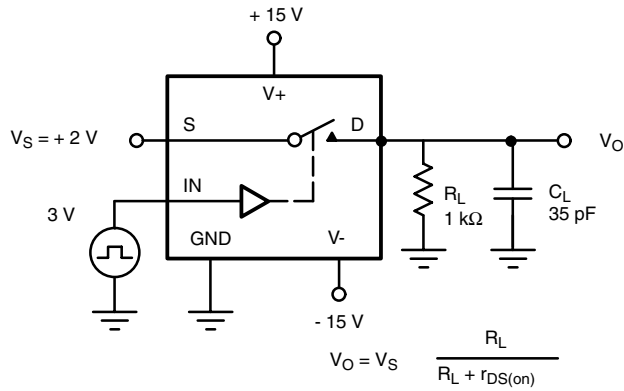


Off Isolation vs. Frequency

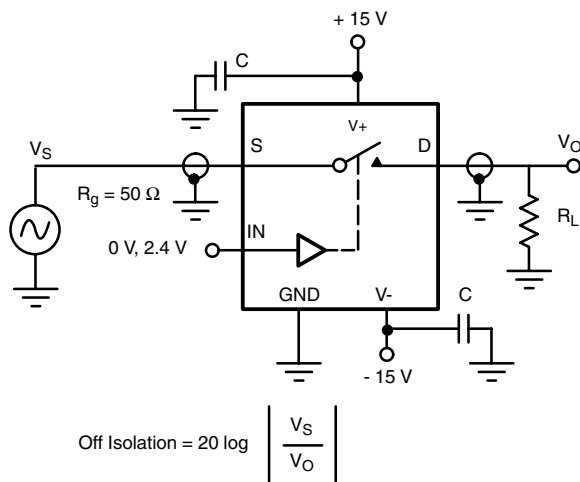


Supply Current vs. Switching Frequency

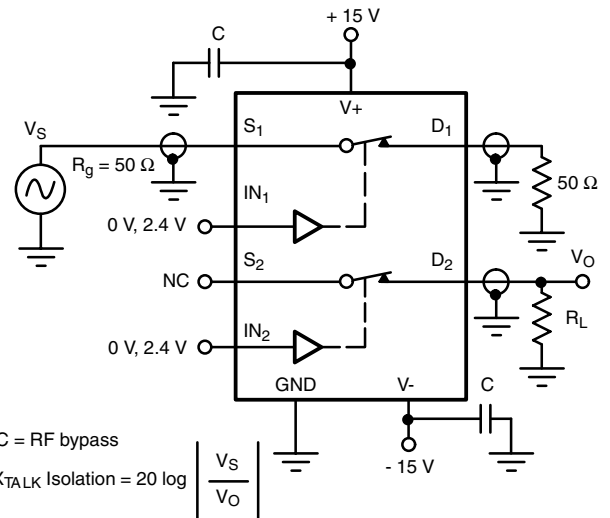
**TEST CIRCUITS**



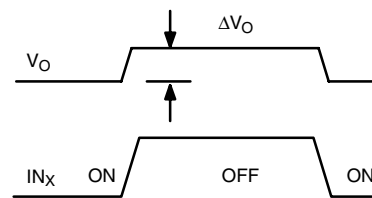
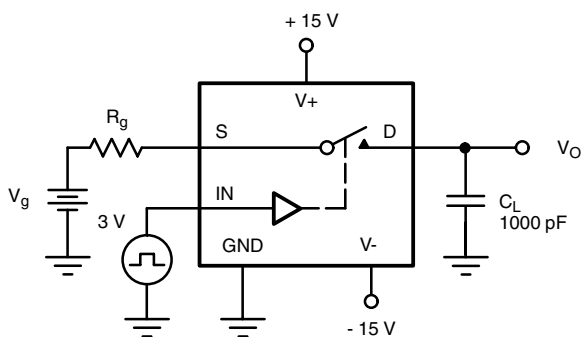
**Figure 2. Switching Time**



**Figure 3. Off Isolation**



**Figure 4. Channel-to-Channel Crosstalk**



$\Delta V_O$  = measured voltage error due to charge injection  
The charge injection in coulombs is  $Q = C_L \times \Delta V_O$

**Figure 5. Charge Injection**

# DG201B/202B

Vishay Siliconix



## APPLICATIONS

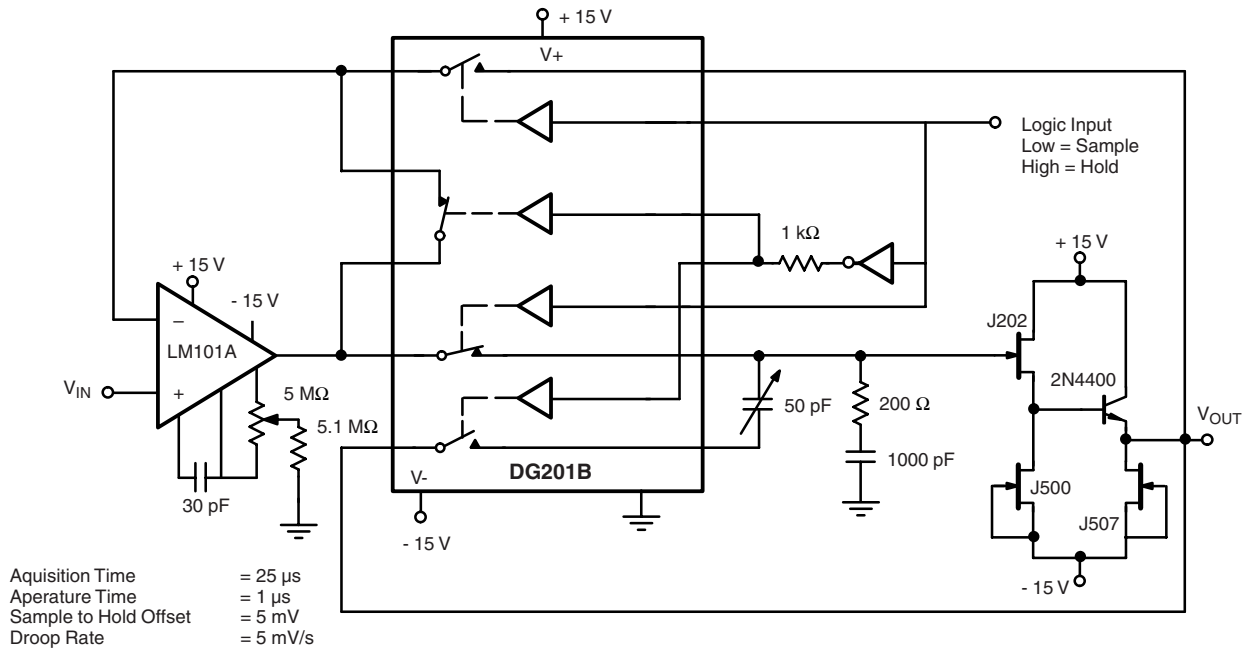


Figure 6. Sample-and-Hold

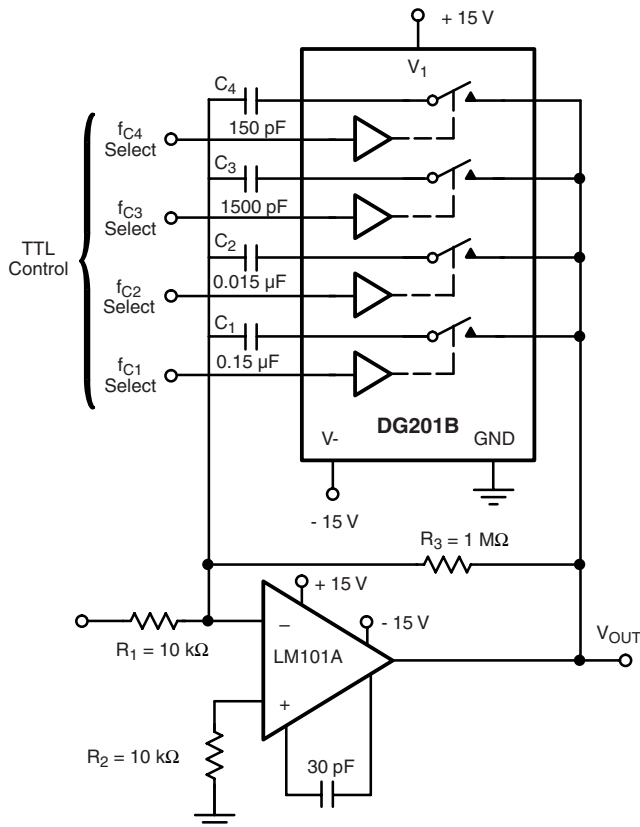
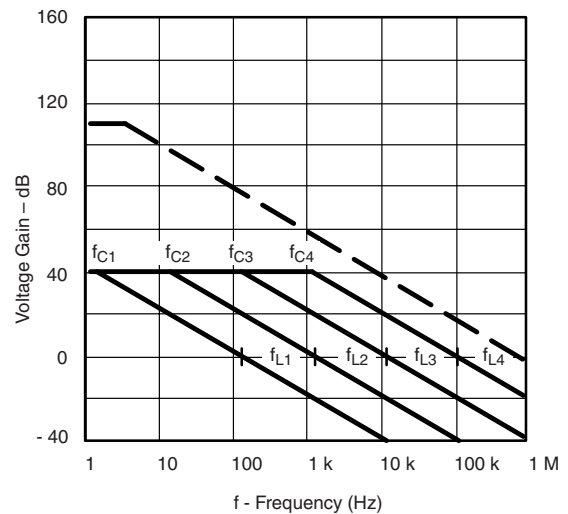


Figure 7. Active Low Pass Filter with Digitally Selected Break Frequency



$$A_L \text{ (Voltage Gain Below Break Frequency)} = \frac{R_3}{R_1} = 100 \text{ (40 dB)}$$

$$f_C \text{ (Break Frequency)} = \frac{1}{2\pi R_3 C_X}$$

$$f_L \text{ (Unity Gain Frequency)} = \frac{1}{2\pi R_1 C_X}$$

$$\text{Max Attenuation} = \frac{f_{DS(on)}}{10 \text{ k}\Omega} \approx -47 \text{ dB}$$





APPLICATIONS

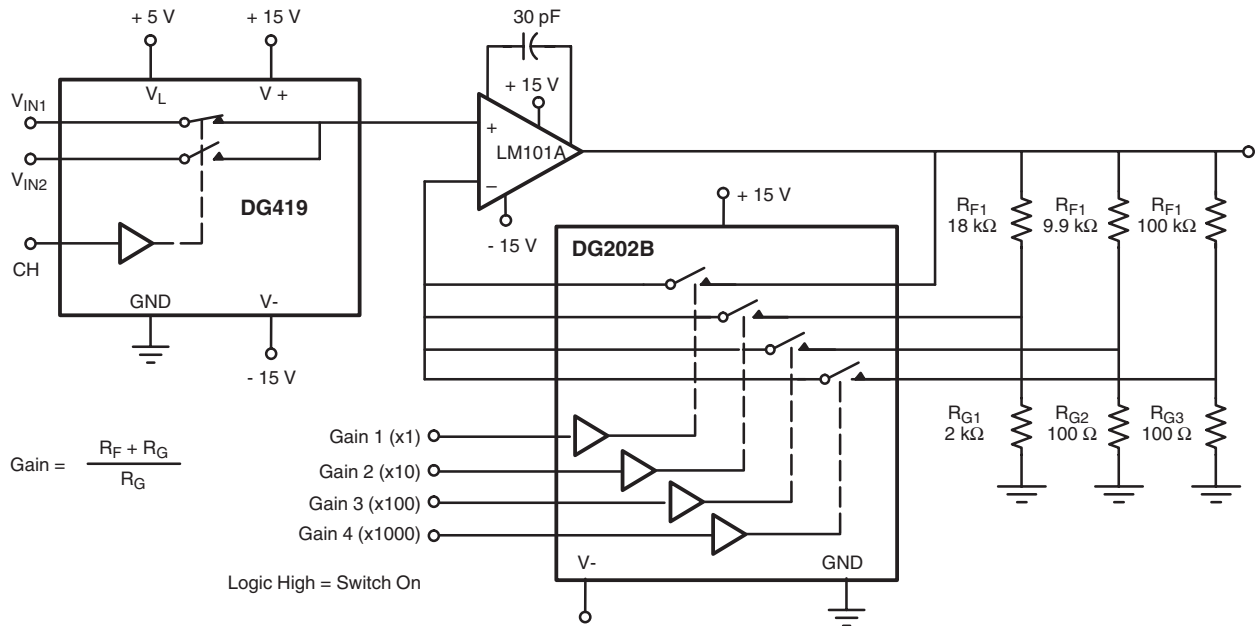


Figure 8. A Precision Amplifier with Digitally Programmable Input and Gains



### Disclaimer

All product specifications and data are subject to change without notice.

Vishay Intertechnology, Inc., its affiliates, agents, and employees, and all persons acting on its or their behalf (collectively, "Vishay"), disclaim any and all liability for any errors, inaccuracies or incompleteness contained herein or in any other disclosure relating to any product.

Vishay disclaims any and all liability arising out of the use or application of any product described herein or of any information provided herein to the maximum extent permitted by law. The product specifications do not expand or otherwise modify Vishay's terms and conditions of purchase, including but not limited to the warranty expressed therein, which apply to these products.

No license, express or implied, by estoppel or otherwise, to any intellectual property rights is granted by this document or by any conduct of Vishay.

The products shown herein are not designed for use in medical, life-saving, or life-sustaining applications unless otherwise expressly indicated. Customers using or selling Vishay products not expressly indicated for use in such applications do so entirely at their own risk and agree to fully indemnify Vishay for any damages arising or resulting from such use or sale. Please contact authorized Vishay personnel to obtain written terms and conditions regarding products designed for such applications.

Product names and markings noted herein may be trademarks of their respective owners.