



Low-Voltage Single SPDT MICRO FOOT™ Analog Switch

FEATURES

- MICRO FOOT Chip Scale Package (1.07 x 1.57 mm)
- Low Voltage Operation (1.8 V to 5.5 V)
- Low On-Resistance - $r_{DS(on)}$: 1.4 Ω
- Fast Switching - t_{ON} : 24 ns, t_{OFF} : 9 ns
- Low Power Consumption
- TTL/CMOS Compatible

BENEFITS

- Reduced Power Consumption
- Simple Logic Interface
- High Accuracy
- Reduce Board Space

APPLICATIONS

- Cellular Phones
- Communication Systems
- Portable Test Equipment
- Battery Operated Systems
- PCM Cards
- PDA

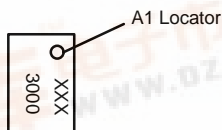
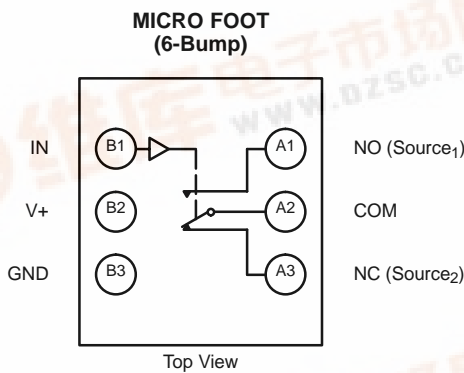
DESCRIPTION

The DG3000 is a single-pole/double-throw monolithic CMOS analog switch designed for high performance switching of analog signals. Combining low power, high speed (t_{ON} : 24 ns, t_{OFF} : 9 ns), low on-resistance ($r_{DS(on)}$: 1.4 Ω) and small physical size (MICRO FOOT, 6-bump), the DG3000 is ideal for portable and battery powered applications requiring high performance and efficient use of board space.

The DG3000 is built on Vishay Siliconix's low voltage J12 process. An epitaxial layer prevents latchup. Break-before-make is guaranteed for DG3000.

Each switch conducts equally well in both directions when on, and blocks up to the power supply level when off.

FUNCTIONAL BLOCK DIAGRAM AND PIN CONFIGURATION



Device Marking: 3000
xxx = Date/Lot Traceability Code

TRUTH TABLE

| Logic | NC | NO |
|-------|-----|-----|
| 0 | ON | OFF |
| 1 | OFF | ON |

ORDERING INFORMATION

| Temp Range | Package | Part Number |
|-------------|---|-------------|
| -40 to 85°C | MICRO FOOT: 6-Bump (2 x 3, 0.5-mm Pitch) | DG3000DB |



DG3000

Vishay Siliconix



ABSOLUTE MAXIMUM RATINGS

Reference to GND

| | | |
|---|-------|----------------------|
| V+ | | -0.3 to +6 V |
| IN, COM, NC, NO ^a | | -0.3 to (V+ + 0.3 V) |
| Continuous Current (Any terminal) | | ± 50 mA |
| Peak Current (Pulsed at 1 ms, 10% duty cycle) | | ± 200 mA |
| Storage Temperature (D Suffix) | | -65 to 150°C |
| Package Reflow Conditions ^b | | |
| VPR | | 215°C |
| IR/Convection | | 220°C |

Power Dissipation (Packages)^c

| | | |
|---------------------------------------|-------|--------|
| 6-Bump, 2 x 3 MICRO FOOT ^d | | 250 mW |
|---------------------------------------|-------|--------|

- Notes:
- a Signals on NC, NO, or COM or IN exceeding V+ will be clamped by internal diodes. Limit forward diode current to maximum current ratings.
 - b Refer to IPC/JEDEC (J-STD-020A). No hand/manual solder rework recommended
 - c All bumps soldered to PC Board.
 - d Derate 6.5 mW/°C above 25°C

| SPECIFICATIONS (V+ = 2.0 V) | | | | | | | |
|---|--|---|------------------------|-----------------------|------------------|------------------|----------|
| Parameter | Symbol | Test Conditions Otherwise Unless Specified V+ = 2.0 V, ± 10%, V _{IN} = 0.4 or 1.6 V ^e | Temp ^a | Limits -40 to 85°C | | | Unit |
| | | | | Min ^b | Typ ^c | Max ^b | |
| Analog Switch | | | | | | | |
| Analog Signal Range ^d | V _{NO} , V _{NC} , V _{COM} | | Full | 0 | | V+ | V |
| On-Resistance | r _{ON} | V+ = 1.8 V, V _{COM} = 1.0 V, I _{NO} , I _{NC} = 10 mA | Room Full ^d | | 17 | 20 22.5 | Ω |
| r _{ON} Flatness ^d | r _{ON} Flatness | V+ = 1.8 V, V _{COM} = 0 to V+, I _{NO} , I _{NC} = 10 mA | Room | | 14 | | |
| Switch Off Leakage Current ^f | I _{NO(off)} , I _{NC(off)} | V+ = 2.2 V V _{NO} , V _{NC} = 0.5 V/1.5 V, V _{COM} = 1.5 V/0.5 V | Room Full ^d | -700 -1.1 | | 700 11 | pA nA |
| | I _{COM(off)} | | Room Full ^d | -700 -1.1 | | 700 11 | pA nA |
| Channel-On Leakage Current ^f | I _{COM(on)} | V+ = 2.2 V, V _{NO} , V _{NC} = V _{COM} = 0.5 V/1.5 V | Room Full ^d | -700 -1.1 | | 700 11 | pA nA |
| Digital Control | | | | | | | |
| Input High Voltage | V _{INH} | | Full | 1.6 | | | V |
| Input Low Voltage | V _{INL} | | Full | | | 0.4 | |
| Input Capacitance ^d | C _{in} | | Full | | 5 | | pF |
| Input Current ^d | I _{INL} or I _{INH} | V _{IN} = 0 or V+ | Full | -1 | | 1 | μA |
| Dynamic Characteristics | | | | | | | |
| Turn-On Time | t _{ON} | V _{NO} or V _{NC} = 1.5 V, R _L = 300 Ω, C _L = 35 pF Figures 1 and 2 | Room Full ^d | | 61 | 76 79 | ns |
| Turn-Off Time | t _{OFF} | | Room Full ^d | | 17 | 33 36 | |
| Break-Before-Make Time | t _d | | Room | 1 | 45 | | |
| Charge Injection ^d | Q _{INJ} | C _L = 1 nF, V _{GEN} = 0 V, R _{GEN} = 0 Ω, Figure 3 | Room | | 2 | | pC |
| Off-Isolation ^d | OIRR | R _L = 50 Ω, C _L = 5 pF, f = 1 MHz | Room | | -61 | | dB |
| Crosstalk ^d | X _{TALK} | | Room | | -67 | | |
| NO, NC Off Capacitance ^d | C _{NO(off)} , C _{NC(off)} | V _{IN} = 0 or V+, f = 1 MHz | Room | | 31 | | pF |
| Channel-On Capacitance ^d | C _{ON} | | Room | | 98 | | |
| Power Supply | | | | | | | |
| Power Supply Range | V+ | | | 1.8 | | 2.2 | V |
| Power Supply Current ^d | I+ | V _{IN} = 0 or V+ | | | 0.1 | 1.0 | μA |
| Power Consumption | P _C | | | | | | 2.2 |



| SPECIFICATIONS (V+ = 3.0 V) | | | | | | | |
|---|---|--|-------------------|-----------------------|------------------|------------------|----------|
| Parameter | Symbol | Test Conditions Otherwise Unless Specified V+ = 3 V, ±10%, VIN = 0.4 or 2.0 V ^e | Temp ^a | Limits -40 to 85°C | | | Unit |
| | | | | Min ^b | Typ ^c | Max ^b | |
| Analog Switch | | | | | | | |
| Analog Signal Range ^d | V _{NO} , V _{NC} , V _{COM} | | Full | 0 | | V+ | V |
| On-Resistance ^d | r _{ON} | V+ = 2.7 V, V _{COM} = 1.5 V, I _{NO} , I _{NC} = 10 mA | Room Full | | 3.3 3.4 | 4.1 4.2 | Ω |
| r _{ON} Flatness ^d | r _{ON} Flatness | V+ = 2.7 V, V _{COM} = 0 to V+, I _{NO} , I _{NC} = 10 mA | Room | | 1.3 | | |
| Switch Off Leakage Current ^f | I _{NO(off)} , I _{NC(off)} | V+ = 3.3 V V _{NO} , V _{NC} = 1 V/3 V, V _{COM} = 3 V/1 V | Room Full | -800 -13 | | 800 13 | pA nA |
| | I _{COM(off)} | | Room Full | -800 -13 | | 800 13 | pA nA |
| Channel-On Leakage Current ^f | I _{COM(on)} | V+ = 3.3 V, V _{NO} , V _{NC} = V _{COM} = 1 V/3 V | Room Full | -800 -13 | | 800 13 | pA nA |
| Digital Control | | | | | | | |
| Input High Voltage | V _{INH} | | Full | 2 | | | V |
| Input Low Voltage | V _{INL} | | Full | | | 0.4 | |
| Input Capacitance ^d | C _{in} | | Full | | 5 | | pF |
| Input Current ^d | I _{INL} or I _{INH} | V _{IN} = 0 or V+ | Full | -1 | | 1 | μA |
| Dynamic Characteristics | | | | | | | |
| Turn-On Time ^d | t _{ON} | V _{NO} or V _{NC} = 2.0 V, R _L = 300 Ω, C _L = 35 pF Figure 1 and 2 | Room Full | | 34 | 49 52 | ns |
| Turn-Off Time ^d | t _{OFF} | | Room Full | | 12 | 30 33 | |
| Break-Before-Make Time ^d | t _d | | Room | 1 | 23 | | |
| Charge Injection ^d | Q _{INJ} | C _L = 1 nF, V _{GEN} = 0 V, R _{GEN} = 0 Ω, Figure 3 | Room | | 4 | | pC |
| Off-Isolation ^d | OIRR | R _L = 50 Ω, C _L = 5 pF, f = 1 MHz | Room | | -61 | | dB |
| Crosstalk ^d | X _{TALK} | | Room | | -67 | | |
| NO, NC Off Capacitance ^d | C _{NO(off)} , C _{NC(off)} | V _{IN} = 0 or V+, f = 1 MHz | Room | | 31 | | pF |
| Channel-On Capacitance ^d | C _{ON} | | Room | | 47 | | |
| Power Supply | | | | | | | |
| Power Supply Range | V+ | | | 2.7 | | 3.3 | V |
| Power Supply Current ^d | I+ | V _{IN} = 0 or V+ | | | 0.1 | 1.0 | μA |
| Power Consumption | P _C | | | | | | 3.3 |

DG3000

Vishay Siliconix



| SPECIFICATIONS (V+ = 5.0 V) | | | | | | | |
|---------------------------------------|---|--|-------------------|-----------------------|------------------|------------------|------|
| Parameter | Symbol | Test Conditions Otherwise Unless Specified V+ = 5 V, ±10%, VIN = 0.8 or 2.4 V ^e | Temp ^a | Limits -40 to 85°C | | | Unit |
| | | | | Min ^b | Typ ^c | Max ^b | |
| Analog Switch | | | | | | | |
| Analog Signal Range ^d | V _{NO} , V _{NC} , V _{COM} | | Full | 0 | | V+ | V |
| On-Resistance | r _{ON} | V+ = 4.5 V, V _{COM} = 3 V, I _{NO} , I _{NC} = 10 mA | Room Full | | 1.4 1.6 | 2.3 2.8 | Ω |
| r _{ON} Flatness ^d | r _{ON} Flatness | V+ = 4.5 V, V _{COM} = 0 to V+, I _{NO} , I _{NC} = 10 mA | Room | | 0.5 | | |
| Switch Off Leakage Current | I _{NO(off)} , I _{NC(off)} | V+ = 5.5 V V _{NO} , V _{NC} = 1 V/4.5 V, V _{COM} = 4.5 V/1 V | Room Full | -1.2 -21 | | 1.2 21 | nA |
| | I _{COM(off)} | | Room Full | -1.2 -21 | | 1.2 21 | |
| Channel-On Leakage Current | I _{COM(on)} | V+ = 5.5 V, V+ = 5.5 V V _{NO} , V _{NC} = V _{COM} = 1 V/4.5 V | Room Full | -1.2 -21 | | 1.2 21 | |
| Digital Control | | | | | | | |
| Input High Voltage | V _{INH} | | Full | 2.4 | | | V |
| Input Low Voltage | V _{INL} | | Full | | | 0.8 | |
| Input Capacitance | C _{in} | | Full | | 5 | | pF |
| Input Current | I _{INL} or I _{INH} | V _{IN} = 0 or V+ | Full | -1 | | 1 | μA |
| Dynamic Characteristics | | | | | | | |
| Turn-On Time ^d | t _{ON} | V _{NO} or V _{NC} = 3 V, R _L = 300 Ω, C _L = 35 pF Figure 1 and 2 | Room Full | | 24 | 36 39 | ns |
| Turn-Off Time ^d | t _{OFF} | | Room Full | | 9 | 22 25 | |
| Break-Before-Make Time ^d | t _d | | Room | 1 | 15 | | |
| Charge Injection ^d | Q _{INJ} | C _L = 1 nF, V _{GEN} = 0 V, R _{GEN} = 0 Ω, Figure 3 | Room | | 38 | | pC |
| Off-Isolation ^d | OIRR | R _L = 50 Ω, C _L = 5 pF, f = 1 MHz | Room | | -61 | | dB |
| Crosstalk ^d | X _{TALK} | | Room | | -67 | | |
| Source-Off Capacitance ^d | C _{NO(off)} , C _{NC(off)} | V _{IN} = 0 or V+, f = 1 MHz | Room | | 30 | | pF |
| Channel-On Capacitance ^d | C _{ON} | | Room | | 96 | | |
| Power Supply | | | | | | | |
| Power Supply Range | V+ | | | 4.5 | | 5.5 | V |
| Power Supply Current | I+ | V _{IN} = 0 or V+ | | | 0.1 | 1.0 | μA |
| Power Consumption | P _C | | | | | | 5.5 |

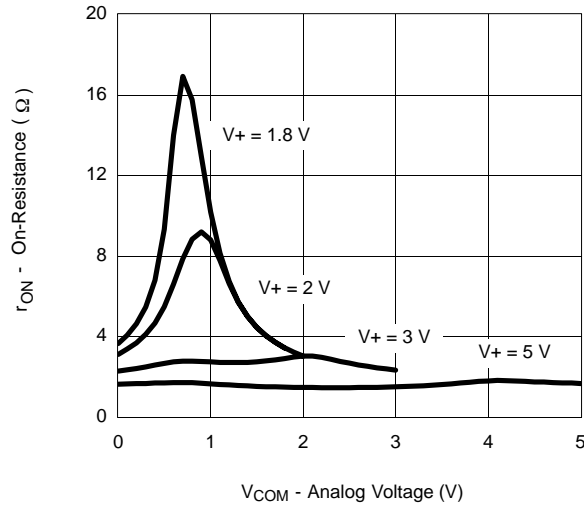
Notes:

- Room = 25°C, Full = as determined by the operating suffix.
- The algebraic convention whereby the most negative value is a minimum and the most positive a maximum, is used in this data sheet.
- Typical values are for design aid only, not guaranteed nor subject to production testing.
- Guarantee by design, nor subjected to production test.
- V_{IN} = input voltage to perform proper function.
- Guaranteed by 5-V leakage testing, not production tested.

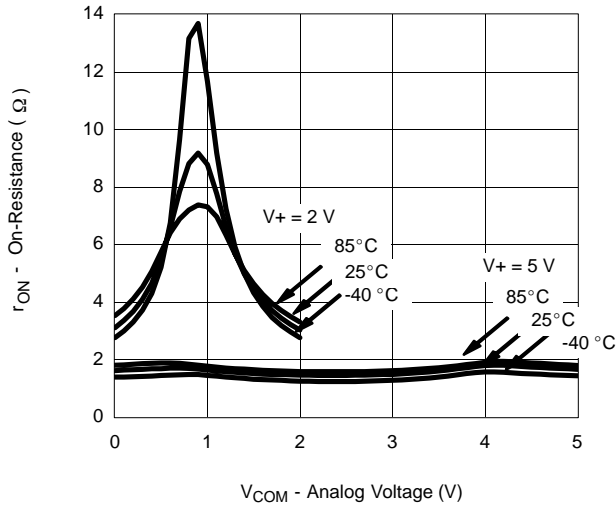


TYPICAL CHARACTERISTICS (25 °C UNLESS NOTED)

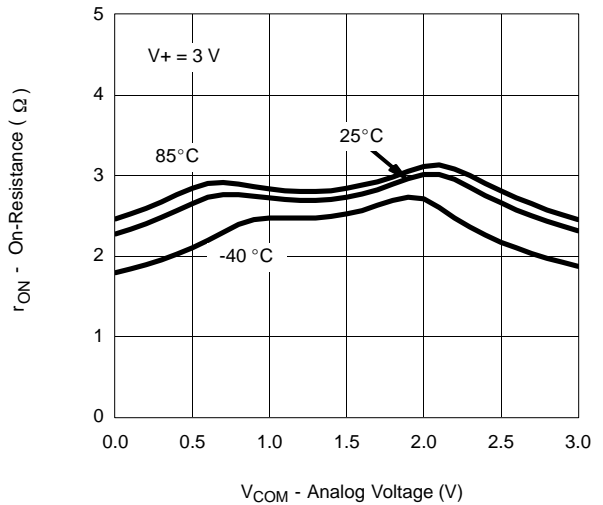
r_{ON} vs. V_{COM} and Supply Voltage



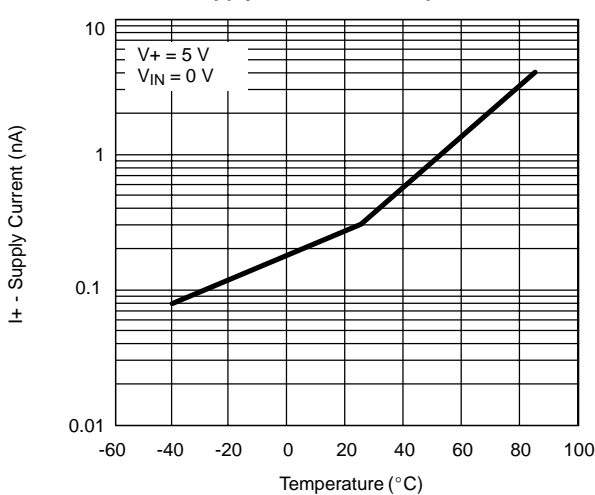
r_{ON} vs. Analog Voltage and Temperature



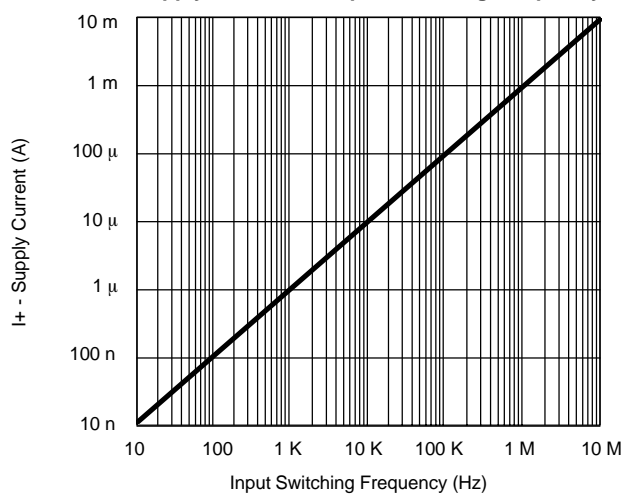
r_{ON} vs. Analog Voltage and Temperature



Supply Current vs. Temperature

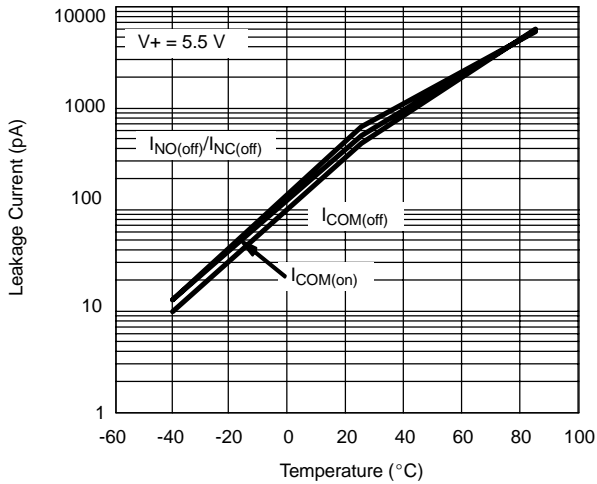


Supply Current vs. Input Switching Frequency

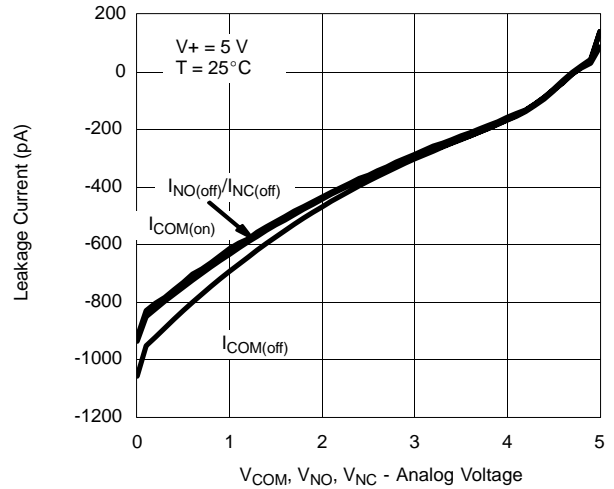


TYPICAL CHARACTERISTICS (25 °C UNLESS NOTED)

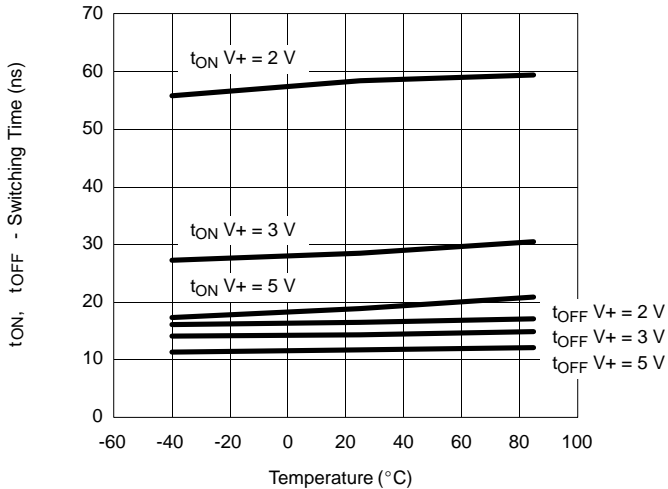
Leakage Current vs. Temperature



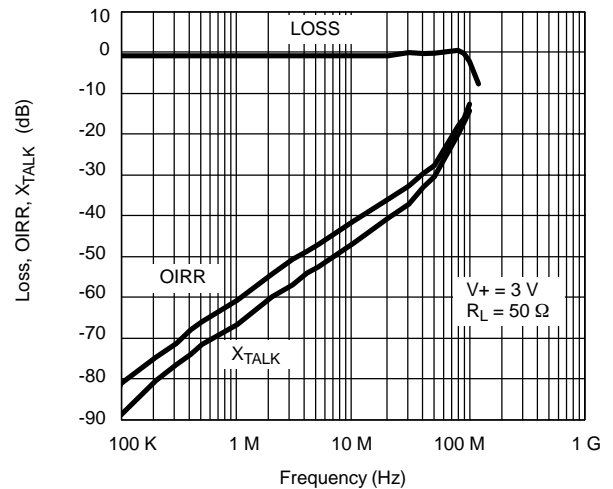
Leakage vs. Analog Voltage



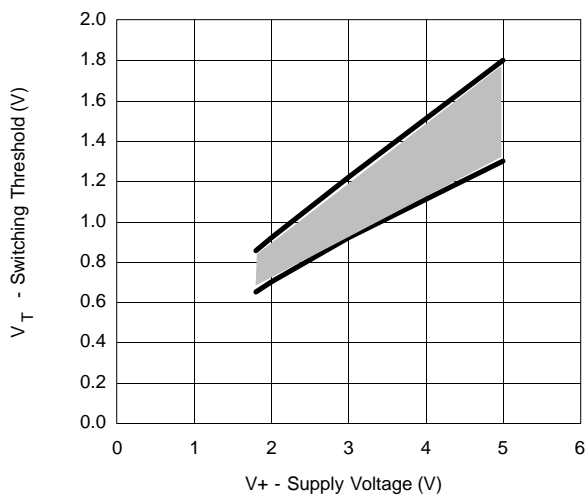
Switching Time vs. Temperature and Supply Voltage



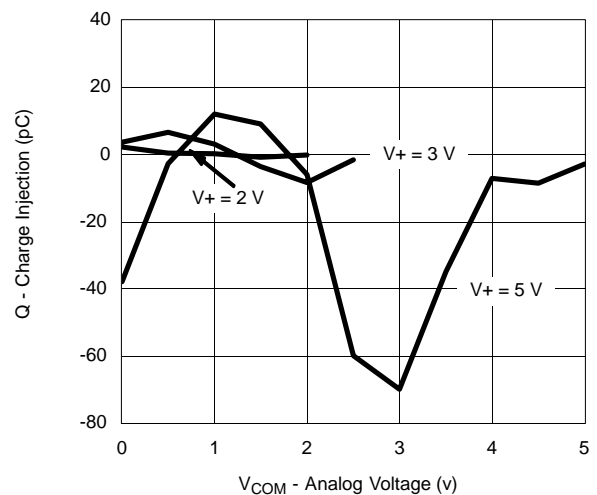
Insertion Loss, Off-Isolation, Crosstalk vs. Frequency



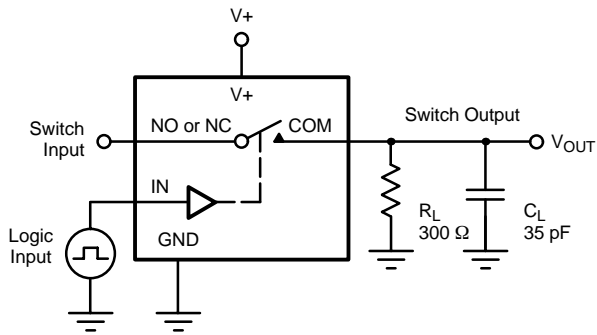
Switching Threshold vs. Supply Voltage



Charge Injection vs. Analog Voltage

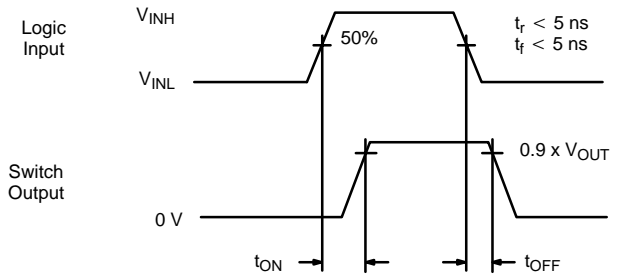


TEST CIRCUITS



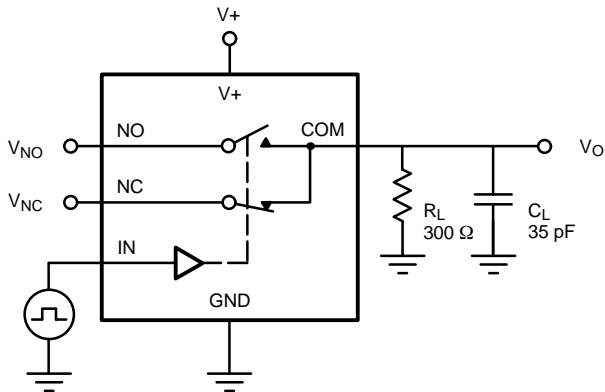
C_L (includes fixture and stray capacitance)

$$V_{OUT} = V_{COM} \left(\frac{R_L}{R_L + R_{ON}} \right)$$



Logic "1" = Switch On
Logic input waveforms inverted for switches that have the opposite logic sense.

FIGURE 1. Switching Time



C_L (includes fixture and stray capacitance)

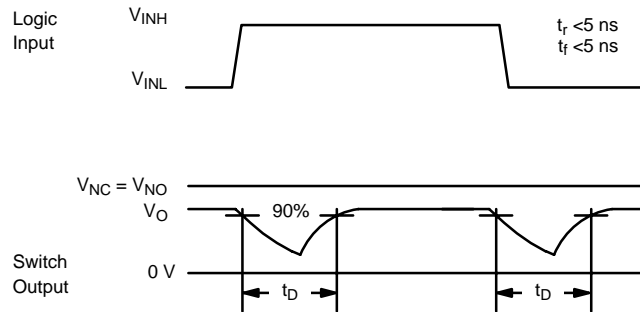
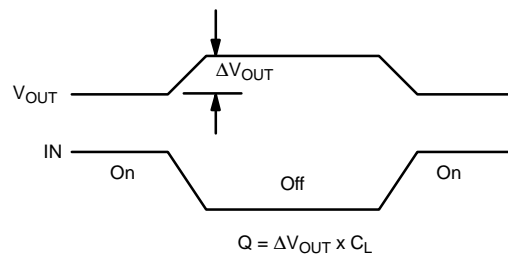
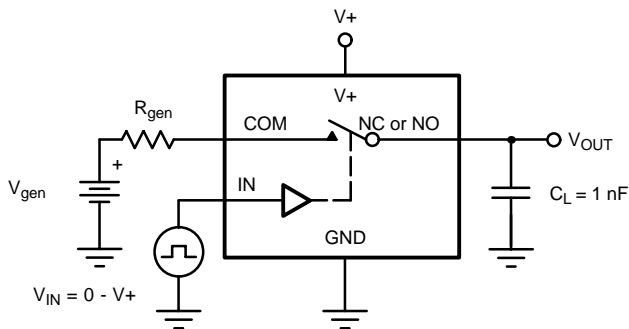


FIGURE 2. Break-Before-Make Interval



IN depends on switch configuration: input polarity determined by sense of switch.

FIGURE 3. Charge Injection

TEST CIRCUITS

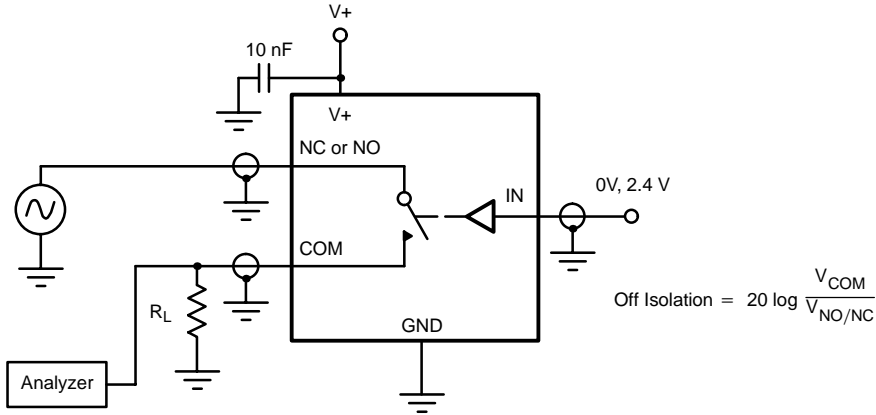


FIGURE 4. Off-Isolation

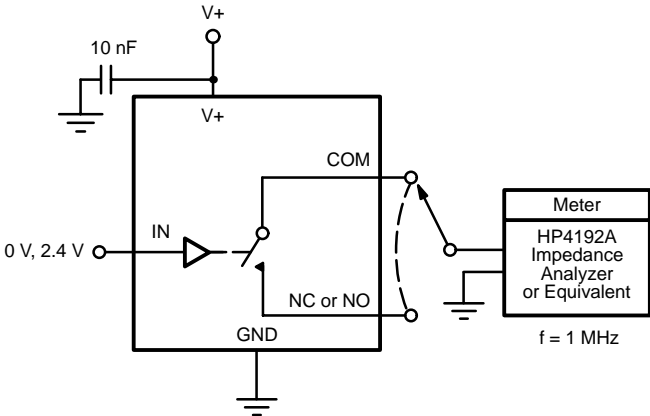
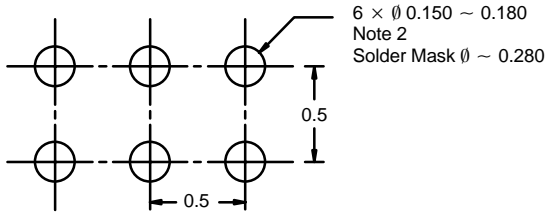


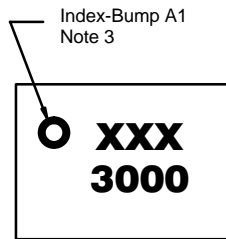
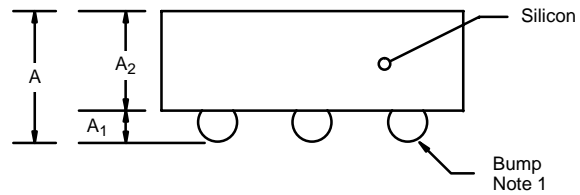
FIGURE 5. Channel Off/On Capacitance

PACKAGE OUTLINE

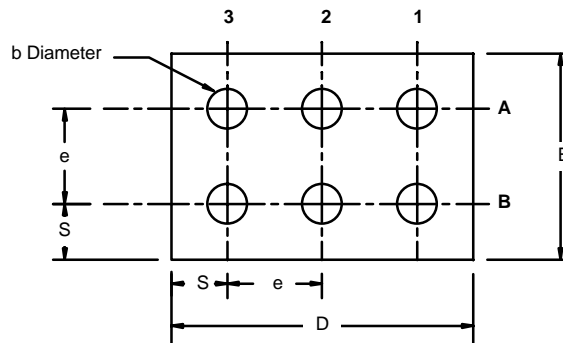
MICRO FOOT: 6-BUMP (2 X 3, 0.5-mm PITCH)



Recommended Land Pattern



Top Side (Die Back)



NOTES (Unless Otherwise Specified):

1. Bump is Eutectic 63/57 Sn/Pb.
2. Non-solder mask defined copper landing pad.
3. Laser Mark on silicon die back; no coating. Shown is not actual marking; sample only.

| Dim | MILLIMETERS* | | INCHES | |
|----------------------|--------------|-------|--------------|--------|
| | Min | Max | Min | Max |
| A | 0.615 | 0.715 | 0.0242 | 0.0281 |
| A₁ | 0.140 | 0.190 | 0.0055 | 0.0075 |
| A₂ | 0.475 | 0.525 | 0.0187 | 0.0207 |
| b | 0.180 | 0.250 | 0.0071 | 0.0098 |
| D | 1.555 | 1.585 | 0.0612 | 0.0624 |
| E | 1.055 | 1.085 | 0.0415 | 0.0427 |
| e | 0.5 BASIC | | 0.0197 BASIC | |
| S | 0.278 | 0.293 | 0.0109 | 0.0115 |

* Use millimeters as the primary measurement.