

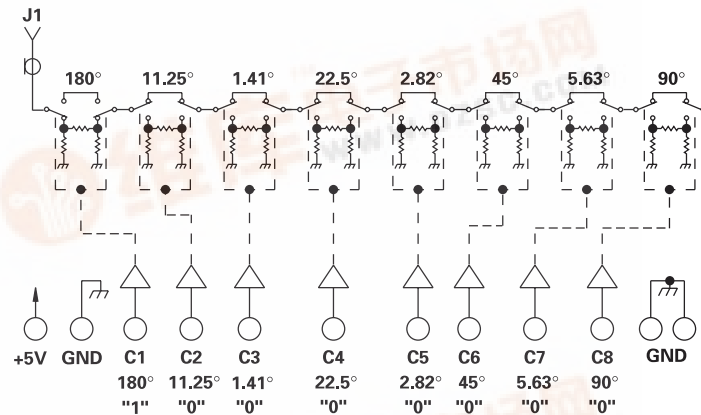
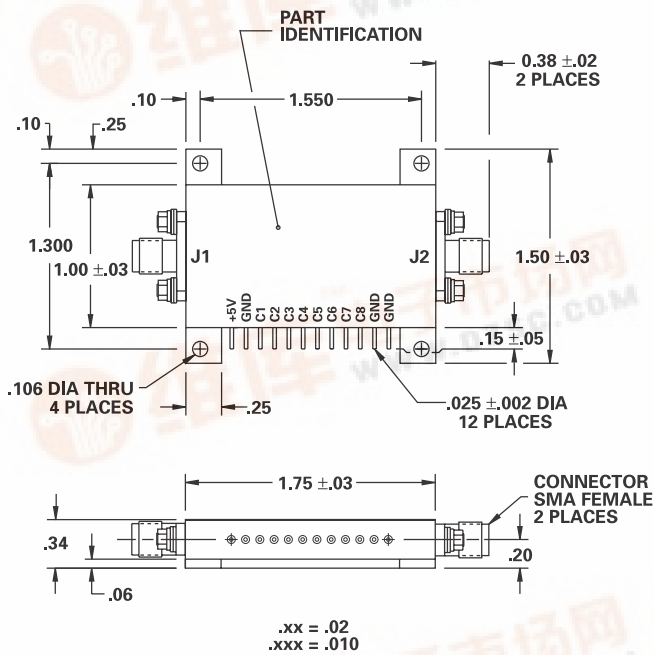
**MODEL NUMBER  
DPS86315**

**Phase Shifter 8 Section**

**FEATURES**

- 1665-1685 MHz
- SMA Female Connectors
- 1.4 Degrees LSB
- 358.6 Degrees Range
- 180 nSec Switching Speed

**8 BIT**



**GUARANTEED PERFORMANCE**

Parameter	Min	Typ	Max	Units	Conditions
Operating Frequency	1665	1675	1685	MHz	
DC Current		8.3	18	mA	At +5 VDC Supply
Control Type		TTL			8 Line Logic "1" = Phase
Control Current	High Low		±10 ±10	µA	V <sub>IH</sub> = +2.7 V V <sub>IL</sub> = +0.5 V
Insertion Loss		5.9	8	dB	
Phase	LSB Range Accuracy	1.4	358.61 ±5 ±10	DEG DEG DEG	1.41, 2.82, 5.63, 11.25 22.5, 45, 90, 180 Any One Bit Any Combination of Bits
VSWR		1.2/1	1.6/1		
Impedance		50		OHMS	
Switching Speed		180		nSec	50% TTL to 90% / 10% RF
Transition (Rise/Fall) Time		30		nSec	10% / 90% or 90% / 10% RF
Switching (Video) Transients		300		mV	Peak Value
Intercept Points	2nd 3rd	+60 +25	+45 +35	dBm dBm	1700 MHz / 900 MHz 850 MHz / 900 MHz
RF Power	Operate No Damage		+15 +20	dBm dBm	0.1 dB Compression
Operating Temperature		0	+25 +71	°C	TA

**TYPICAL PERFORMANCE**  
at 25°C

