



Micro Commercial Components
 20736 Marilla Street Chatsworth
 CA 91311
 Phone: (818) 701-4933
 Fax: (818) 701-4939

**DR251
 THRU
 DR256**

Features

- Low Leakage
- Low Forward Voltage Drop
- High Current Capability
- High Forward Surge Current Capability

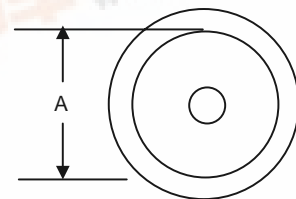
**25 Amp
 Automotive Rectifier
 100 to 600 Volts**

Maximum Ratings

- Operating Temperature: -65°C to +175°C
- Storage Temperature: -65°C to +175°C

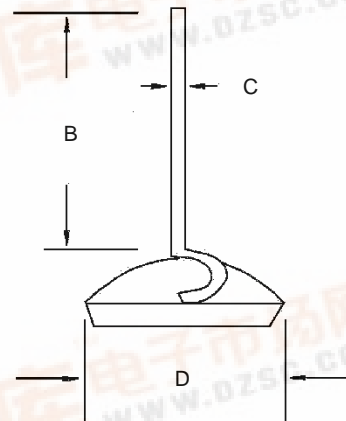
MCC Part Number	Maximum Recurrent Peak Reverse Voltage	Maximum RMS Voltage	Maximum DC Blocking Voltage
DR251	100V	70V	100V
DR252	200V	140V	200V
DR253	300V	210V	300V
DR254	400V	280V	400V
DR256	600V	420V	600V

DR25/35



Electrical Characteristics @ 25°C Unless Otherwise Specified

Average Forward Current	$I_{F(AV)}$	25A	$T_C = 105^\circ C$
Peak Forward Surge Current	I_{FSM}	400A	8.3ms, half sine
Maximum Instantaneous Forward Voltage	V_F	1.15V	$I_{FM} = 80A$
Maximum DC Reverse Current At Rated DC Blocking Voltage	I_R	5µA 350µA	$T_A = 25^\circ C$ $T_C = 100^\circ C$
Rating for Fusing	I^2t	664 A ² S	t<8.3ms
Typical Thermal Resistance	$R_{\theta JC}$	1.0°C/W	Note 1



Note 1: at 0.5" (12.7) lead length(P.C.B. mounted)

DIM	INCHES		MM		NOTE
	MIN	MAX	MIN	MAX	
A	---	5.500	---	33.00	
B	.710	.780	18.00	20.00	
C	.057	.065	1.45	1.65	
D	.370	.390	9.50	9.90	





Micro Commercial Components

*****IMPORTANT NOTICE*****

Micro Commercial Components Corp. reserves the right to make changes without further notice to any product herein to make corrections, modifications, enhancements, improvements, or other changes. *Micro Commercial Components Corp.* does not assume any liability arising out of the application or use of any product described herein; neither does it convey any license under its patent rights, nor the rights of others. The user of products in such applications shall assume all risks of such use and will agree to hold *Micro Commercial Components Corp.* and all the companies whose products are represented on our website, harmless against all damages.

*****APPLICATIONS DISCLAIMER*****

Products offer by *Micro Commercial Components Corp.* are not intended for use in Medical, Aerospace or Military Applications.