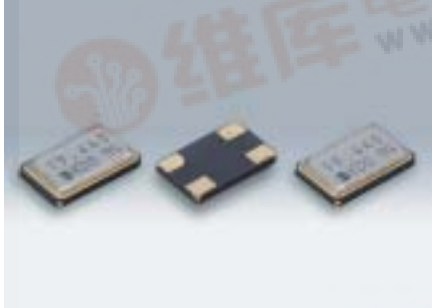


SMD Type Crystal Resonators

DSX531S



Actual size

Features

- SMD crystal resonator with size 4931 and thickness 0.75mm. Miniature and thin.
- High precision and reliability.
- Suitable for various applications, particularly mobile telecommunications equipment.

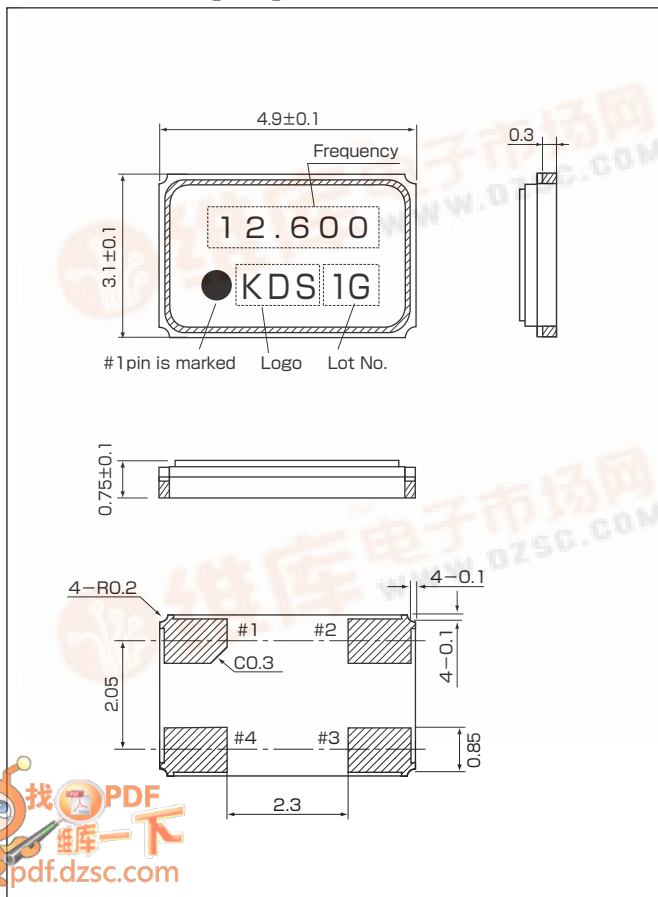
Generic Specification

Item	Type	DSX531S	
Frequency Range		10~12MHz	12~40MHz
Vibration Mode		Fundamental	
Load Capacitance		Series, 8pF, 10pF, 12pF	
Drive Level		10μW(300μW max.)	
Frequency Tolerance		±10×10 ⁻⁶ , ±20×10 ⁻⁶ , ±30×10 ⁻⁶ (at 25°C)	
Series Resistance		80Ω max.	50Ω max.
Frequency Characteristics over Temperature		±5×10 ⁻⁶ / -10~+60°C (Ref. to 25°C)	
		±10×10 ⁻⁶ / -20~+70°C (Ref. to 25°C)	
		±15×10 ⁻⁶ / -30~+85°C (Ref. to 25°C)	
Storage Temperature Range		-40~+85°C	

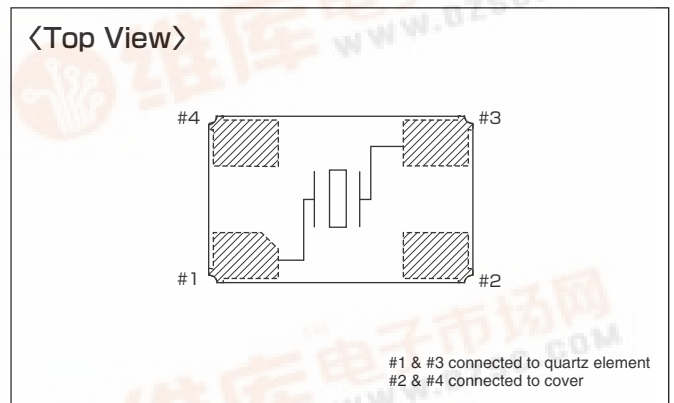
Packing Unit : 1000pcs./reel (φ 180)

Consult our sales representative for other specifications.

Dimensions [mm]



Internal Connections



Recommended Land Pattern [mm]

