

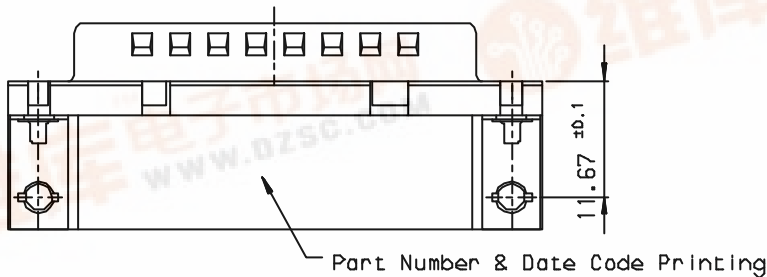
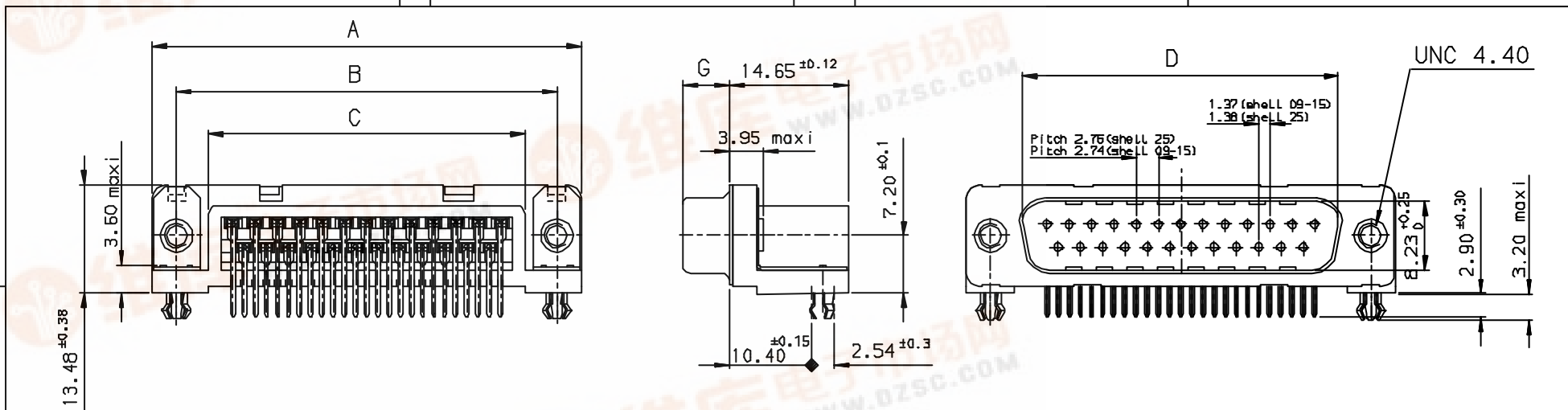
查询D15P13A4GX00供应商

捷多邦, 专业PCB打样工厂, 24小时加急出货

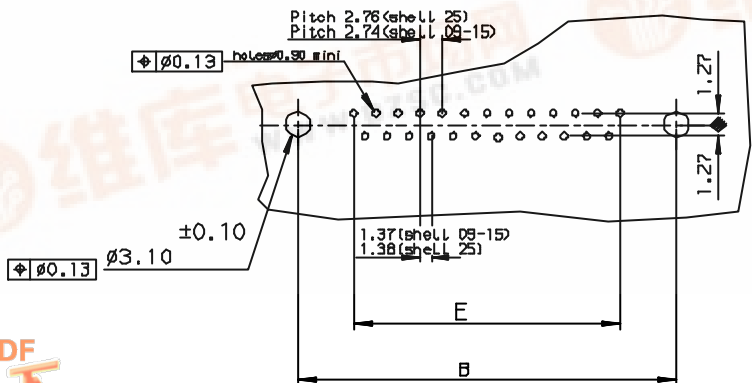
Tous droits réservés. Reproduction ou communication de ces tiers interdite sans autorisation écrite de la propriété de la FCI. Drets de reproduction FCI.

A
FCI

All rights reserved. Reproduction or reuse in any form without written authorization from the proprietor.



PC card drilling dimensions(after plating)
[thickness 1.60±0.20mm]



Core range						
SHELL	A±0.38	B±0.12	C±0.10	D±0.25	G±0.25	PART NUMBER
09	30.81	24.99	16.96	16.79	5.90	D09P13A4GX00**
15	39.14	33.32	25.18	25.12	5.90	D15P13A4GX00**
25	53.03	47.04	39.12	38.84	5.70	D25P13A4GX00**

GENERAL CHARACTERISTICS : SEE DRAWING C01-8646-0000

LF FOR LEAD FREE

Dr JOHN SLEEBA		1/8/94	Product Family	D-500	Tolerance LINEAR ±0.1 ANGULAR ±1°	Projection	MM
Eng GEORGE VJ		1/8/94	Spec ref		Size	A3	Scale
Chr GEORGE VJ		27/7/05	Material		ECN		
Appr K Somasundaram		27/7/05					

A FCI	Title	Dwg no	Rev.
	MALE CONNECT.DELTA D RIGHT ANGLED WITH NUT, HARPOON & METAL PLATE.	C01-8646-02B1	J
Catalog no	DELTA-D	CUSTOMER COPY	Sheet 1 of 1

INDEX	DATE	REVISION DESCRIPTION
	27/7/05	LEAD FREE DETAILS ADDED