

# D6 SPST Momentary Key Switches



### Features/Benefits

- Easy X, Y coding on single side PCB
- Positive tactile feedback
- High temperature type available
- Wide variety of colors & styles

### Typical Applications

- Automotive
- Video
- Electronic games
- Appliances

### Construction

FUNCTION: momentary  
CONTACT ARRANGEMENT: 1 make contact (SPST), NO  
DISTANCE BETWEEN BUTTON CENTERS, MIN.: 12,7 (0.500)  
TERMINALS: PC pins

### Electrical

SWITCHING POWER MAX.: 6 VA  
SWITCHING VOLTAGE MAX.: 100 V DC  
SWITCHING CURRENT MAX.: 100 mA DC  
DIELECTRIC STRENGTH (50 Hz / 1 min): 1000 V  
OPERATING LIFE with max. switching power:  $\geq 2.5 \times 10^6$  operations  
CONTACT RESISTANCE:  $\leq 100 \text{ m}\Omega$   
INSULATION RESISTANCE:  $\geq 10^{11} \Omega$   
BOUNCE TIME:  $\leq 3 \text{ ms}$

### Mechanical

SWITCHING TRAVEL:  $0,8 \pm 0,2$  ( $0.0301 \pm 0.0078$ )  
OPERATING FORCE:  $1.3 \text{ N} \pm 30\%$  (130 grams  $\pm 30\%$ )

### Environmental

OPERATING TEMPERATURE:  $-20^\circ\text{C}$  to  $85^\circ\text{C}$ .

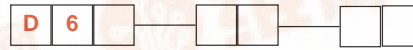
### Process

SOLDERABILITY:  
Hand soldering:  $350^\circ\text{C}$  for 3 seconds  
Wave or bath soldering:  $225^\circ\text{C}$  for 5 seconds  
High Temperature version:  $260^\circ\text{C}$  for 5 seconds\*\*  
Cleaning: Use solvents compatible with ABS

### How To Order

Our easy build-a-switch concept allows you to mix and match options to create the switch you need. To order, select desired option from each category and place it in the appropriate box.

#### Switch



#### Series

- D6C Square
- D6R Round
- D6F Flat\*
- D6L Plunger\*

#### Switch Color

- 00 White
- 10 Gray
- 30 Yellow
- 40 Red
- 50 Green
- 60 Blue
- 80 Ivory
- 90 Black

#### Option

- NONE Standard
- HT High Temperature\*\*

\*Available in black only.  
\*\* Only available in red, blue and black

Buttons can be ordered separately. Shipped in bulk.



#### Series

- BTND6 Button

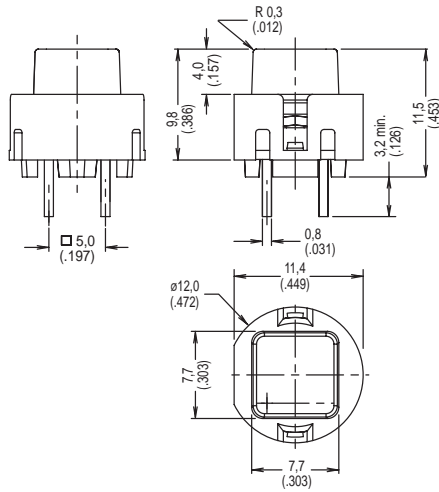
#### Button Color

- 00 White
- 10 Gray
- 30 Yellow
- 40 Red
- 50 Green
- 60 Blue
- 80 Ivory
- 90 Black

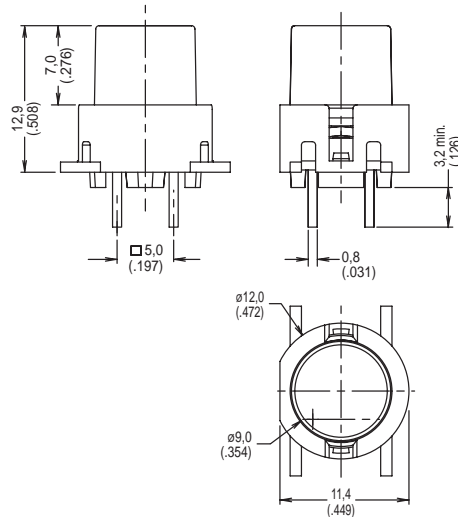
# D6 SPST Momentary Key Switches

SERIES

## D6C



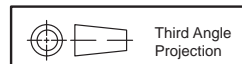
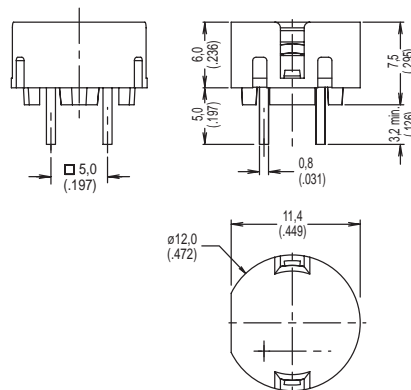
## D6R



D

Key Switches

## D6F Only available in black

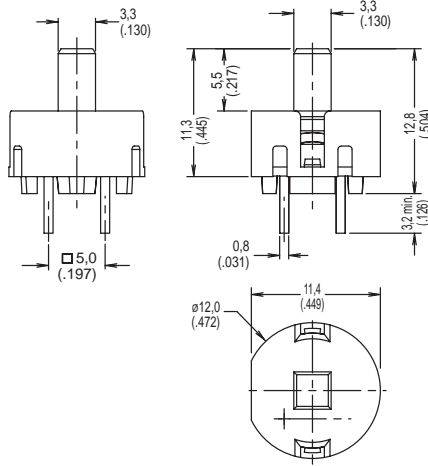


Third Angle  
Projection

# D6 SPST Momentary Key Switches

## SERIES

**D6L** Only available in black



## SWITCH COLORS



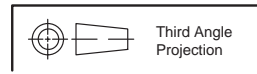
Key Switches

OPTION CODE	SWITCH COLOR
<b>00</b>	WHITE
<b>10</b>	GRAY
<b>30</b>	YELLOW
<b>40</b>	RED
<b>50</b>	GREEN
<b>60</b>	BLUE
<b>80</b>	IVORY
<b>90</b>	BLACK

## OPTION

**NONE** STANDARD

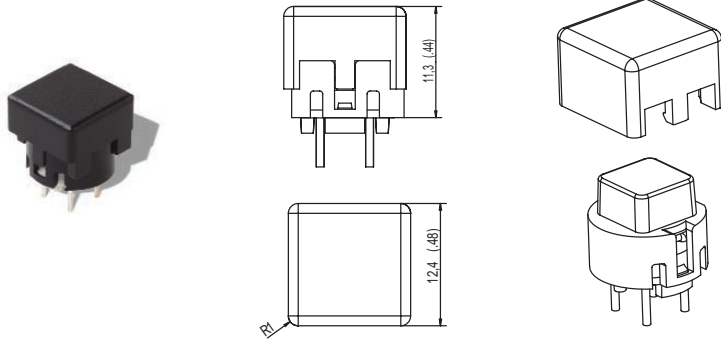
**HT** HIGH TEMPERATURE



# D6 SPST Momentary Key Switches

## BUTTON AVAILABLE

**BTND6** Buttons must be ordered separately. Shipped in bulk.



OPTION CODE	BUTTON COLOR
00	WHITE
10	GRAY
30	YELLOW
40	RED
50	GREEN
60	BLUE
80	IVORY
90	BLACK



D

Key Switches