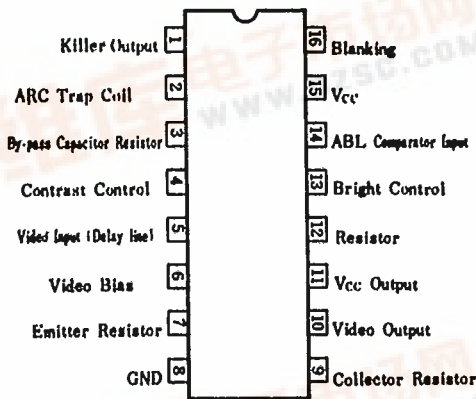
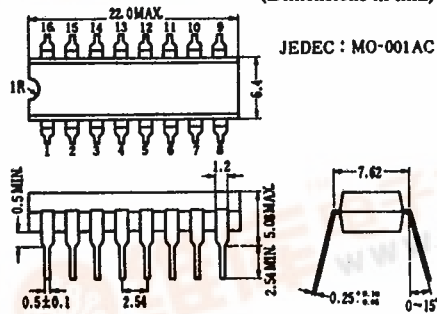




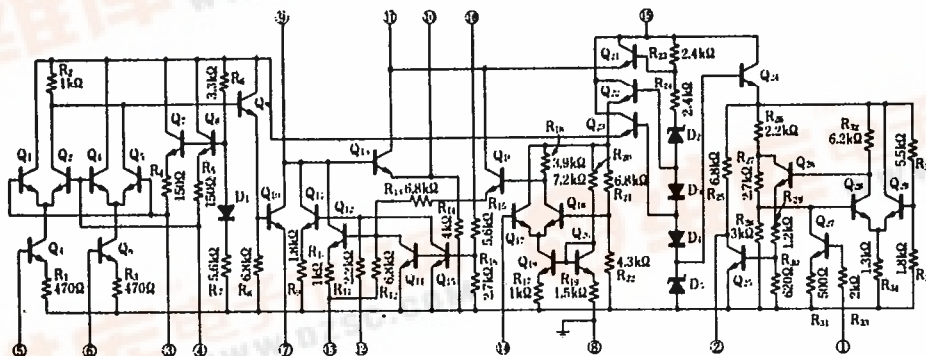
Pin Connection(Top View)



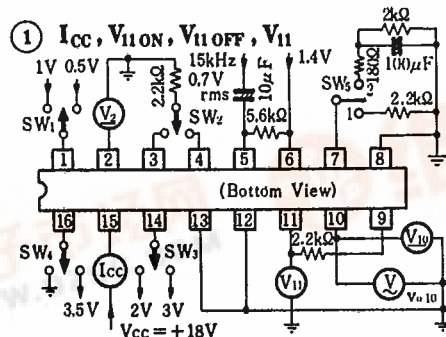
(Dimensions in mm)



Equivalent Circuit

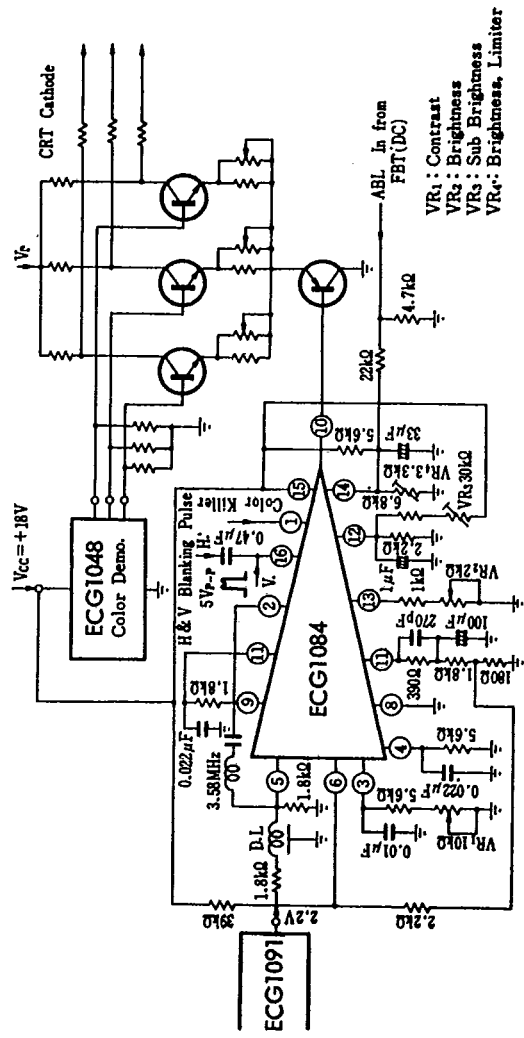


Test Circuit

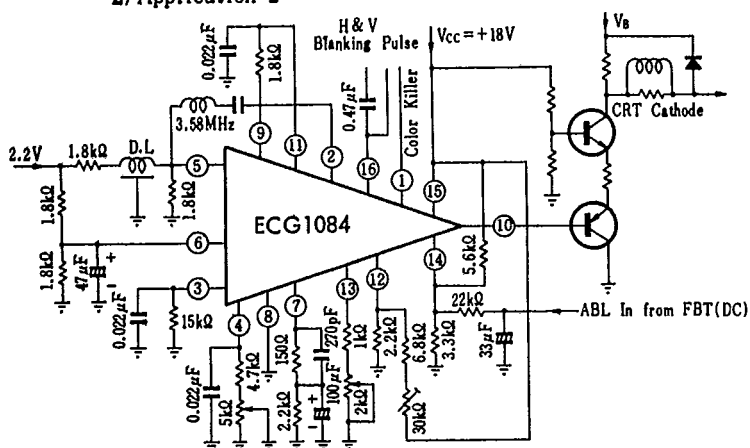


Application

1/ Application 1



2/Application 2



Absolute Maximum Ratings ($T_a=25^\circ\text{C}$)

Symbol	Rating	Unit
V_{CC}	22	V
I_{CO}	40	mA
P_D	360	mW
V_{I1}	5	V_{DC}
V_{I5}	5	V_{DC}
V_{I14}	6.5	V_{DC}
V_{I16}	15	V_{P-P}
T_{opt}	$-20 \sim +75$	$^\circ\text{C}$
T_{stg}	$-40 \sim +125$	$^\circ\text{C}$

Electrical Characteristics ($T_a=25 \pm 3^\circ\text{C}$, $V_{CC}=18\text{V}$)

Symbol	Circuit	Test Condition	MIN.	TYP.	MAX.	Unit
I_{CC}	①	ARC ON	12	18	21	mA
V_{I5}		$f = 15\text{kHz}$	2.0	2.5		V_{P-P}
V_{O16}		$f = 15\text{kHz}$, $R_L = 2.2\text{k}\Omega$, $R_e = 180\Omega$, $R_g = 2.2\text{k}\Omega$	4.5	5		V_{P-P}
V_{I14}			2.1	2.5	2.9	V
V_{I1ON}	①	ARC ON	1.0			V
V_{I1OFF}	①	ARC OFF			0.5	V
$Z_{ARC ON}$		ARC ON 2-GND		50		Ω
$Z_{ARC OFF}$		ARC OFF		6.8		$\text{k}\Omega$
V_{I1}	①		13.4	14.8		V
V_I				5		V