

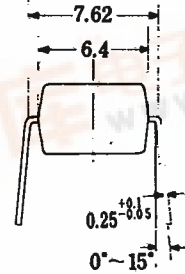
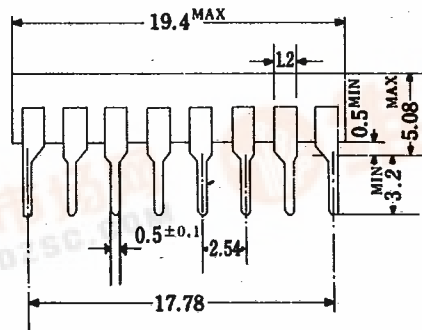
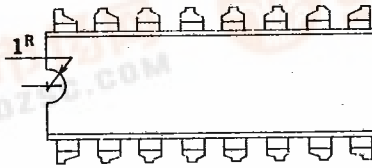


## ECG1086

**SYNCHRONOUS SEPARATOR,  
HORIZONTAL AFC,  
HORIZONTAL OSCILLATOR**

**Basing:**

1. Vcc
2. Osc Output
3. Regulated Voltage Output
4. Capacitor
5. Osc Regulator Input
6. AFC Output
7. Resistor
8. Ground
9. Hor Hold
10. Filter
11. Comparative Pulse Input
12. Hor Sync Pulse Input
13. Capacitor
14. Composite Video Input (Sync Positive)
15. Composite Video Input (Sync Negative)
16. Sync Separator Output



**Electrical Characteristics**

( $T_a = 25^\circ\text{C} \pm 3^\circ\text{C}$   $V_B = 18\text{V}$   $R_X = 330\Omega$ )

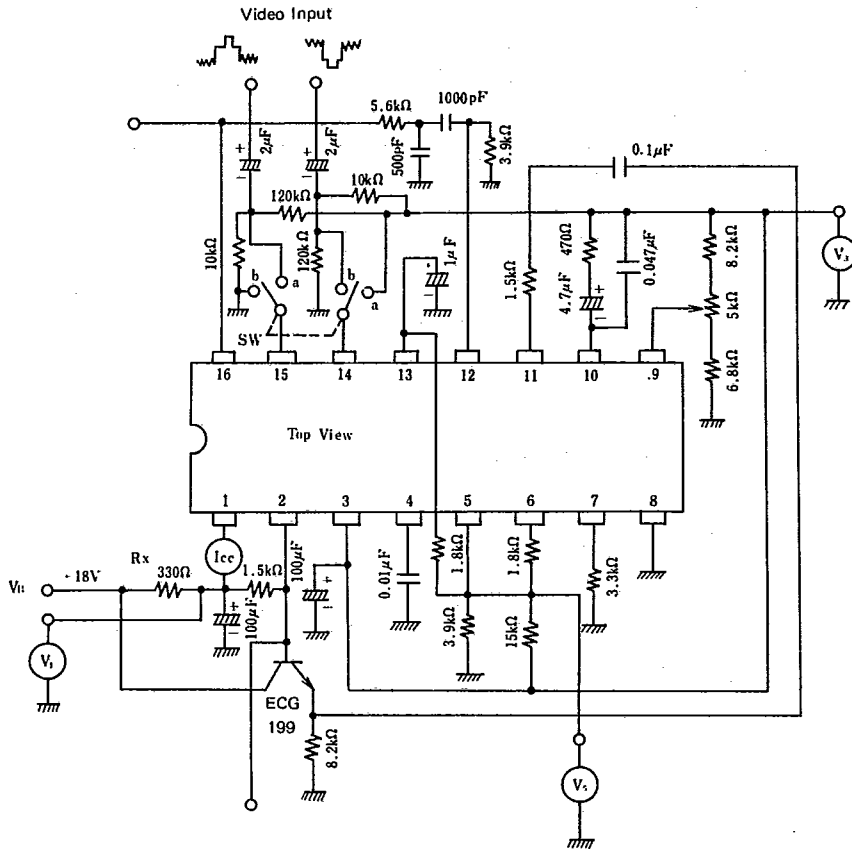
TEST	CONDITIONS	LIMITS			UNITS
		MIN.	TYP.	MAX.	
$I_{cc}$	15.75KHz	27	30	32	mA
$V_i$	$V_B = 18\text{V}$ $R_X = 330\Omega$	7.6	8.3	9.0	V
$V_o$		5.8	6.3	6.8	V
$E_{O(SYNC)}$	1VP-P	6.0	7.3	8.5	V <sub>P-P</sub>
$f_{osc}$			15750		Hz
$f_{PULL}$			600		Hz
$f_{HOLD}$			1000		Hz
$V_s$	$f_H = 15750\text{Hz}$ $C_T = 0.01\mu\text{F}$	1.5	1.7	2.0	V
$V_{ON}$		19	22	26	$\mu\text{s}$
$i_{out}$	$V_B = 18\text{V}$ , $R_X = 200\Omega$	30			mA

**Absolute Maximum Ratings**  
( $T_a = 25^\circ\text{C}$ )

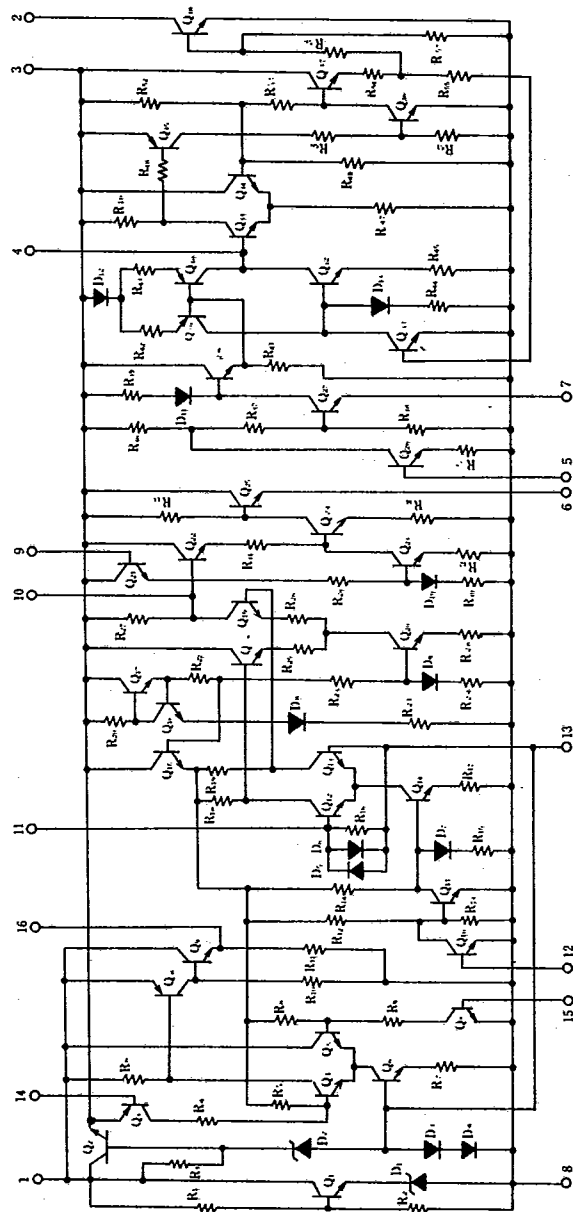
$V_{cc}$	15	V
$I_{cc}$	40	mA
$P_d$ $T_a = 25^\circ\text{C}$	350	mW
$V_i(\text{sync})$	5	V <sub>P-P</sub>
$V_{iH}$	12	V <sub>P-P</sub>
$I_o(\text{osc})$	40	mA <sub>P-P</sub>
$T_{opt}$	-20 ~ +75	$^\circ\text{C}$
$T_{stg}$	-40 ~ +125	$^\circ\text{C}$



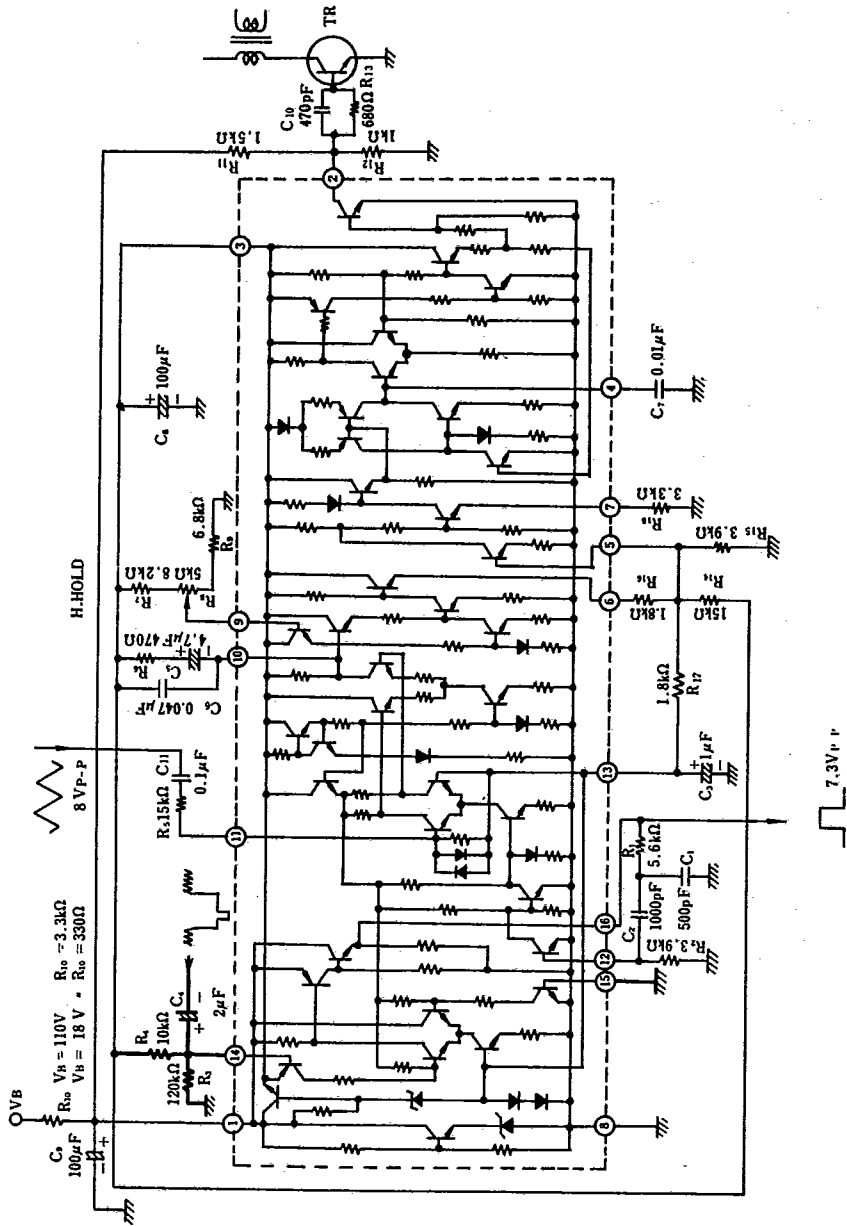
Test Circuit



Equivalent Circuit



Typical Application



Typical Application

