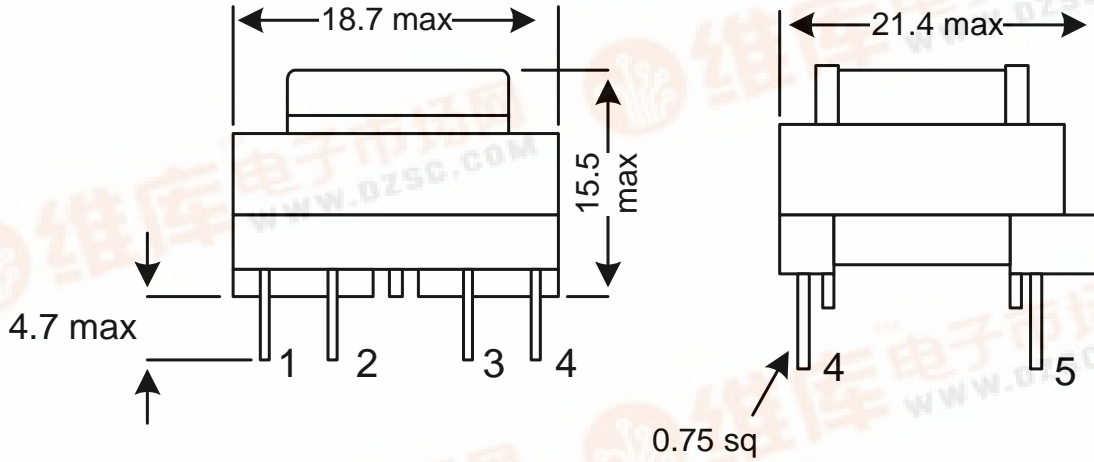




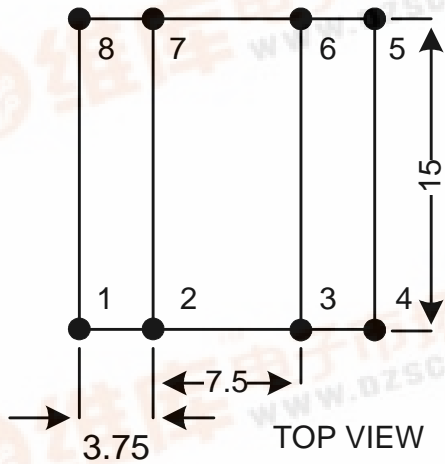
Rapid Transformer Sample Service

EE16(H), 8 pin Bobbin

Mechanical Drawing



PCB Layout



UNIT:mm