



Photomicrosensor


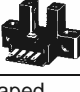

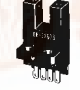

EE-SX67/47

Photomicrosensor with 50- to 100-mA Switching Capacity that can be Built into Equipment

- PNP output models newly added.
- Standard, L-shaped, T-shaped, and Close-mounting: Five series of models available.
- Select from thirty output variations, including Light-ON or Dark-ON/Light-ON (selectable) models.
- Response frequency as high as 1 kHz.
- Easy operation monitoring with bright light indicator.
- Wide operating voltage range from 5 to 24 VDC.
- Models (EE-SX□□□A and EE-SX□□□R) with operation indicators that are lit when sensing objects are detected (when light is interrupted) are available.



Ordering Information

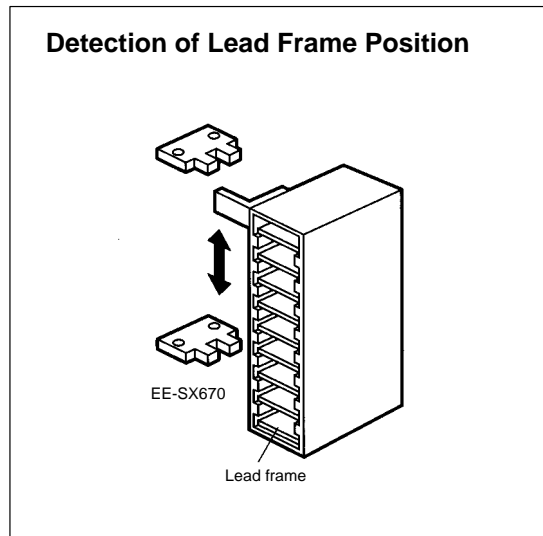
| Appearance | Sensing method | Sensing distance | Output configuration | Model | | Weight |
|---|-------------------------------|-------------------|---|-------------------------------------|--------------------------------------|---------------|
| | | | | NPN | PNP | |
|  Standard | Through-beam type (slot type) | 5 mm (slot width) | Dark-ON/Light-ON (selectable) ^{*1} | EE-SX670 EE-SX670A ^{*2} | EE-SX670P EE-SX670R ^{*3} | Approx. 3.1 g |
| | | | Light-ON | EE-SX470 | EE-SX470P | |
|  L-shaped | | | Dark-ON/Light-ON (selectable) ^{*1} | EE-SX671 EE-SX671A ^{*2} | EE-SX671P EE-SX671R ^{*3} | Approx. 3.0 g |
| | | | Light-ON | EE-SX471 | EE-SX471P | |
|  T-shaped | | | Dark-ON/Light-ON (selectable) ^{*1} | EE-SX672 EE-SX672A ^{*2} | EE-SX672P EE-SX672R ^{*3} | Approx. 2.4 g |
| | | | Light-ON | EE-SX472 | EE-SX472P | |
|  Close-mounting | | | Dark-ON/Light-ON (selectable) ^{*1} | EE-SX673 EE-SX673A ^{*2} | EE-SX673P EE-SX673R ^{*3} | Approx. 2.3 g |
| | | | Light-ON | EE-SX473 | EE-SX473P | |
|  Close-mounting | | | Dark-ON/Light-ON (selectable) ^{*1} | EE-SX674 EE-SX674A ^{*2} | EE-SX674P EE-SX674R ^{*3} | Approx. 3.0 g |
| | | | Light-ON | EE-SX474 | EE-SX474P | |

Note: *1. The Dark-ON/Light-ON (selectable) models can be used as Light-ON models when the L terminal and positive (+) terminal are short-circuited. An L terminal and positive (+) terminal short-circuit connector (EE-1001-1) is available.

*2. Models with a suffix "A," such as EE-SX670A, have a Dark-ON indicator that is lit when light is interrupted.

*3. Models with a suffix "R," such as EE-SX670R, have a Dark-ON indicator that is lit when light is interrupted.

Application Example

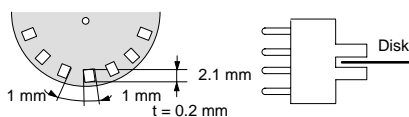


Specifications

■ Ratings

| Item | Output | Standard | L-shaped | T-shaped | Close-mounting | |
|------------------------------------|---|-------------------------------------|-------------------------------------|-------------------------------------|-------------------------------------|-------------------------------------|
| | NPN | EE-SX670 EE-SX670A EE-SX470 | EE-SX671 EE-SX671A EE-SX471 | EE-SX672 EE-SX672A EE-SX472 | EE-SX673 EE-SX673A EE-SX473 | EE-SX674 EE-SX674A EE-SX474 |
| | PNP | EE-SX670P EE-SX670R EE-SX470P | EE-SX671P EE-SX671R EE-SX471P | EE-SX672P EE-SX672R EE-SX472P | EE-SX673P EE-SX673R EE-SX473P | EE-SX674P EE-SX674R EE-SX474P |
| Sensing distance | 5 mm (slot width) | | | | | |
| Standard sensing object | Opaque: 2 × 0.8 mm min. | | | | | |
| Differential travel | 0.025 mm | | | | | |
| Light source (peak wave length) | GaAs infrared LED (940 nm) | | | | | |
| Receiver | Si phototransistor with a sensing wavelength of 850 nm max. | | | | | |
| Operation indicator (see note 1) | Operation indicator (red) lit with incident (Models with a suffix of "A" or "R" have Dark-ON indicators.) | | | | | |
| Power supply voltage | 5 to 24 VDC ±10%, ripple (p-p): 10% max. | | | | | |
| Current consumption | 35 mA max. (NPN), 30 mA max. (PNP) | | | | | |
| Control output | NPN open collector output models: At 5 to 24 VDC: 100-mA load current (I_C) with a residual voltage of 0.8 V max. 40-mA load current (I_C) with a residual voltage of 0.4 V max. PNP open collector output models: At 5 to 24 VDC: 50-mA load current (I_C) with a residual voltage of 1.3 V max. | | | | | |
| Response frequency (see note 2) | 1 kHz max. (3 kHz average) | | | | | |

- Note:**
- The indicator is GaP red LED (peak emission wavelength: 690 nm).
 - The response frequency was measured by detecting the following rotating disks.

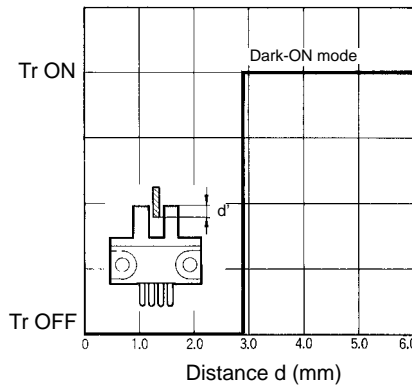
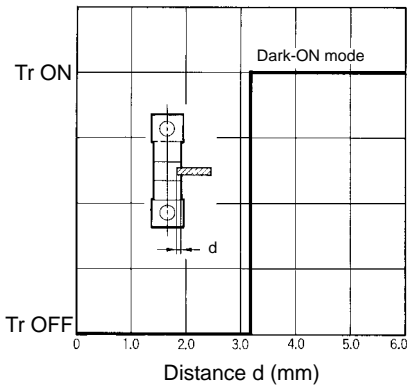


■ Characteristics

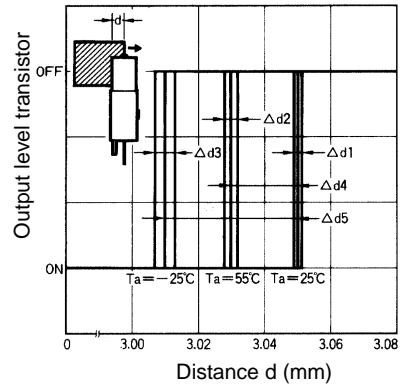
| Item | Output | Standard | L-shaped | T-shaped | Close-mounting | |
|--|---|-------------------------------------|-------------------------------------|-------------------------------------|-------------------------------------|-------------------------------------|
| | NPN | EE-SX670 EE-SX670A EE-SX470 | EE-SX671 EE-SX671A EE-SX471 | EE-SX672 EE-SX672A EE-SX472 | EE-SX673 EE-SX673A EE-SX473 | EE-SX674 EE-SX674A EE-SX474 |
| | PNP | EE-SX670P EE-SX670R EE-SX470P | EE-SX671P EE-SX671R EE-SX471P | EE-SX672P EE-SX672R EE-SX472P | EE-SX673P EE-SX673R EE-SX473P | EE-SX674P EE-SX674R EE-SX474P |
| Ambient illumination (on Receiver lens) | Fluorescent light: 1,000 lx max. | | | | | |
| Ambient temperature | Operating: -25° to 55°C Storage: -30° to 80°C | | | | | |
| Ambient humidity | Operating: 5% to 85% Storage: 5% to 95% | | | | | |
| Vibration resistance | Destruction: 20 to 2,000 Hz, (with a peak acceleration of 10G), 1.5-mm double amplitude for 2 hrs (with 4-minute cycles) each in X, Y, and Z directions | | | | | |
| Shock resistance | Destruction: 500 m/s ² (approx. 50G) for 3 times each in X, Y, and Z directions | | | | | |
| Degree of protection | IEC60529 IP50 | | | | | |
| Connection method | Connector type (direct soldering possible) | | | | | |
| Weight | Approx. 3.1 g | Approx. 3.0 g | Approx. 2.4 g | Approx. 2.3 g | Approx. 3.0 g | |
| Material | Case: Polybutylene phthalate (PBT), Cover: Polycarbonate (PC), Emitter/receiver: Polycarbonate (PC) | | | | | |

Engineering Data

Sensing Position Characteristics (Typical)



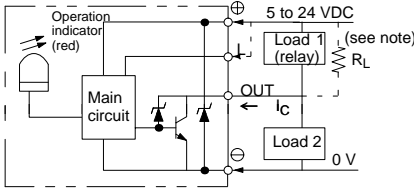
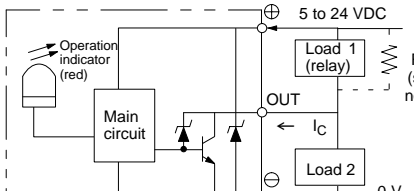
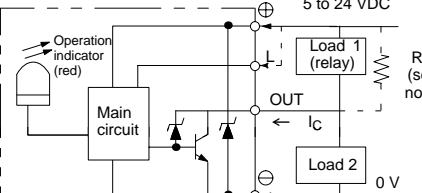
Repeated Sensing Position Characteristics (Typical)

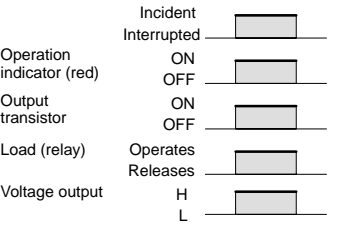
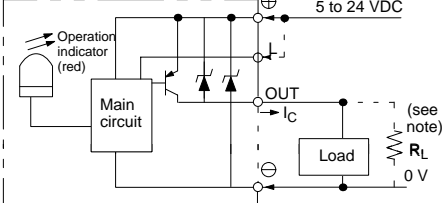
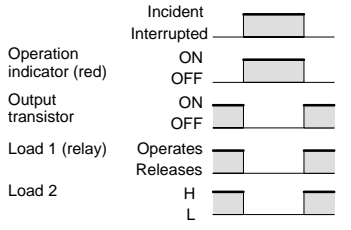
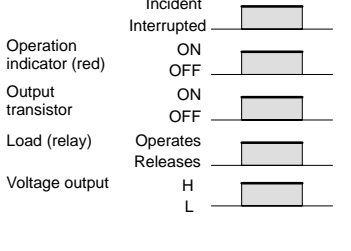
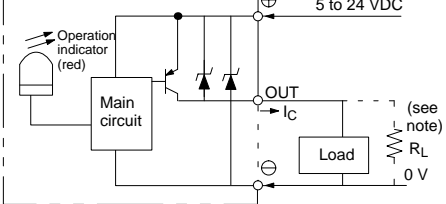
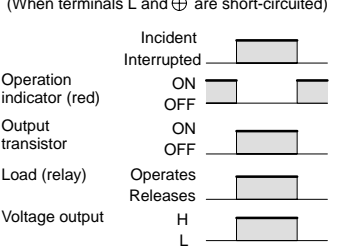
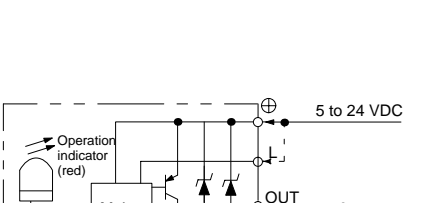
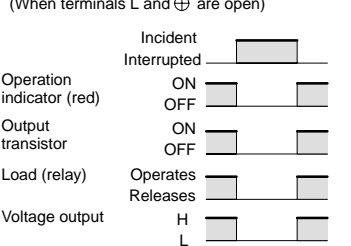
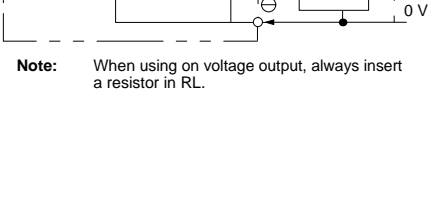



V_{cc} = 12 V
 No. of repetitions: 20
 Δd1 = 0.002 mm
 Δd2 = 0.004 mm
 Δd3 = 0.005 mm
 Δd4 = 0.02 mm
 Δd5 = 0.04 mm

Operation

■ Output Circuit Diagrams

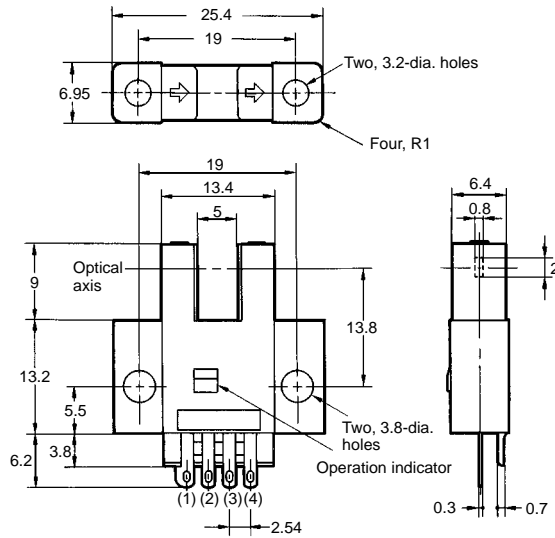
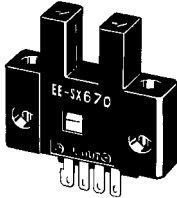
| Output configuration | Model | Output transistor operation | Timing Charts | Output Circuit |
|---|--|-----------------------------|--|--|
| NPN Output | EE-SX670 EE-SX671 EE-SX672 EE-SX673 EE-SX674 | Light-ON | (When terminals L and ⊕ are short-circuited) Incident Interrupted Operation indicator (red) ON OFF Output transistor ON OFF Load 1 (relay) Operates Releases Load 2 H L |  <p>Note: When using on voltage output, always insert a resistor in RL.</p> |
| | | Dark-ON | (When terminals L and ⊕ are open) Incident Interrupted Operation indicator (red) ON OFF Output transistor ON OFF Load 1 (relay) Operates Releases Load 2 H L | |
| | EE-SX470 EE-SX471 EE-SX472 EE-SX473 EE-SX474 | Light-ON | (When terminals L and ⊕ are short-circuited) Incident Interrupted Operation indicator (red) ON OFF Output transistor ON OFF Load 1 (relay) Operates Releases Load 2 H L |  <p>Note: When using on voltage output, always insert a resistor in RL.</p> |
| | | Dark-ON | (When terminals L and ⊕ are open) Incident Interrupted Operation indicator (red) ON OFF Output transistor ON OFF Load 1 (relay) Operates Releases Load 2 H L | |
| EE-SX670A EE-SX671A EE-SX672A EE-SX673A EE-SX674A | | Light-ON | (When terminals L and ⊕ are short-circuited) Incident Interrupted Operation indicator (red) ON OFF Output transistor ON OFF Load 1 (relay) Operates Releases Load 2 H L |  <p>Note: When using on voltage output, always insert a resistor in RL.</p> |
| | | Dark-ON | (When terminals L and ⊕ are open) Incident Interrupted Operation indicator (red) ON OFF Output transistor ON OFF Load 1 (relay) Operates Releases Load 2 H L | |

| Output configuration | Model | Output transistor operation | Timing Charts | Output Circuit |
|----------------------|---|-----------------------------|---|--|
| PNP Output | EE-SX670P EE-SX671P EE-SX672P EE-SX673P EE-SX674P | Light-ON | <p>(When terminals L and ⊕ are short-circuited)</p>  |  <p>Note: When using on voltage output, always insert a resistor in RL.</p> |
| | | Dark-ON | <p>(When terminals L and ⊕ are open)</p>  | |
| PNP Output | EE-SX470P EE-SX471P EE-SX472P EE-SX473P EE-SX474P | Light-ON |  |  <p>Note: When using on voltage output, always insert a resistor in RL.</p> |
| | | Dark-ON | <p>(When terminals L and ⊕ are open)</p>  |  <p>Note: When using on voltage output, always insert a resistor in RL.</p> |
| PNP Output | EE-SX670R EE-SX671R EE-SX672R EE-SX673R EE-SX674R | Light-ON | <p>(When terminals L and ⊕ are short-circuited)</p>  |  <p>Note: When using on voltage output, always insert a resistor in RL.</p> |
| | | Dark-ON | <p>(When terminals L and ⊕ are open)</p>  | |

Dimensions

Note: All units are in millimeters unless otherwise indicated.

EE-SX670/670P
 EE-SX670A/670R
 EE-SX470/470P

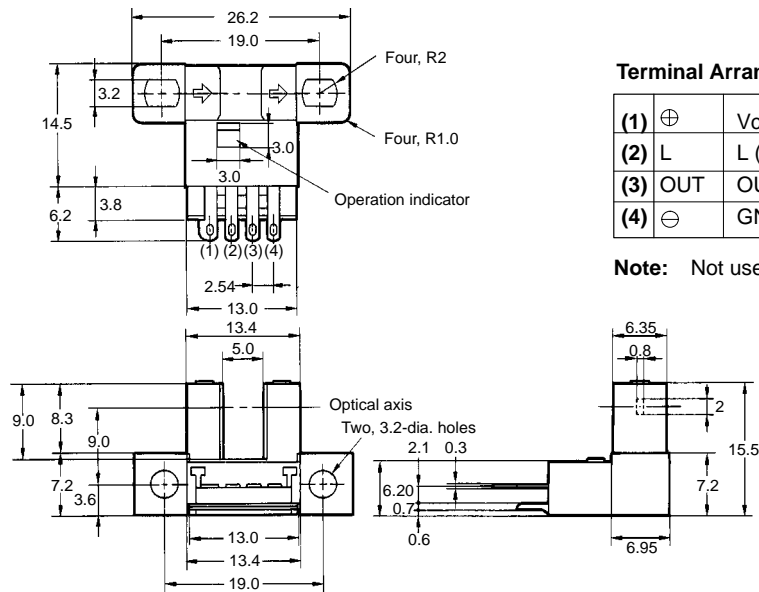
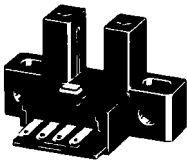


Terminal Arrangement

| | | |
|-----|-----|--------------|
| (1) | ⊕ | Vcc |
| (2) | L | L (see note) |
| (3) | OUT | OUT PUT |
| (4) | ⊖ | GND (0 V) |

Note: Not used in EE-SX470

EE-SX671/671P
 EE-SX671A/671R
 EE-SX471/471P

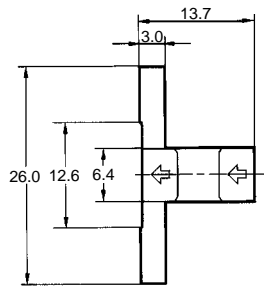
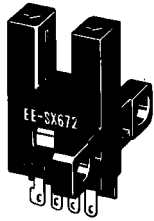


Terminal Arrangement

| | | |
|-----|-----|--------------|
| (1) | ⊕ | Vcc |
| (2) | L | L (see note) |
| (3) | OUT | OUT PUT |
| (4) | ⊖ | GND (0 V) |

Note: Not used in EE-SX471

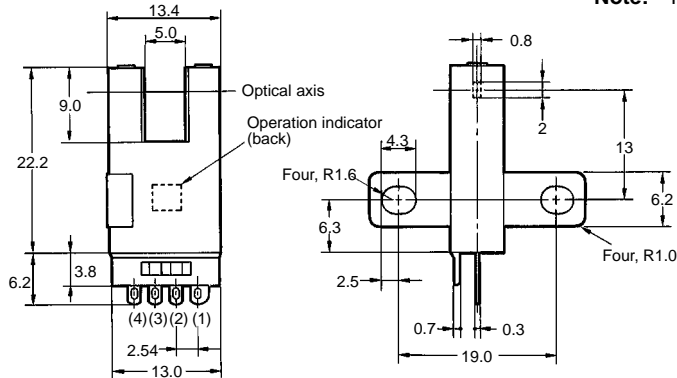
EE-SX672/672P
 EE-SX672A/672R
 EE-SX472/472P



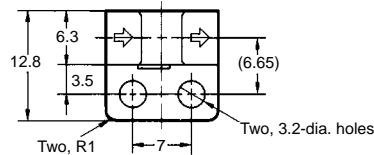
Terminal Arrangement

| | | |
|-----|-----|--------------|
| (1) | ⊕ | Vcc |
| (2) | L | L (see note) |
| (3) | OUT | OUT PUT |
| (4) | ⊖ | GND (0 V) |

Note: Not used in EE-SX472



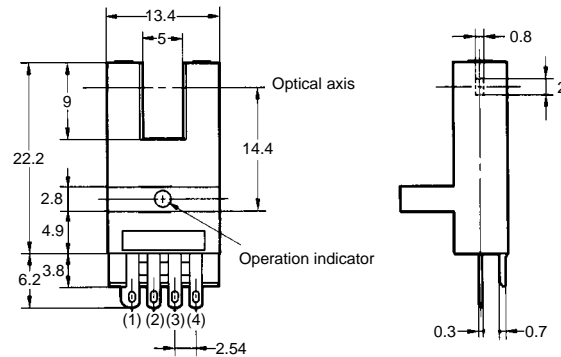
EE-SX673/673P
 EE-SX673A/673R
 EE-SX473/473P



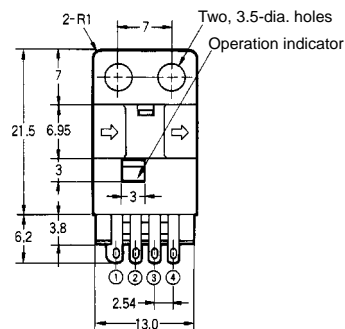
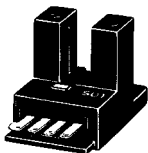
Terminal Arrangement

| | | |
|-----|-----|--------------|
| (1) | ⊕ | Vcc |
| (2) | L | L (see note) |
| (3) | OUT | OUT PUT |
| (4) | ⊖ | GND (0 V) |

Note: Not used in EE-SX473



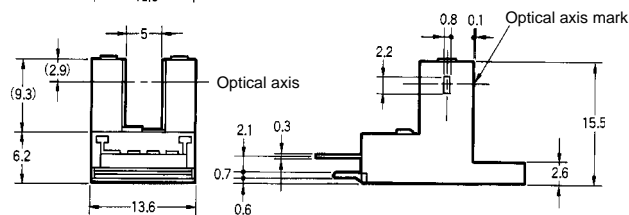
EE-SX674/674P
 EE-SX674A/674R
 EE-SX474/474P



Terminal Arrangement

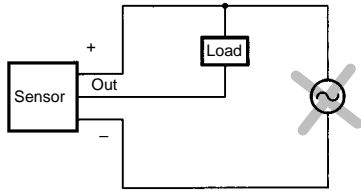
| | | |
|-----|-----|--------------|
| (1) | ⊕ | Vcc |
| (2) | L | L (see note) |
| (3) | OUT | OUT PUT |
| (4) | ⊖ | GND (0 V) |

Note: Not used in EE-SX474

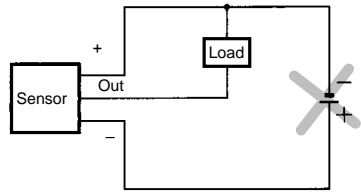


Precautions

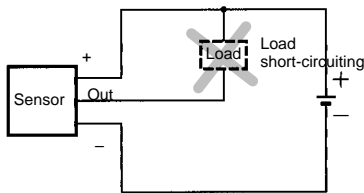
Do not use the EE-SX at voltage exceeding the rated voltage range, otherwise the EE-SX may be damaged.



Do not make mistakes in wiring, such as mistakes in polarity, otherwise the EE-SX may be damaged.



Do not short-circuit the load (i.e., do not connect a power supply directly to the Sensor) as shown below, otherwise the EE-SX may be damaged.



Caution

Mounting

The EE-SX is a Sensor to be built into equipment. Therefore, no special protective measures have been taken to protect the EE-SX from external light disturbance. Make sure that the EE-SX is not affected by incandescent lamps or other light sources that may cause external light disturbance, otherwise the EE-SX may malfunction.

Be sure to mount the Sensor securely to flat plates. The characteristics of the Through-beam Sensor change if the slot is deformed.

Use M3.0 screws when mounting the EE-SX. Be sure to use spring washers with the screws so that the screws will not loosen. The tightening torque applied to each screw must be no more than 0.59 N • m (6 kgf • cm).

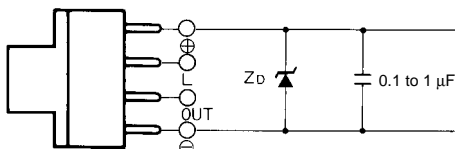
Make sure that nothing will come into contact with the sensing element of the Sensor. If the sensing element has scratch damage, the characteristics of the Sensor will decrease.

Make sure that the EE-SX is securely mounted and not loosened by vibration or shock.

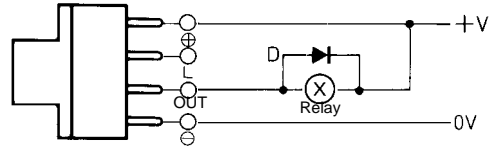
Wiring

Countermeasures Against Surge

If the power supply has surge voltage, connect a Zener diode with standing 30 to 35 V or 0.1 to 1-μF capacitor in parallel to the power supply to absorb the surge voltage.



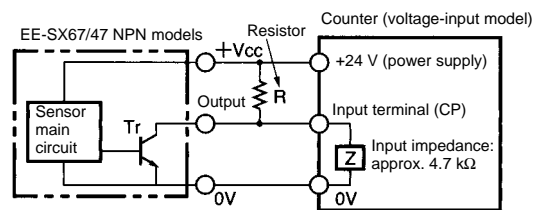
If the load is a relay or other small inductive load, connect the load to the EE-SX as shown below. Be sure to connect a diode for counter-voltage absorption.



Do not wire power lines or high-tension lines alongside the lines of the EE-SX in the same conduit, otherwise the EE-SX may be damaged or malfunction due to induction. Be sure to wire the lines of the EE-SX separately from power lines or high-tension lines or lay them in an exclusive, shielded conduit.

Voltage Output

A Sensor with open collector output can be connected to a device with voltage-input specifications by connecting a resistor between the power supply and output terminals as shown in the following circuit diagram. The resistance of the resistor is normally 4.7 kΩ and must withstand a power of 0.5 W at 24 V and 0.25 W at 12 V.



EE-SX47/67 NPN Models with a 4.7-kΩ Resistor

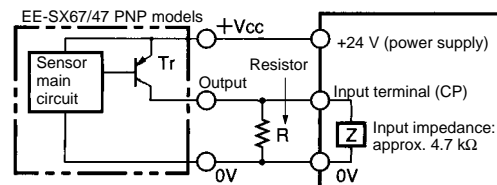
High level:

$$\text{Input voltage (V}_H\text{)} = \frac{Z}{R+Z} V_{CC} = \frac{4.7 \text{ k}}{4.7 \text{ k} + 4.7 \text{ k}} \times 24 \text{ V} = 12 \text{ V}$$

Low level:

$$\text{Input voltage (V}_L\text{)} \leq 0.4 \text{ V}$$

$$\text{Load current (I}_C\text{)} = \frac{V_{CC}}{R} = \frac{24 \text{ V}}{R} = 5.1 \text{ mA} \leq 50 \text{ to } 100 \text{ mA}$$



EE-SX47/67 PNP Models with a 4.7-kΩ Resistor

High level:

$$\text{Input voltage (V}_H\text{)} = V_{CC} - \text{residual voltage} \approx 24 \text{ V} - 1.3 \text{ V} = 22.7 \text{ V}$$

Low level:

$$\text{Input voltage (V}_L\text{)} \approx 0 \text{ V}$$

Note: Refer to the ratings of the Sensor for the relationship between the residual voltage and load current.

Others

Do not wire the EE-SX while power is applied, otherwise the EE-SX may be damaged.

Do not install the EE-SX in the following locations, otherwise the EE-SX may be damaged or malfunction.

Locations with excessive dust

Locations with corrosive gas

Locations where water, oil, or chemical is directly sprayed


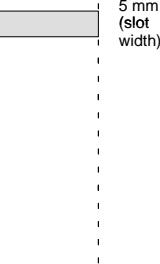


Outdoors or locations exposed to direct sunlight

Make sure that the operating ambient temperature is within the rated range.

The Sensor may be soluble in organic solvent, acid, and alkaline, aromatic hydrocarbon, and chlorinated aliphatic hydrocarbon solvents. The characteristics of the Sensor may decrease as a result. Therefore, make sure that the Sensor is free from these solutions.

■ Additional Models (EE-SX77/87)

Ordering Information

| Appearance | Sensing method | Sensing distance | Output configuration | Model | |
|---|---------------------|---|----------------------|-----------|-----------|
| | | | | NPN | PNP |
| Standard  | Through-beam (slot) |  | Dark ON | EE-SX770 | EE-SX770P |
| | | | | EE-SX770A | EE-SX770R |
| | | | Light ON | EE-SX870 | EE-SX870P |
| | | | | EE-SX870A | EE-SX870R |
| L-shaped  | | | Dark ON | EE-SX771 | EE-SX771P |
| | | | | EE-SX771A | EE-SX771R |
| | | | Light ON | EE-SX871 | EE-SX871P |
| | | | | EE-SX871A | EE-SX871R |
| T-shaped  | | | Dark ON | EE-SX772 | EE-SX772P |
| | | | | EE-SX772A | EE-SX772R |
| | | | Light ON | EE-SX872 | EE-SX872P |
| | | | | EE-SX872A | EE-SX872R |

Specifications

■ Ratings/Characteristics

| Item | Through-beam models(slot) | | | | | | | |
|-------------------------------------|---|-----------|-----------|-----------|----------|-----------|-----------|-----------|
| | Dark ON | | | | Light ON | | | |
| Output configuration | NPN | | PNP | | NPN | | PNP | |
| Output | NPN | | PNP | | NPN | | PNP | |
| Model | EE-SX770 | EE-SX770A | EE-SX770P | EE-SX770R | EE-SX870 | EE-SX870A | EE-SX870P | EE-SX870R |
| | EE-SX771 | EE-SX771A | EE-SX771P | EE-SX771R | EE-SX871 | EE-SX871A | EE-SX871P | EE-SX871R |
| | EE-SX772 | EE-SX772A | EE-SX772P | EE-SX772R | EE-SX872 | EE-SX872A | EE-SX872P | EE-SX872R |
| Sensing distance | 5 mm (slot width) | | | | | | | |
| Standard sensing object | Opaque: 2 x 0.8 mm min | | | | | | | |
| Operation indicator (see note) | Operation indicator (red) lit with incident (Models with a suffix of "A" or "R" have Dark-ON indicators.) | | | | | | | |
| Power supply voltage | 5 to 24 VDC ± 10%, ripple (p-p): 10% max. | | | | | | | |
| Current consumption | 35 mA max. (NPN), 30 mA max. (PNP) | | | | | | | |
| Control output | NPN open collector output models: At 5 to 24 VDC: 100-mA load current (I _C) with a residual voltage of 0.8 V max. 40-mA load current (I _C) with a residual voltage of 0.4 V max. PNP open collector output models: At 5 to 24 VDC: 50-mA load current (I _C) with a residual voltage of 1.3 V max. | | | | | | | |
| Ambient illuminance | Sensing surface: 1,000 ℓx max. with fluorescent light | | | | | | | |
| Ambient temperature | Operating: -25°C to 55°C Storage: -30°C to 80°C | | | | | | | |
| Ambient humidity | Operating: 5% to 85% Storage: 5% to 95% | | | | | | | |
| Degree of protection | IEC60529 IP60 | | | | | | | |
| Connection method (standard length) | Pre-wired: 2 m | | | | | | | |
| Weight | Approx. 20 g | | | | | | | |

Note: The indicator is GaP red LED (peak emission wavelength: 690 nm).

Operation

■ Output Circuits

| Output configuration | Model | Output transistor operation | Timing Charts | Output Circuit |
|----------------------|--|-----------------------------|--|----------------|
| NPN Output | EE-SX770 EE-SX771 EE-SX772 EE-SX770A EE-SX771A EE-SX772A | Dark-ON | Incident Interrupted Operation indicator (red) ON OFF Output transistor ON OFF Load (e.g., relay) Operate Reset | |
| | EE-SX870 EE-SX871 EE-SX872 EE-SX870A EE-SX871A EE-SX872A | Light-ON | Incident Interrupted Operation indicator (red) ON OFF Output transistor ON OFF Load (e.g., relay) Operate Reset | |
| PNP Output | EE-SX770P EE-SX771P EE-SX772P EE-SX770R EE-SX771R EE-SX772R | Dark-ON | Incident Interrupted Operation indicator (red) ON OFF Output transistor ON OFF Load (e.g., relay) Operate Reset | |
| | EE-SX870P EE-SX871P EE-SX872P EE-SX870R EE-SX871R EE-SX872R | Light-ON | Incident Interrupted Operation indicator (red) ON OFF Output transistor ON OFF Load (e.g., relay) Operate Reset | |

■ Notice

Photomicrosensors (EE-SX67/47, 77/87 models) and Connectors (EE-1001/1001-1/1006/1009/1010/1010-R) have been certified as products that conform to the following UL Standard.

Certified Date: February 9, 1998
Certified Models: All OMRON EE-SX67/47-series Photomicrosensors and the Photomicrosensor Connectors (EE-1001/1001-1/1006/1009/1010/1010-R)
File No.: E41515
Standard Name: UL508: industrial control devices
Certification Method: UL Recognition (recognition certification for products used in the U.S.A.) and Canadian UL Recognition (recognition certification for products used in Canada)
Applicable Lot No.: 928 and after (products manufactured on and after February 9, 1998)

The following Photomicrosensors have been certified as products conforming to the EMC Directives (CE marking).

CE Marking Date: April 1, 1998
Applicable Models: All EE-SX67/47 (A) models, EE-SX67/47 P, R models
All EE-SX77/87 (A) models, EE-SX77/87 P, R models
EE-SY671/672
EE-SPW311/411
EE-SPY311/312
EE-SPY301/302
EE-SPY401/402
EE-SPY411/412
EE-SPX302/304/306-W2A
EE-SPX402/404/406-W2A
EE-SPX303/403
EE-SPX301/401

ALL DIMENSIONS SHOWN ARE IN MILLIMETERS.

To convert millimeters into inches, multiply by 0.03937. To convert grams into ounces, multiply by 0.03527.

Cat. No. E303-E1-1 **In the interest of product improvement, specifications are subject to change without notice.**

OMRON Corporation

Industrial Sensors Division
Sensing Devices and Components Division H.Q.
28th Fl., Crystal Tower Bldg.,
1-2-27, Shiromi, Chuo-ku,
Osaka 540-6028 Japan
Phone: (81)6-949-6012 Fax: (81)6-949-6021

Printed in Japan
0898-4M (0898) Ⓐ