



# Common Mode Choke

## EPA3685-X

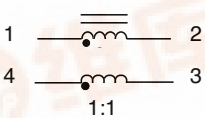


- Used in AC Power Line Filtering
- UL 94V-0 Recognized Components
- UL 1446 Class B Insulation System
- Rated Voltage 250 Vac
- Self-Lead SMT

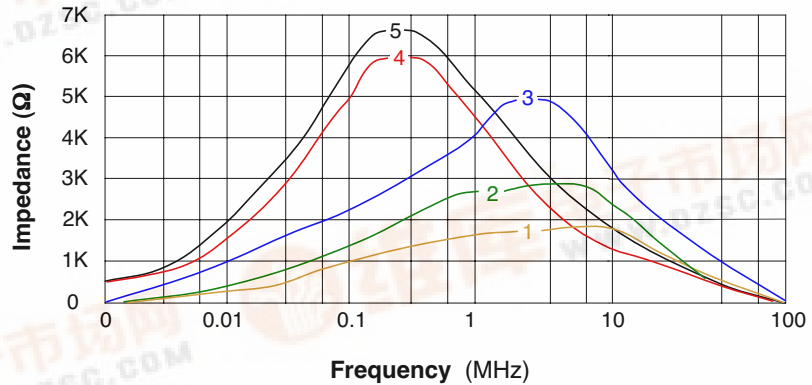
Electrical Parameters @ 25° C

Part Number	Inductance (mH ± 30%)	SRF (MHz Typ.)	Rated Current {RMS} (Amp)	Impedance Curve	DCR (Ω Max.)	Package
EPA3685-1	1.0	4.0	3.6	1	.05	A
EPA3685-2	1.0	2.0	1.5	2	.06	B
EPA3685-3	3.0	2.2	2.5	3	.08	A
EPA3685-4	10.0	0.5	1.0	4	.45	B
EPA3685-5	22.0	0.3	0.5	5	.85	B

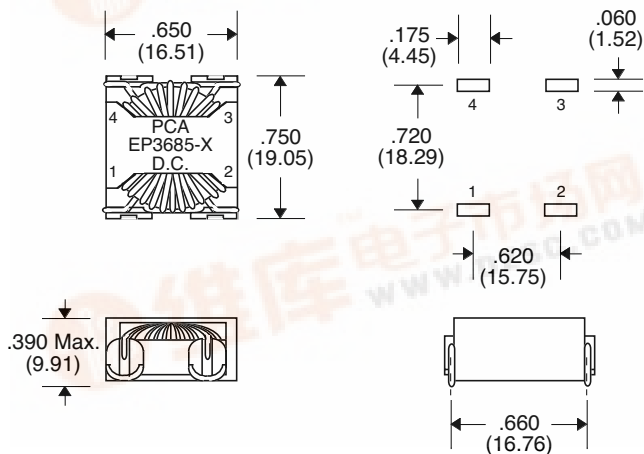
Schematic



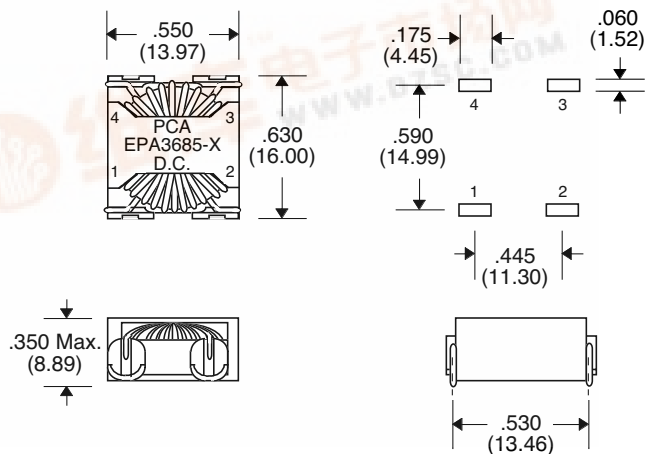
Impedance Characteristic



Package A



Package B



Unless Otherwise Specified Dimensions are in Inches /mm ± .010 / .25

