

1000Base-T Module



EPG4001S & EPG4001S-RC



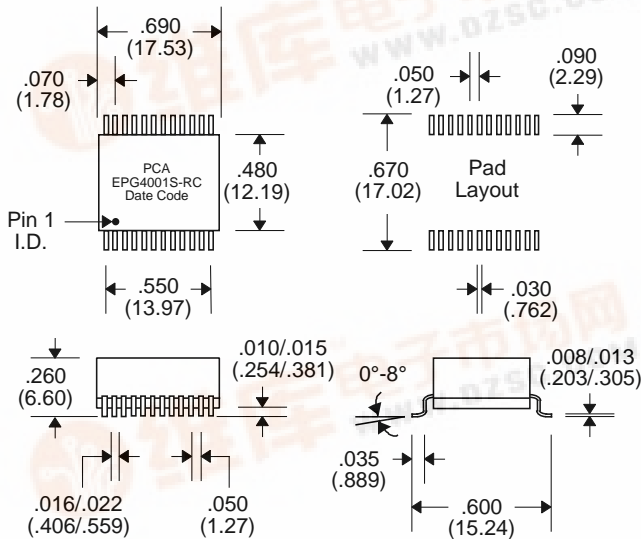
- Guaranteed to operate with 10/100Base-TX
- Complies with or exceeds IEEE 802.3ab 1000Base-T
- Add "-RC" after part number for RoHS Compliant
- 1500 Vrms Isolation

Electrical Parameters @ 25° C

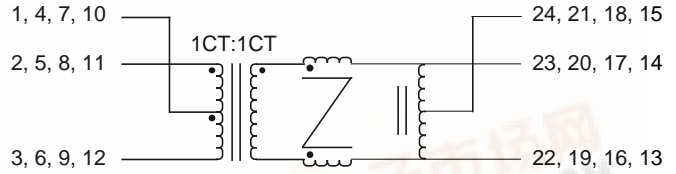
OCL (μ H Min.)	Insertion Loss (dB Max.)			Return Loss (dB Min.)			CMRR (dB Min.)	Common to Differential (dB Min.)				Crosstalk (dB Min.)			
	1-65 MHz	65-100 MHz	100-125 MHz	1-40 MHz	60 MHz	80 MHz		100 MHz	1 MHz	30 MHz	50 MHz	100 MHz	1-40 MHz	60 MHz	100 MHz
@ 100 KHz, 0.1 Vrms 8 mA DC bias															
350 (Media Side)	-1	-1.1	-1.5	-18	-15	-12	-10	-30	-60	-40	-35	-30	-40	-35	-30

• Rise Time : 1.75 nS Max. • Impedance : 100 •

Package



Schematic



Notes :	EPG4001S	EPG4001S-RC
1. Lead Finish	SnPb	Hot Tin Dip (Sn) †
2. Peak Temperature Rating	225°C	245°C
3. Moisture Sensitive Levels	MSL = 3 (168 Hours, 30°C/60%RH)	MSL = 4 (72 Hours, 30°C/60%RH)
4. Weight	3.2 grams	3.2 grams
5. Packaging Information (*Add "TR" to end of part number, but in front of "-RC" when placing order)	(Tube)	30 pieces/tube
	(Tape & Reel)	350 pieces/13" reel (*EPG4001STR)
		30 pieces/tube 350 pieces/13" reel (*EPG4001STR-RC)

† Lead Material : Matte Tin with Ni Barrier

Unless Otherwise Specified Dimensions are in Inches /mm ± .010 / .25

