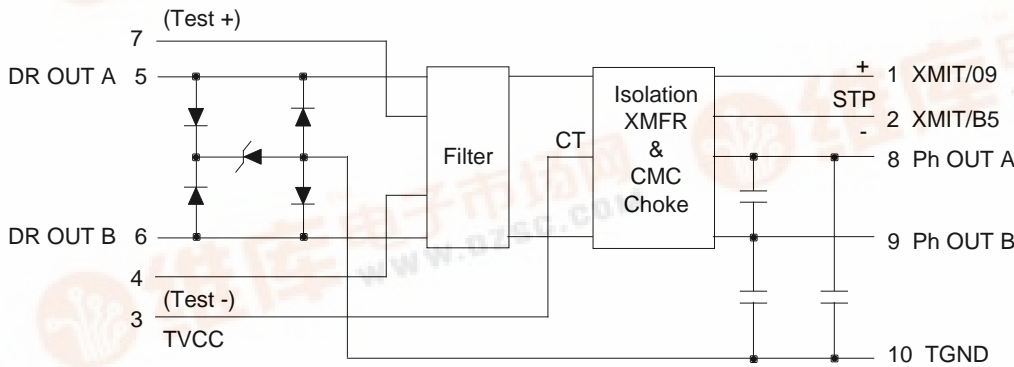
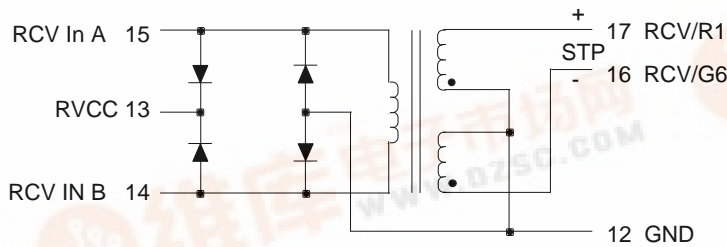


4/16 Mbps Token Ring Transmit and Receive Module

- Features
- Supports STP Transmission
 - Meets IEEE 802.5 Specifications
 - Overvoltage Protection Circuit

PCA Part Number(s)		EPT7040			
Electrical Specifications @ 25°C					
Parameter	Frequency	Specification	XMIT	RCV	Unit
Cut-off Frequency					MHz
Insertion Loss	1-16 MHz	-0.8			dB Max.
	32 MHz	-0.7			dB Min.
	44 MHz	-15.0			dB Min.
	48 MHz	-25.0			dB Min.
Return Loss	1-17 MHz	-14.0			dB Min.
	25 MHz	-8.0			dB Min.
Common-Common Rej.	1-64 MHz	30.0			dB Min.
Impedance Ratio	N/A	Input	600	150	
Isolation		500			Volts
Notes :					

Schematic



SIP Package

