



## EPZ3007G & EPZ3007G-LF

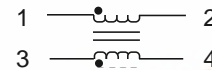
- Used in DC/DC Converter
- UL94V-0 Recognized Materials
- UL1446 Class B Insulating System
- Add "-LF" after part number for Lead Free
- Operating Temperature : -40°C to +85°C
- Noise suppression Choke
- 3.30 A Rated Current
- 500 Vrms Isolation

### Electrical Parameters @ 25° C

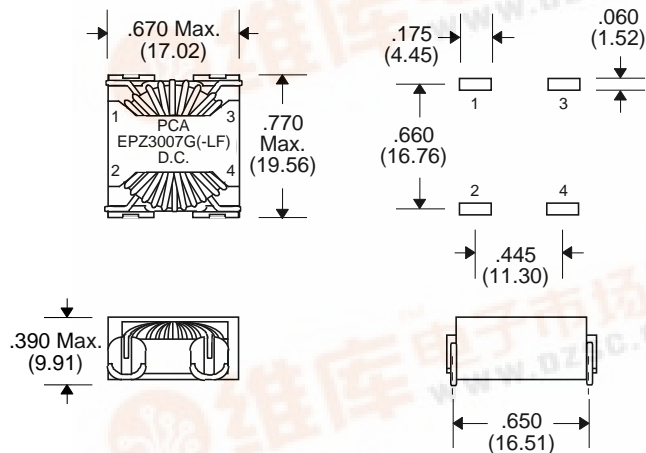
Inductance (mH ± 25%)	DCR (m Max.)	Turns Ratio	SRF (MHz Typ. )
@10 KHz, 0.1 Vrms	Matched with ± 5%		
Pins 1-2, 3-4	Pins 1-2, 3-4	Pins 1-2 : 3-4	
1.32	60	1 : 1	2.0

Notes :	EPZ3007G	EPZ3007G-LF
1. Lead Finish	SnPb	Hot Tin Dip (Sn)
2. Peak Solder Rating	225°C	260°C
3. Moisture Sensitive Levels (MSL)	1 (Unlimited, 30°C/60%RH)	1 (Unlimited, 30°C/60%RH)
4. Weight	4.6 grams	4.6 grams
5. Packaging Information (Tube)	TBD pcs / tube	TBD pcs / tube

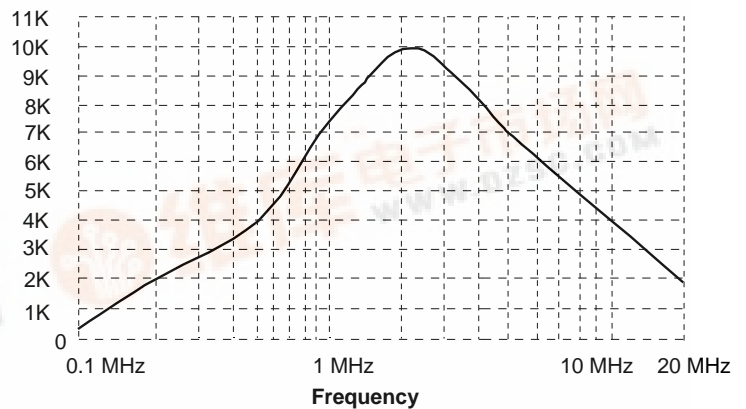
### Schematic



### Package



### Impedance Curve



Unless Otherwise Specified Dimensions are in Inches /mm ± .010 / .25

Product performance is limited to specified parameters. Data is subject to change without prior notice.  
CSZ3007G & -LF Rev. 5 7/10/06 FT

TEL: (818) 892-0761  
FAX: (818) 894-5791  
http://www.pca.com