

**AMP**

**M/A-COM**

**E-Series RF 1.5:1 Step-down Auto-Transformer  
5 - 1000 MHz**

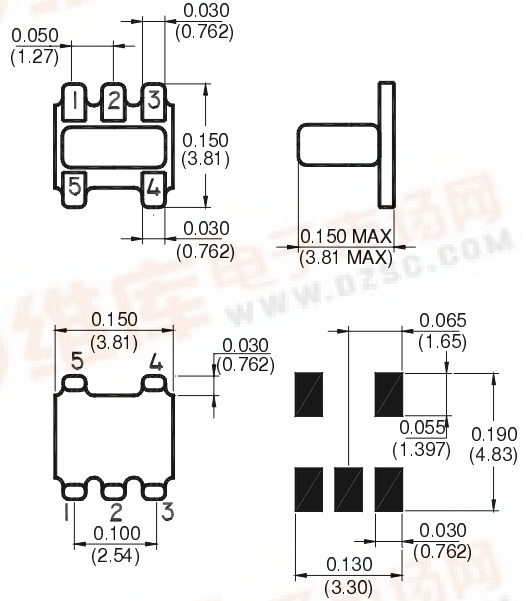


**Features**

- Surface Mount
- 1.5:1 Impedance Ratio
- Available on Tape & Reel



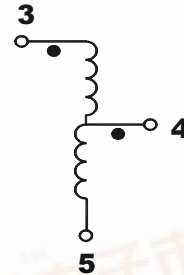
**SM-22 Package**



**Description**

M/A-COM's ETC1.5-4 is a 1.5:1 RF step-down auto-transformer in a low cost, surface mount package. Ideally suited for high volume applications.

**Schematic**



**Electrical Specifications @25°C**

Parameter	Units	Nominal	Typical	Minimum	Maximum
Frequency Range 5 - 1000	MHz	—	—	—	—
Insertion Loss 5 - 1000 MHz	dB	—	—	—	1.0

Please Note that the photograph above indicates package shape only, unit may be wired differently.



**Absolute Maximum Ratings**

Parameter	Absolute Maximum
RF Power	250 mW
DC Current	100 mA
Storage Temperature	-55°C to +100°C

**Functional Configuration**

Function	Pin No.
Primary Dot	3
Primary	5
Primary CT	—
Secondary Dot	4
Secondary	5
Secondary CT	—
Case Ground	—
Not Connected	1,2

**Typical Performance @ +25°C**

