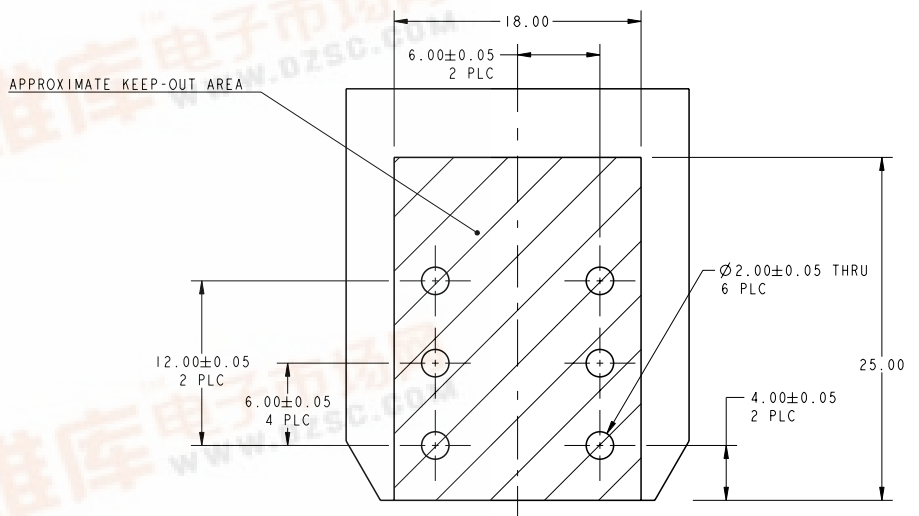
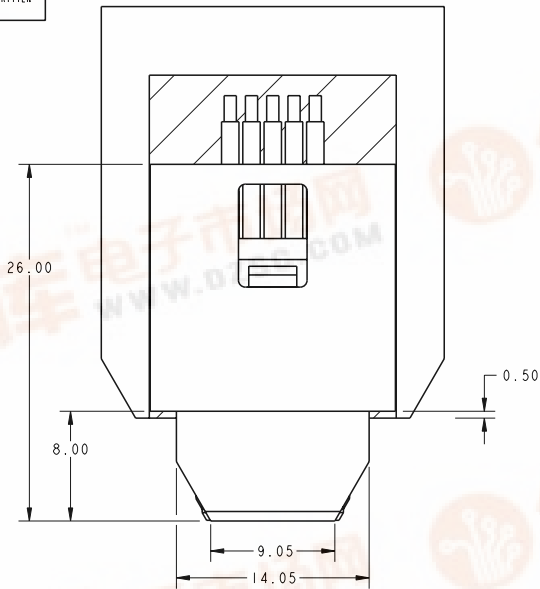


查询E2001-10008供应商

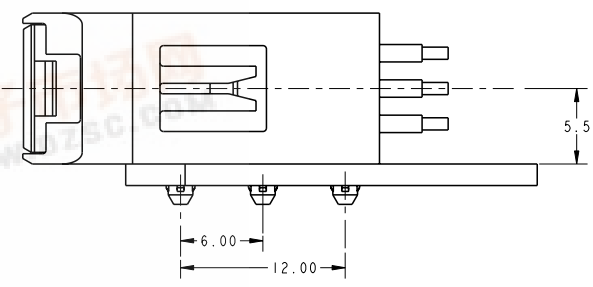
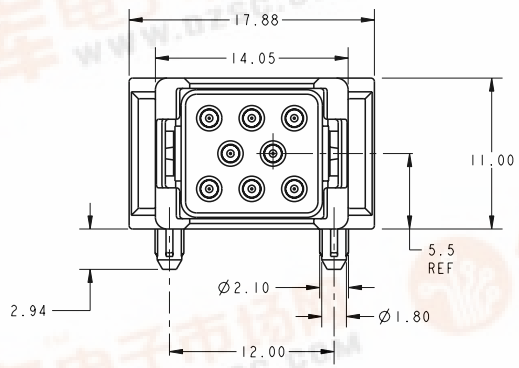
捷多邦, 专业PCB打样工厂, 24小时加急出货

THIS IS ISSUED IN STRICT CONFIDENCE ON CONDITION THAT IT IS NOT USED AS A BASIS FOR MANUFACTURE OR SALE, AND THAT IT IS NOT COPIED, REPRINTED OR DISCLOSED TO A THIRD PARTY EITHER WHOLLY OR IN PART WITHOUT THE PRIOR WRITTEN CONSENT OF ITT CANNON.

REVISIONS			
REV	DESCRIPTION	DATE	APPROVAL
4	PROPOSED	26 JUN01	SDG



RECOMMENDED PCB LAYOUT



CUSTOMER PRINT

1. MATERIAL: LCP OR SIMILAR, UL 94 V-0, BLACK.
2. ALL DIMENSIONS ARE SUBJECT TO CHANGE PENDING PROTOTYPE VERIFICATION.

UNLESS OTHERWISE SPECIFIED: -DIMENSIONS AND TOLERANCES AS PER ASME Y14.5M-1994 -DIMENSIONS ARE IN MILLIMETERS. -REMOVE ALL BURRS AND SHARP EDGES -DO NOT SCALE DRAWING.		TOL DECIMALS X ± .5 XX ± .13 .XXX ± .XXXX ±	TOL ANGLES X° ± 1° SURFACE ROUGHNESS 63 (1.6) ✓	CRITICAL DIMENSIONS SPC DIMENSIONS KEY CHARACTERISTIC
DRAWN S. GHERARDINI	DATE 26 JUN01	SURFACE AREA		
CHECKED ***	DATE ***	REF		
APPROVED ***	DATE ***	PART NO E2001-10008		
SCALE 4.000		DESCRIPTION ASSEMBLY, RIGHT ANGLE, 8 POSITION, PHD-TEMPUS		
ITT Industries ITT Cannon 666 E. DYER RD, SANTA ANA, CA 92705		CAGE CODE 71468		
3RD ANGLE PROJECTION	SIZE C	SHEET 1 / 1	REV 4	

