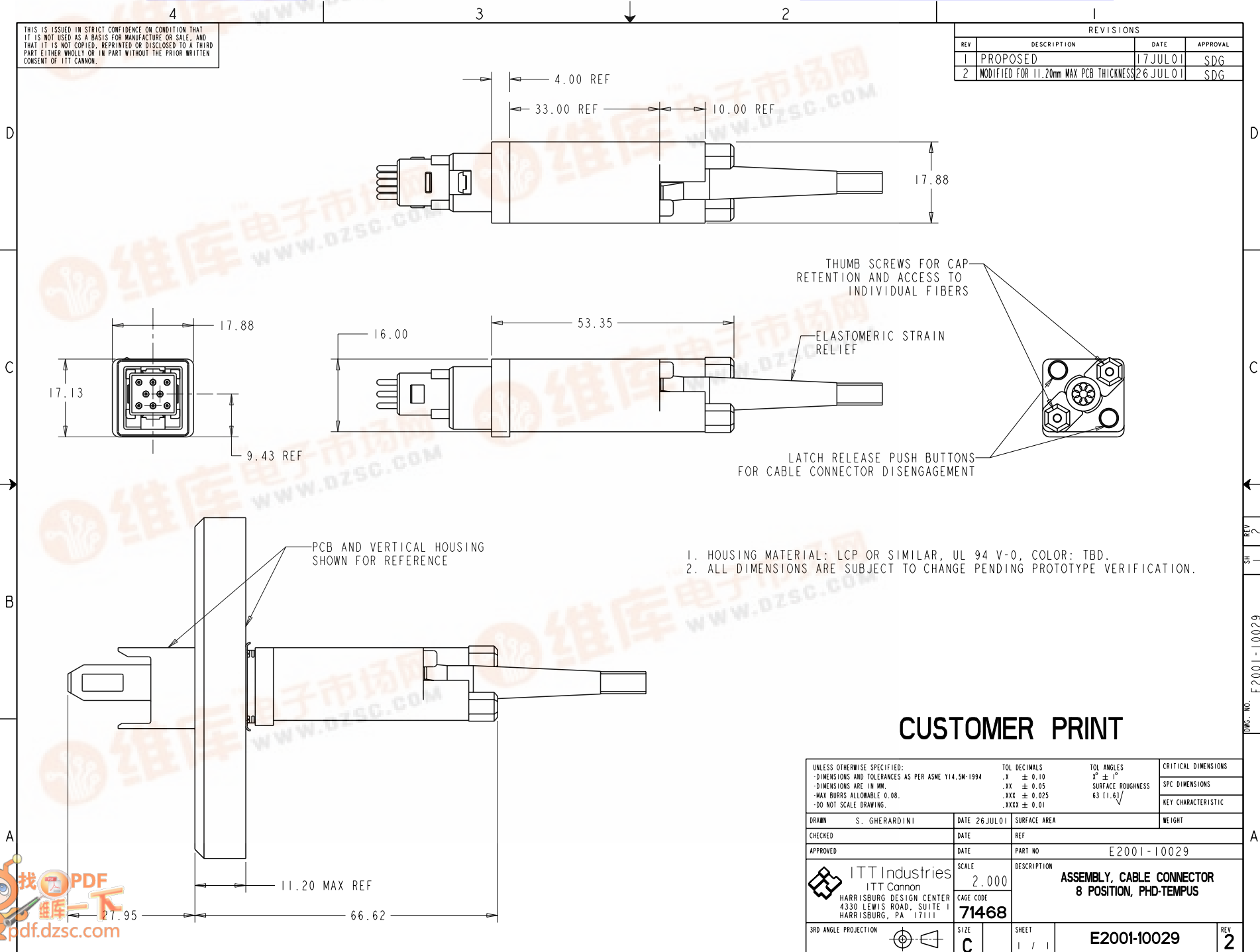


查询E2001-10029供应商

捷多邦, 专业PCB打样工厂, 24小时加急出货

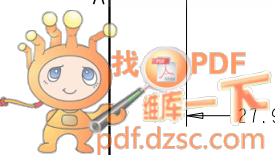
THIS IS ISSUED IN STRICT CONFIDENCE ON CONDITION THAT IT IS NOT USED AS A BASIS FOR MANUFACTURE OR SALE, AND THAT IT IS NOT COPIED, REPRINTED OR DISCLOSED TO A THIRD PARTY EITHER WHOLLY OR IN PART WITHOUT THE PRIOR WRITTEN CONSENT OF ITT CANNON.

REVISIONS			
REV	DESCRIPTION	DATE	APPROVAL
1	PROPOSED	17 JUL 01	SDG
2	MODIFIED FOR 11.20mm MAX PCB THICKNESS	26 JUL 01	SDG



CUSTOMER PRINT

UNLESS OTHERWISE SPECIFIED: -DIMENSIONS AND TOLERANCES AS PER ASME Y14.5M-1994 -DIMENSIONS ARE IN MM. -MAX BURRS ALLOWABLE 0.08. -DO NOT SCALE DRAWING.		TOL DECIMALS X ± 0.10 XX ± 0.05 .XXX ± 0.025 .XXXX ± 0.01	TOL ANGLES ° ± 1° SURFACE ROUGHNESS 63 (1.6)√	CRITICAL DIMENSIONS SPC DIMENSIONS KEY CHARACTERISTIC
DRAWN S. GHERARDINI	DATE 26 JUL 01	SURFACE AREA		
CHECKED	DATE	REF		
APPROVED	DATE	PART NO	E2001-10029	
ITT Industries ITT Cannon HARRISBURG DESIGN CENTER 4330 LEWIS ROAD, SUITE 1 HARRISBURG, PA 17111		SCALE 2.000	DESCRIPTION ASSEMBLY, CABLE CONNECTOR 8 POSITION, PHD-TEMPUS	
3RD ANGLE PROJECTION		CAGE CODE 71468	WEIGHT	
SIZE C	SHEET 1 / 1	E2001-10029		
			REV 2	



DWG. NO. E2001-10029