



March 2007

# FAN7711

## Ballast Control IC

### Features

- Floating Channel for Bootstrap Operation to +600V
- Low Start-up and Operating Current: 120µA, 3.2mA
- Under-Voltage Lockout with 1.8V of Hysteresis
- Adjustable Run Frequency and Preheat Time
- Internal Active ZVS Control
- Internal Protection Function (Latch Mode)
- Internal Clamping Zener Diode
- High Accuracy Oscillator
- Soft-Start Functionality

### Description

The FAN7711, developed using Fairchild's unique high-voltage process, is a ballast control integrated circuit (IC) for a fluorescent lamp. FAN7711 incorporates a preheating / ignition function, controlled by an user-selected external capacitor, to increase lamp life. The FAN7711 detects switch operation from after ignition mode through an internal active Zero-Voltage Switching (ZVS) control circuit. This control scheme enables the FAN7711 to detect an open-lamp condition, without the expense of external circuitry, and prevents stress on MOSFETs. The high-side driver built into the FAN7711 has a common-mode noise cancellation circuit that provides robust operation against high-dv/dt noise intrusion.

### Applications

- Electronic Ballast

8-SOP



8-DIP



### Ordering Information

Part Number	Package	Pb-Free	Operating Temperature Range	Packing Method
FAN7711N	8-DIP	Yes	-25°C ~ 125°C	Tube
FAN7711M	8-SOP			Tube
FAN7711MX				Tape & Reel



Typical Application Diagrams

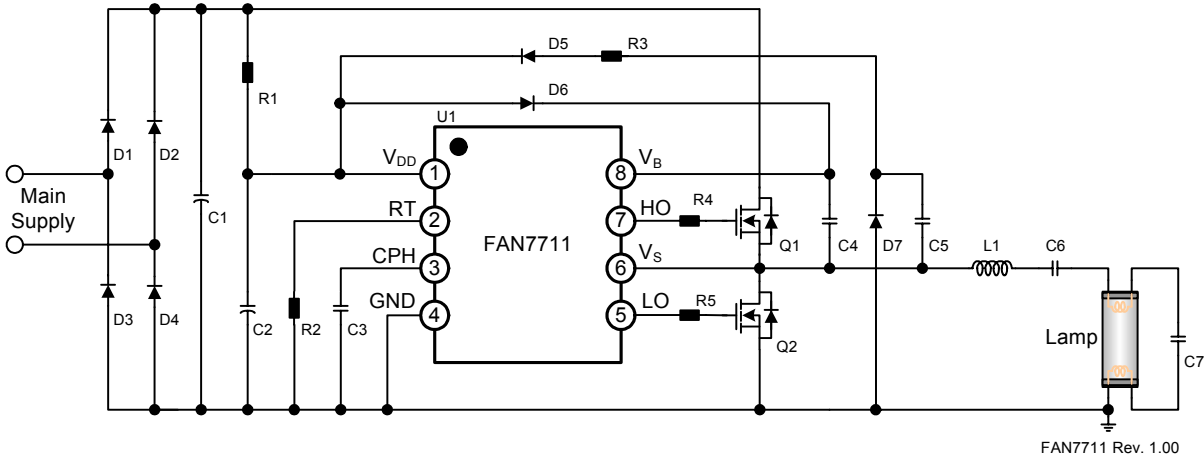


Figure 1. Typical Application Circuit for Compact Fluorescent Lamp

Internal Block Diagram

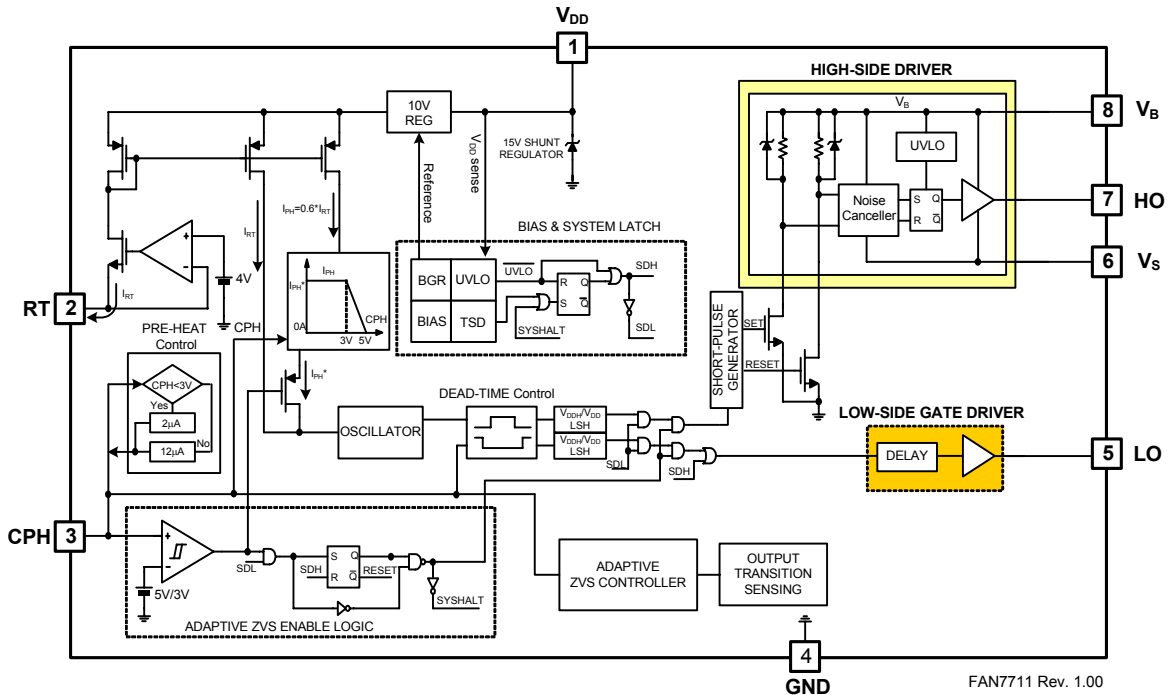


Figure 2. Functional Block Diagram

## Pin Configuration

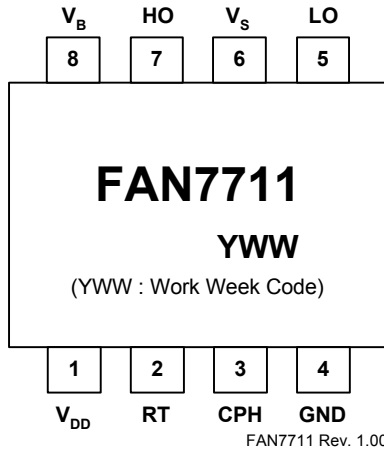


Figure 3. Pin Configuration (Top View)

## Pin Definitions

Pin #	Name	Description
1	V <sub>DD</sub>	Supply voltage
2	RT	Oscillator frequency set resistor
3	CPH	Preheating time set capacitor
4	GND	Ground
5	LO	Low-side output
6	V <sub>S</sub>	High-side floating supply return
7	HO	High-side output
8	V <sub>B</sub>	High-side floating supply

## Absolute Maximum Ratings

Stresses exceeding the absolute maximum ratings may damage the device. The device may not function or be operable above the recommended operating conditions and stressing the parts to these levels is not recommended. In addition, extended exposure to stresses above the recommended operating conditions may affect device reliability. The absolute maximum ratings are stress ratings only.  $T_A=25^{\circ}\text{C}$  unless otherwise specified.

Symbol	Parameter	Min.	Typ.	Max.	Unit
$V_B$	High-side floating supply	-0.3		625	V
$V_S$	High-side floating supply return	-0.3		600	V
$V_{IN}$	RT, CPH pins input voltage	-0.3		8	V
$I_{CL}$	Clamping current level			25	mA
$dV_S/dt$	Allowable offset voltage slew rate		50		V/s
$T_A$	Operating temperature range	-25		125	$^{\circ}\text{C}$
$T_{STG}$	Storage temperature range	-65		150	$^{\circ}\text{C}$
$P_D$	Power dissipation	8-SOP	0.625		W
		8-DIP	1.2		
$\theta_{JA}$	Thermal resistance (junction-to-air)	8-SOP	200		$^{\circ}\text{C/W}$
		8-DIP	100		

### Note:

- Do not supply a low-impedance voltage source to the internal clamping Zener diode between the GND and the  $V_{DD}$  pin of this device.

## Electrical Characteristics

$V_{BIAS} (V_{DD}, V_{BS}) = 15.0V$ ,  $T_A = 25^\circ C$ , unless otherwise specified.

Symbol	Characteristics	Condition	Min.	Typ.	Max.	Unit
<b>Supply Voltage Section</b>						
$V_{DDTH(ST+)}$	$V_{DD}$ UVLO positive going threshold	$V_{DD}$ increasing	12.4	13.4	14.4	V
$V_{DDTH(ST-)}$	$V_{DD}$ UVLO negative going threshold	$V_{DD}$ decreasing	10.8	11.6	12.4	
$V_{DDHY(ST)}$	$V_{DD}$ -side UVLO hysteresis			1.8		
$V_{CL}$	Supply clamping voltage	$I_{DD} = 10mA$	14.8	15.2		
$I_{ST}$	Start-up supply current	$V_{DD} = 10V$		120	200	$\mu A$
$I_{DD}$	Dynamic operating supply current	50kHz, $C_L = 1nF$		3.2		mA
<b>High-Side Supply Section (<math>V_B</math>-<math>V_S</math>)</b>						
$V_{HSTH(ST+)}$	High-side UVLO positive going threshold	$V_{BS}$ increasing	8.5	9.2	10.0	V
$V_{HSTH(ST-)}$	High-side UVLO negative going threshold	$V_{BS}$ decreasing	7.9	8.6	9.5	
$V_{HSHY(ST)}$	High-side UVLO hysteresis			0.6		
$I_{HST}$	High-side quiescent supply current	$V_{BS} = 14V$		50		$\mu A$
$I_{HD}$	High-side dynamic operating supply current	50kHz, $C_L = 1nF$		1		mA
$I_{LK}$	Offset supply leakage current	$V_B = V_S = 600V$			45	$\mu A$
<b>Oscillator Section</b>						
$V_{MPH}$	CPH pin preheating voltage range		2.5	3.0	3.5	V
$I_{PH}$	CPH pin charging current during preheating	$V_{CPH} = 1V$	1.25	2.00	2.85	$\mu A$
$I_{IG}$	CPH pin charging current during ignition	$V_{CPH} = 4V$	8	12	16	
$V_{MO}$	CPH pin voltage level at running mode			7.0		V
$f_{PRE}$	Preheating frequency	$R_T = 80k\Omega$ , $V_{CPH} = 2V$	72	85	98	kHz
$f_{OSC}$	Running frequency	$R_T = 80k\Omega$	48.7	53.0	57.3	kHz
$DT_{MAX}$	Maximum dead time	$V_{CPH} = 1V$ , $V_S = GND$ during preheat mode		3.1		$\mu s$
$DT_{MIN}$	Minimum dead time	$V_{CPH} = 6V$ , $V_S = GND$ during run mode		1.0		$\mu s$
<b>Output Section</b>						
$I_{OH+}$	High-side driver sourcing current	$PW = 10\mu s$	250	350		mA
$I_{OH-}$	High-side driver sinking current	$PW = 10\mu s$	500	650		
$I_{OL+}$	Low-side driver sourcing current	$PW = 10\mu s$	250	350		
$I_{OL-}$	Low-side driver sink current	$PW = 10\mu s$	500	650		
$t_{HOR}$	High-side driver turn-on rising time	$C_L = 1nF$ , $V_{BS} = 15V$		45		ns
$t_{HOL}$	High-side driver turn-off rising time	$C_L = 1nF$ , $V_{BS} = 15V$		25		
$t_{LOR}$	Low-side driver turn-on rising time	$C_L = 1nF$ , $V_{BS} = 15V$		45		
$t_{LOL}$	Low-side driver turn-off rising time	$C_L = 1nF$ , $V_{BS} = 15V$		25		
$V_S^{(2)}$	Maximum allowable negative $V_S$ swing range for signal propagation to high-side output			-9.8		V

**Electrical Characteristics** (Continued)

$V_{BIAS} (V_{DD}, V_{BS}) = 15.0V$ ,  $T_A = 25^\circ C$ , unless otherwise specified.

Symbol	Characteristics	Condition	Min.	Typ.	Max.	Unit
<b>Protection Section</b>						
$V_{CPHSD}$	Shutdown voltage	$V_{RT} = 0$ after run mode	2.6			V
$I_{SD}$	Shutdown current			250		$\mu A$
TSD	Thermal shutdown <sup>(2)</sup>			165		$^\circ C$

**Note:**

2. This parameter, although guaranteed, is not 100% tested in production.

Typical Characteristics

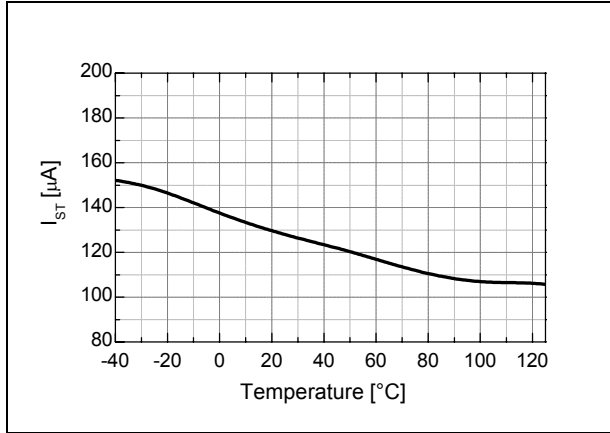


Figure 4. Start-Up Current vs. Temp.

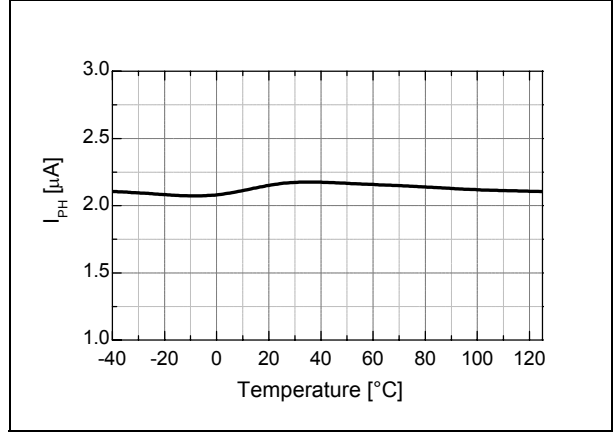


Figure 5. Preheating Current vs. Temp.

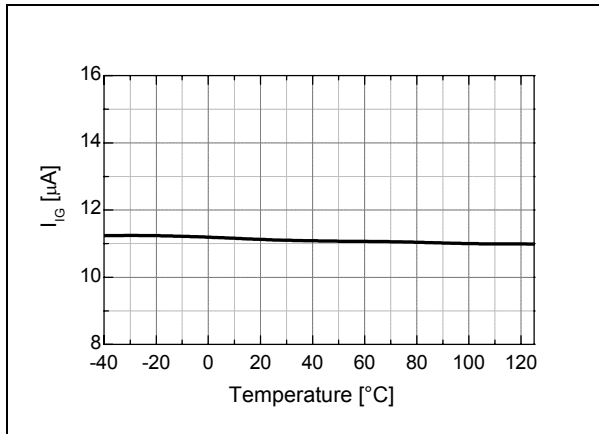


Figure 6. Ignition Current vs. Temp.

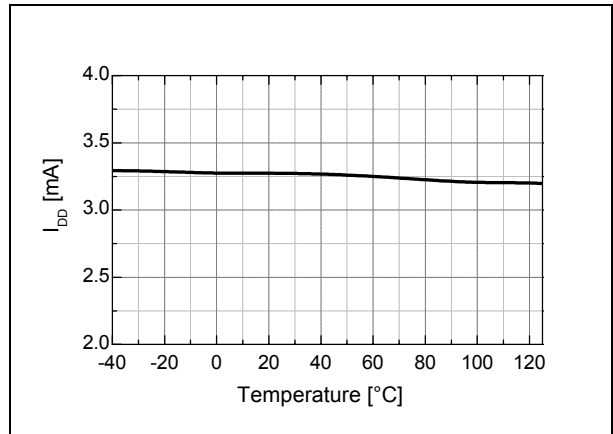


Figure 7. Operating Current vs. Temp.

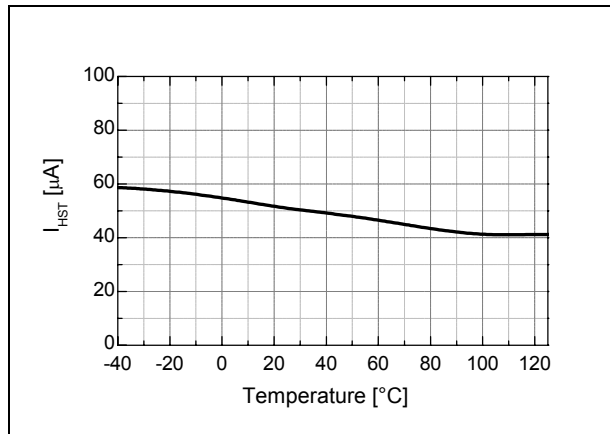


Figure 8. High-Side Quiescent Current vs. Temp.

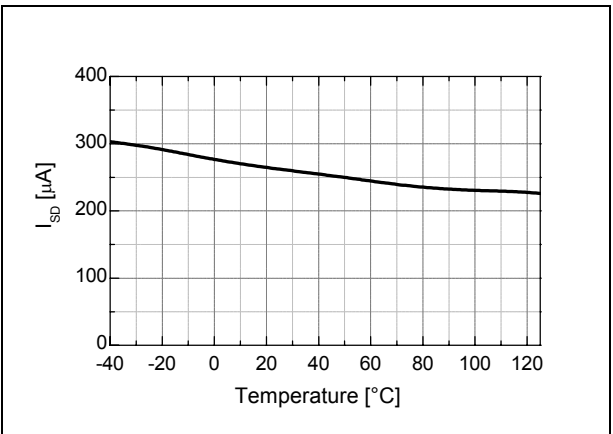


Figure 9. Shutdown Current vs. Temp.

Typical Characteristics (Continued)

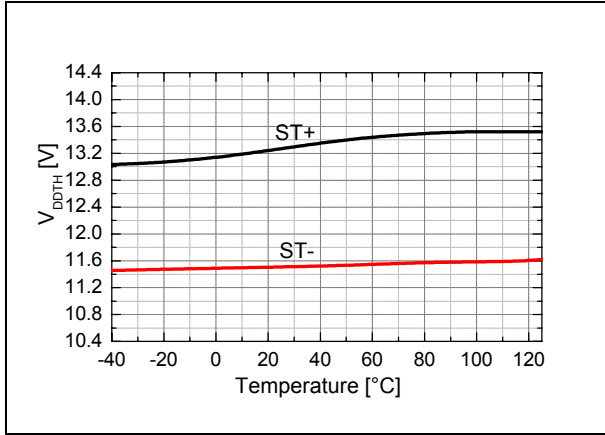


Figure 10. V<sub>DD</sub> UVLO vs. Temp.

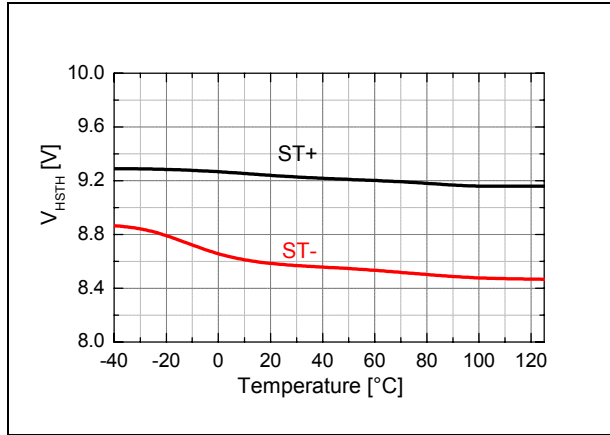


Figure 11. V<sub>BS</sub> UVLO vs. Temp.

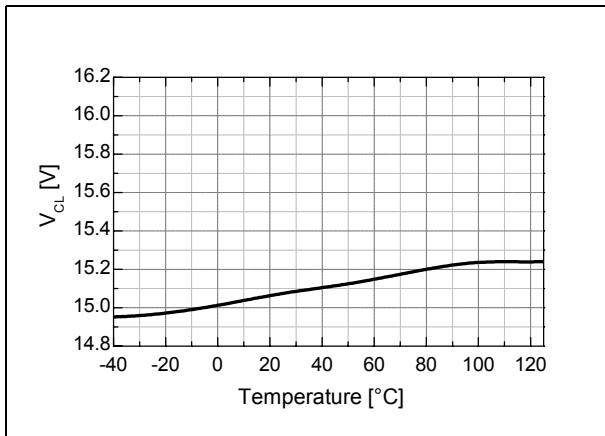


Figure 12. V<sub>DD</sub> Clamp Voltage vs. Temp.

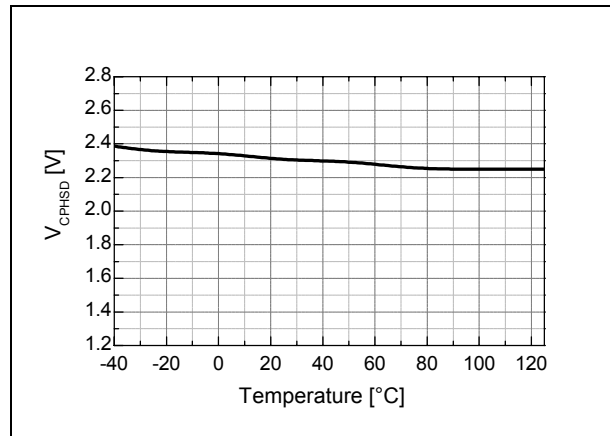


Figure 13. Shutdown Voltage vs. Temp.

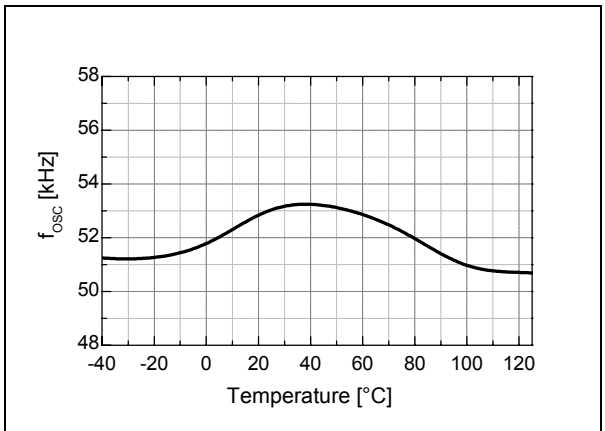


Figure 14. Running Frequency vs. Temp.

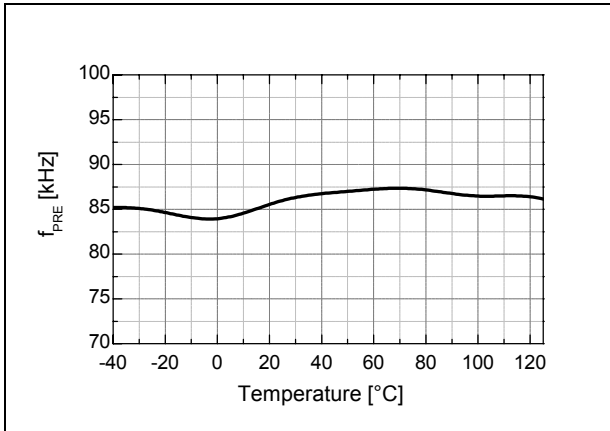


Figure 15. Preheating Frequency vs. Temp.



Typical Characteristics (Continued)

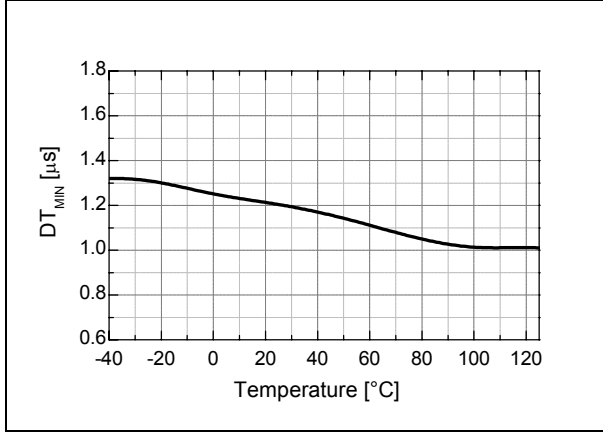


Figure 16. Minimum Dead Time vs. Temp.

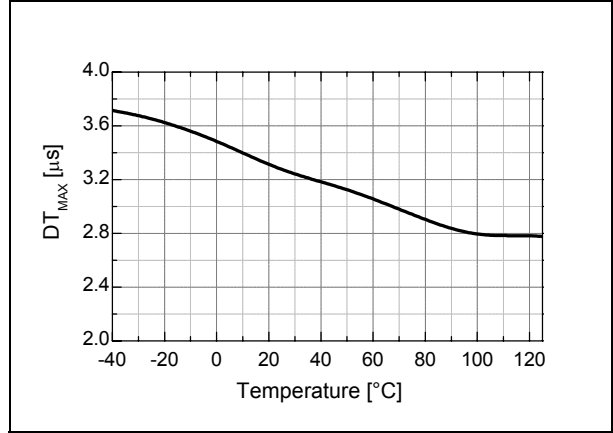


Figure 17. Maximum Dead Time vs. Temp.

## Typical Application Information

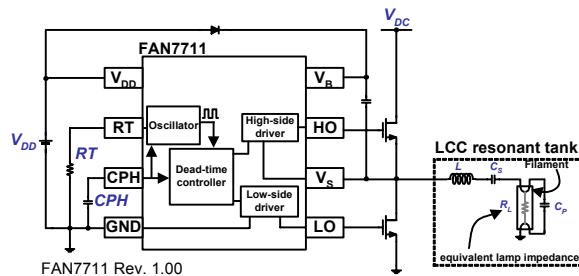
### 1. Under-Voltage Lockout (UVLO) Function

The FAN7711 has UVLO circuits for both high-side and low-side circuits. When  $V_{DD}$  reaches  $V_{DDTH(ST+)}$ , UVLO is released and the FAN7711 operates normally. At UVLO condition, FAN7711 consumes little current, noted  $I_{ST}$ . Once UVLO is released, FAN7711 operates normally until  $V_{DD}$  goes below  $V_{DDTH(ST-)}$ , the UVLO hysteresis. At UVLO condition, all latches that determine the status of the IC are reset. When the IC is in the shutdown mode, the IC can restart by lowering  $V_{DD}$  voltage below  $V_{DDTH(ST-)}$ .

FAN7711 has a high-side gate driver circuit. The supply for the high-side driver is applied between  $V_B$  and  $V_S$ . To protect the malfunction of the driver at low supply voltage, between  $V_B$  and  $V_S$ , FAN7711 provides an additional UVLO circuit between the supply rails. If  $V_B - V_S$  is under  $V_{HSTH(ST+)}$ , the driver holds low-state to turn off the high-side switch, as shown in Figure 18. As long as  $V_B - V_S$  is higher than  $V_{HSTH(ST-)}$  after  $V_B - V_S$  exceeds  $V_{HSTH(ST+)}$ , operation of the driver continues.

### 2. Oscillator

The ballast circuit for a fluorescent lamp is based on the LCC resonant tank and a half-bridge inverter circuit, as shown in Figure 18. To accomplish Zero-Voltage Switching (ZVS) of the half-bridge inverter circuit, the LCC is driven at a higher frequency than its resonant frequency, which is determined by  $L$ ,  $C_S$ ,  $C_P$ , and  $R_L$ , where  $R_L$  is the equivalent lamp's impedance.



**Figure 18. Resonant Inverter Circuit Based on LCC Resonant Tank**

The transfer function of LCC resonant tank is heavily dependent on the lamp impedance,  $R_L$ , as illustrated in Figure 19. The oscillator in FAN7711 generates effective driving frequencies to assist lamp ignition and improve lamp life longevity. Accordingly, the oscillation frequency is changed in the following sequence:

*Preheating freq. → Ignition freq. → Normal running freq.*

Before the lamp is ignited, the lamp impedance is very high. Once the lamp is turned on, the lamp impedance significantly decreases. Since the resonant peak is very high due to the high-resistance of the lamp at the instant of turning on the lamp, the lamp must be driven at higher frequency than the resonant frequency, shown as (A) in Figure 19. In this mode, the current supplied by the inverter mainly flows through  $C_P$ .  $C_P$  connects both filaments and makes the current path to ground. As a result, the current warms up the filament for easy ignition. The amount of the current can be adjusted by controlling the oscillation frequency or changing the capacitance of  $C_P$ . The driving frequency,  $f_{PRE}$ , is called preheating frequency and is derived by:

$$f_{PRE} = 1.6 \times f_{OSC} \quad (EQ 1)$$

After the warm-up, the FAN7711 decreases the frequency, shown as (B) of Figure 19. This action increases the voltage of the lamp and helps the fluorescent lamp ignite. The ignition frequency is described as a function of CPH voltage, as follows:

$$f_{IG} = [0.3 \times (5 - V_{CPH}) + 1] \times f_{OSC} \quad (EQ 2)$$

where  $V_{CPH}$  is the voltage of CPH capacitor.

Equation 2 is valid only when  $V_{CPH}$  is between 3V to 5V before FAN7711 enters running mode. Once  $V_{CPH}$  reaches 5V, the internal latch records the exit from ignition mode. Unless  $V_{DD}$  is below  $V_{DDTH(ST-)}$ , the preheating and ignition modes appear only once during lamp start transition.

Finally, the lamp is driven at a fixed frequency by an external resistor,  $R_T$ , shown as (C) of Figure 19. If  $V_{DD}$  is higher than  $V_{DDTH(ST+)}$  and UVLO is released, the voltage of  $R_T$  pin is regulated to 4V. This voltage adjusts the oscillator's control current according to the resistance of  $R_T$ . Because this current and an internal capacitor set the oscillation frequency, the FAN7711 does not need any external capacitors.

The proposed oscillation characteristic is given by:

$$f_{OSC} = \frac{4 \times 10^9}{RT} \quad (EQ 3)$$

Even in the active ZVS mode, shown as (D) in Figure 19, the oscillation frequency is not changed. The dead-time is varied according to the resonant tank characteristic.

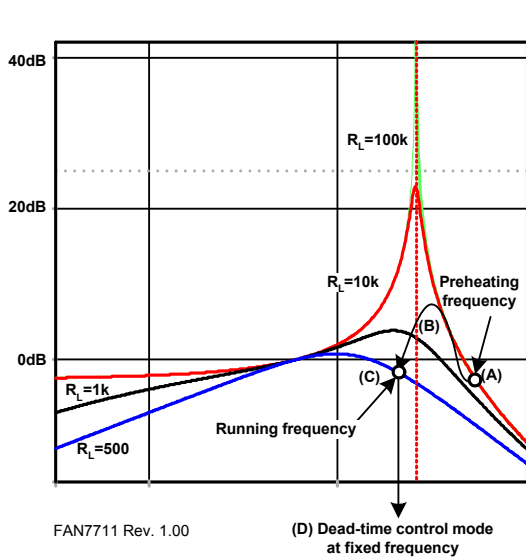
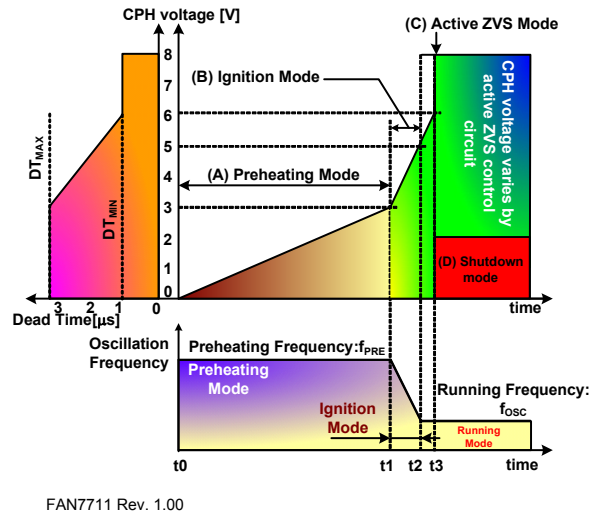


Figure 19. LCC Transfer Function in Terms of Lamp Impedance

### 3. Operation Modes

FAN7711 has four operation modes: (A) preheating mode, (B) ignition mode, (C) active ZVS mode, and (D) shutdown mode, depicted in Figure 20. The modes are automatically selected by the voltage of CPH capacitor, shown in Figure 20. In modes (A) and (B), the CPH acts as a timer to determine the preheating and ignition times. After the preheating and ignition modes, the role of the CPH is changed to stabilize the active ZVS control circuit. In this mode, the dead time of the inverter is selected by the voltage of CPH. Only when FAN7711 is in active ZVS mode is it possible to shut off the whole system using CPH pin. Pulling the CPH pin below 2V in active ZVS mode, causes the FAN7711 to enter shutdown mode. In shutdown mode, all active operation is stopped, except UVLO and some bias circuitry. The shutdown mode is triggered by the external CPH control or the active ZVS circuit. The active ZVS circuit automatically detects lamp removal (open-lamp condition) and decreases CPH voltage below 2V to protect the inverter switches from damage.



FAN7711 Rev. 1.00

Figure 20. Operation Modes

#### 3.1 Preheating Mode (t0~t1)

When  $V_{DD}$  exceeds  $V_{DDTH(ST+)}$ , the FAN7711 starts operation. At this time, an internal current source ( $I_{PH}$ ) charges CPH. CPH voltage increases from 0V to 3V in preheating mode. Accordingly, the oscillation frequency follows the Equation 4. In this mode, the lamp is not ignited, but warmed up for easy ignition. The preheating time depends on the size of CPH:

$$f_{preheat} = \frac{3 \times CPH}{I_{PH}} \text{ [Sec.]} \quad (EQ 4)$$

According to preheating process, the voltage across the lamp to ignite is reduced and the lifetime of the lamp is increased. In this mode, the dead time is fixed at its maximum value.

#### 3.2 Ignition Mode (t1~t2)

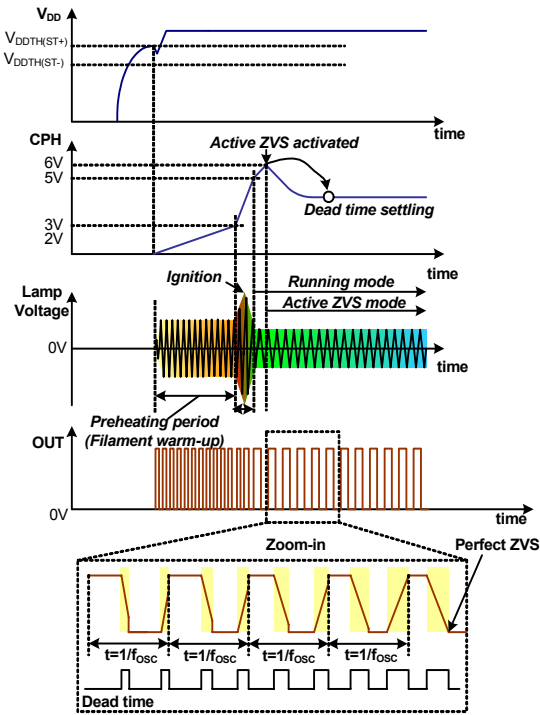
When the CPH voltage exceeds 3V, the internal current source to charge CPH is increased about six times larger than  $I_{PH}$ , noted as  $I_{IG}$ , causing rapid increase in CPH voltage. The internal oscillator decreases the oscillation frequency from  $f_{PRE}$  to  $f_{OSC}$  as CPH voltage increases. As depicted in Figure 20, lowering the frequency increases the voltage across the lamp. Finally, the lamp ignites. Ignition mode is defined when CPH voltage lies between 3V and 5V. Once CPH voltage reaches 5V, the FAN7711 does not return to ignition mode, even if the CPH voltage is in that range, until the FAN7711 restarts from below  $V_{DDTH(ST-)}$ . Since the ignition mode continues when CPH is from 3V to 5V, the ignition time is given by:

$$t_{ignition} = \frac{2 \times CPH}{I_{IG}} \text{ [Sec.]} \quad (EQ 5)$$

In this mode, dead time varies according to the CPH voltage.

### 3.3 Running and Active Zero-Voltage Switching (AZVS) Modes (t2~)

When CPH voltage exceeds 5V, the operating frequency is fixed to  $f_{OSC}$  by RT. However, active ZVS operation is not activated until CPH reaches ~6V. The FAN7711 prepares for active ZVS operation from the instant CPH exceeds 5V during t2 to t3. When CPH becomes higher than ~6V at t3, the active ZVS operation is activated. To determine the switching condition, FAN7711 detects the transition time of the output ( $V_S$  pin) of the inverter. From the output-transition information, FAN7711 controls the dead time to meet the ZVS condition. If ZVS is satisfied, the FAN7711 slightly increases the CPH voltage to reduce the dead time and to find optimal dead time, which increases the efficiency and decreases the thermal dissipation and EMI of the inverter switches. If ZVS fails, the FAN7711 decreases CPH voltage to increase the dead time. CPH voltage is adjusted to meet optimal ZVS operation. During the active ZVS mode, the amount of the charging/discharging current is the same as  $I_{PH}$ . Figure 21 depicts normal operation waveforms.

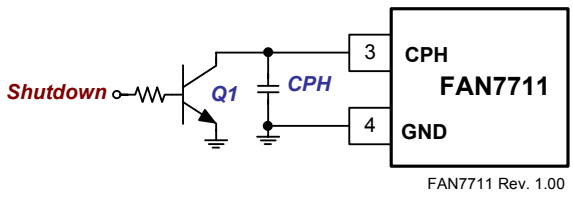


FAN7711 Rev. 1.00

**Figure 21. Typical Transient Waveform from Preheating to Active ZVS Mode**

### 3.4 Shutdown Mode

If the voltage of capacitor CPH is decreased below ~2.6V by an external application circuit or internal protection circuit, the IC enters shutdown mode. Once the IC enters shutdown mode, this status continues until an internal latch is reset by decreasing  $V_{DD}$  below  $V_{DDTH(ST-)}$ . Figure 22 shows an example of external shutdown control circuit.



FAN7711 Rev. 1.00

**Figure 22. External Shutdown Circuit**

The amount of the CPH charging current is the same as  $I_{PH}$ , making it possible to shut off the IC using small signal transistor. FAN7711 provides active ZVS operation by controlling the dead time according to the voltage of CPH. If ZVS fails, even at the maximum dead time, FAN7711 stops driving the inverter.

The FAN7711 thermal shutdown circuit senses the junction temperature of the IC. If the temperature exceeds ~160°C, the thermal shutdown circuit stops operation of the FAN7711.

The current usages of shutdown mode and under-voltage lockout status are different. In shutdown mode, some circuit blocks, such as bias circuits, are kept alive. Therefore, the current consumption is slightly higher than during under-voltage lockout.

### 4. Automatic Open-Lamp Detection

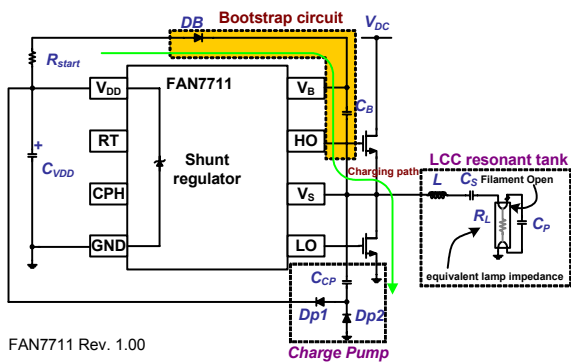
FAN7711 can automatically detect the open-lamp condition. When the lamp is opened, the resonant tank fails to make a closed-loop to the ground, as shown in Figure 23. The supplied current from the  $V_S$  pin is used to charge and discharge the charge pump capacitor,  $C_P$ . Since the open-lamp condition means resonant tank absence, it is impossible to meet ZVS condition. In this condition, the power dissipation of the FAN7711, due to capacitive load drive, is estimated as:

$$P_{Dissipation} = \frac{1}{2} \times C_P \times V_{DC}^2 \times f \quad [W] \quad (EQ 6)$$

where  $f$  is driving frequency and  $V_{DC}$  is DC-link voltage.



When  $V_S$  goes high, the diode  $D_B$  is reverse-biased and  $C_B$  supplies the current to the high-side driver. At this time, since  $C_B$  discharges,  $V_B - V_S$  voltage decreases. If  $V_B - V_S$  goes below  $V_{HSTH(ST)}$ , the high-side driver cannot operate due to the high-side UVLO protection circuit.  $C_B$  must be chosen to be large enough not to fall into UVLO range due to the discharge during a half of the oscillation period, especially when the high-side MOSFET is turned on.



**Figure 26. Implementation of Floating Power Supply Using the Bootstrap Method**

## Design Guide

### 1. Start-up Circuit

The start-up current ( $I_{ST}$ ) is supplied to the IC through the start-up resistor,  $R_{start}$ . Once operation starts, the power is supplied by the charge pump circuit. To reduce the power dissipation in  $R_{start}$ , select  $R_{start}$  as high as possible, considering the current requirements at start-up. For 220V<sub>AC</sub> power, the rectified voltage by the full-wave rectifier makes DC voltage, as shown in Equation 8. The voltage contains lots of AC component due to poor regulation characteristic of the simple full-wave rectifier:

$$V_{DC} = \sqrt{2} \times 220[V] \cong 311[V] \quad (EQ 8)$$

Considering the selected parameters,  $R_{start}$  must satisfy the following equation:

$$\frac{V_{DC} - V_{DDTH(ST+)}}{R_{start}} > I_{ST} \quad (EQ 9)$$

From Equation 9,  $R_{start}$  is selected as:

$$\frac{V_{DC} - V_{DDTH(ST+)}}{I_{ST}} > R_{start} \quad (EQ 10)$$

Note that if choosing the maximum  $R_{start}$ , it takes long time for  $V_{DD}$  to reach  $V_{DDTH(st+)}$ . Considering  $V_{DD}$  rising time,  $R_{start}$  must be selected as shown in Figure 30.

Another important concern for choosing  $R_{start}$  is the available power rating of  $R_{start}$ . To use a commercially available, low-cost 1/4Ω resistor,  $R_{start}$  must obey the following rule:

$$\frac{(V_{DC} - V_{CL})^2}{R_{start}} < \frac{1}{4} [W] \quad (EQ 11)$$

Assuming  $V_{DC}=311V$  and  $V_{CL}=15V$ , the minimum resistance of  $R_{start}$  is about 350kΩ.

When the IC operates in shutdown mode due to thermal protection, open-lamp protection, or hard-switching protection, the IC consumes shutdown current,  $I_{SD}$ , which is larger than  $I_{ST}$ . To prevent restart during this mode,  $R_{start}$  must be selected to cover  $I_{SD}$  current consumption. The following equation must be satisfied:

$$\frac{V_{DC} - V_{DDTH(ST+)}}{I_{SD}} > R_{start} \quad (EQ 12)$$

From Equations 10 - 12; it is possible to select  $R_{start}$ :

(1) For safe start-up without restart in shutdown mode:

$$4(V_{DC} - V_{CL})^2 < R_{start} < \frac{V_{DC} - V_{DDTH(ST+)}}{I_{SD}} \quad (EQ 13)$$

(2) For safe start-up with restart from shutdown mode:

$$\frac{V_{DC} - V_{DDTH(ST+)}}{I_{SD}} < R_{start} < \frac{V_{DC} - V_{DDTH(ST+)}}{I_{ST}} \quad (EQ 14)$$

If  $R_{start}$  meets Equation 14, restart operation is possible. However, it is not recommended to choose  $R_{start}$  at that range because  $V_{DD}$  rising time could be long and it increases the lamp's turn-on delay time, as depicted in Figure 27.

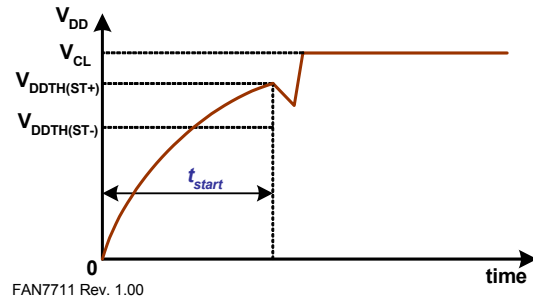


Figure 27.  $V_{DD}$  Build-up

Figure 28 shows the equivalent circuit for estimating  $t_{start}$ . From the circuit analysis,  $V_{DD}$  variation versus time is given by:

$$V_{DD}(t) = (V_{DC} - R_{start} \cdot I_{ST}) \left(1 - e^{-t/(R_{start} \cdot C_{VDD})}\right) \quad (EQ 15)$$

where  $C_{VDD}$  is the total capacitance of the bypass capacitors connected between  $V_{DD}$  and GND.

From Equation 15, it is possible to calculate  $t_{start}$  by substituting  $V_{DD}(t)$  with  $V_{DDTH(ST+)}$ :

$$t_{start} = -R_{start} \cdot C_{VDD} \cdot \ln \frac{V_{DC} - R_{start} \cdot I_{ST} - V_{DDTH(ST+)}}{V_{DC} - R_{start} \cdot I_{ST}} \quad (EQ 16)$$

In general, Equation 16 can be simplified as:

$$t_{start} \approx \frac{R_{start} \cdot C_{VDD} \cdot V_{DDTH(ST+)}}{V_{DC} - R_{start} \cdot I_{ST} - V_{DDTH(ST+)}} \quad (EQ 17)$$

Accordingly,  $t_{start}$  can be controlled by adjusting the value of  $R_{start}$  and  $C_{VDD}$ . For example, if  $V_{DC}=311V$ ,  $R_{start}=560k$ ,  $C_{VDD}=10\mu F$ ,  $I_{st}=120\mu A$ , and  $V_{DDTH(ST+)}=13.5V$ ,  $t_{start}$  is about 0.33s.

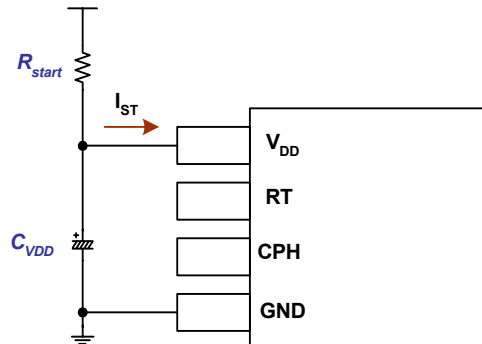


Figure 28. Equivalent Circuit During Start

### 2. Current Supplied by Charge Pump

For the IC supply, the charge pump method is used in Figure 29. Since  $C_{CP}$  is connected to the half-bridge output, the supplied current by  $C_{CP}$  to the IC is determined by the output voltage of the half-bridge.

When the half-bridge output shows rising slope,  $C_{CP}$  is charged and the charging current is supplied to the IC. The current can be estimated as:

$$I = C_{CP} \frac{dV}{dt} \approx C_{CP} \frac{V_{DC}}{DT} \quad (EQ 18)$$

where  $DT$  is the dead time and  $dV/dt$  is the voltage variation of the half-bridge output.

When the half-bridge shows falling slope,  $C_{CP}$  is discharged through  $Dp2$ . Total supplied current,  $I_{total}$ , to the IC during switching period,  $t$ , is:

$$I_{total} = I \cdot DT = C_{CP} \cdot V_{DC} \quad (EQ 19)$$

From Equation 19, the average current,  $I_{avg}$ , supplied to the IC is obtained by:

$$I_{avg} = \frac{I_{total}}{t} = \frac{C_{CP} \cdot V_{DC}}{t} = C_{CP} \cdot V_{DC} \cdot f \quad (EQ 20)$$

For the stable operation,  $I_{avg}$  must be higher than the required current. If  $I_{avg}$  exceeds the required current, the residual current flows through the shunt regulator implemented on the chip, which can cause unwanted heat generation. Therefore,  $C_{CP}$  must be selected considering stable operation and thermal generation.

For example, if  $C_{CP}=0.5nF$ ,  $V_{DC}=311V$ , and  $f=50kHz$ ,  $I_{avg}$  is  $\sim 7.8mA$ ; it is enough current for stable operation.

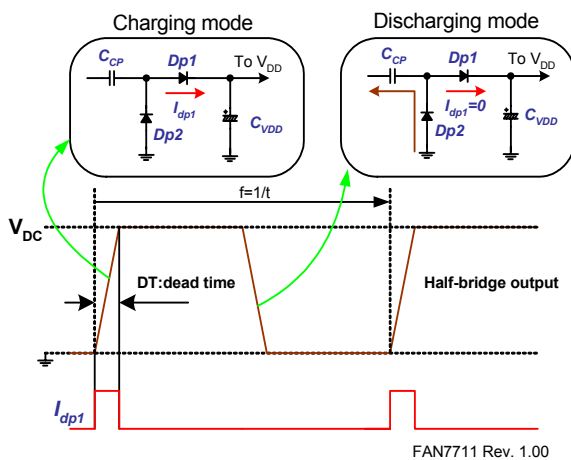


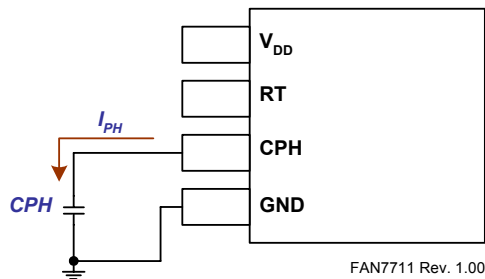
Figure 29. Charge Pump Operation

### 3. Lamp Turn-on Time

The turn-on time of the lamp is determined by supply build-up time  $t_{start}$ , preheating time, and ignition time; where  $t_{start}$  has been obtained by Equation 17. When the IC's supply voltage exceeds  $V_{DDTH(ST+)}$  after turn-on or restart, the IC operates in preheating mode. This operation continues until CPH pin's voltage reaches  $\sim 3V$ . In this mode, CPH capacitor is charged by  $I_{PH}$  current, as depicted in Figure 30. The preheating time is achieved by calculating:

$$t_{preheat} = 3 \frac{CPH}{I_{PH}} \quad (EQ 21)$$

The preheating time is related to lamp life (especially filament); therefore, the characteristics of a given lamp should be considered when choosing the time.



FAN7711 Rev. 1.00

Figure 30. Preheating Timer

Compared to the preheating time, it is almost impossible to exactly predict the ignition time, whose definition is the time from the end of the preheating time to ignition. In general, the lamp ignites during the ignition mode. Therefore, assume that the maximum ignition time is the same as the duration of ignition mode, from 3V until CPH reaches 5V. Thus, ignition time can be defined as:

$$t_{ignition} = (5 - 3) \frac{CPH}{I_{IG}} = 2 \frac{CPH}{I_{IG}} \quad (EQ 22)$$

Note that, at ignition mode, CPH is charged by  $I_{IG}$ , which is six times larger than  $I_{PH}$ . Consequently, total turn-on time is approximately:

$V_{DD}$  Build-Time + Preheating Time + Ignition Time =

$$t_{ignition} = (5 - 3) \frac{CPH}{I_{IG}} = 2 \frac{CPH}{I_{IG}} \text{ [Sec.]} \quad (EQ 23)$$



#### 4. PCB Guide line

Component selection and placement on the PCB is very important when using power control ICs. Bypass the  $V_{CC}$  to GND as close to the IC terminals as possible with a low-ESR/ESL capacitor, as shown in Figure 31. This bypassed capacitor ( $C_{bp}$ ) can reduce the noise from the power supply parts, such as start-up resistor and charge pump.

The signal GND must be separated from the power GND. So, the signal GND should be directly connected to the rectify capacitor using an individual PCB trace.

In addition, the ground return path of the timing components (CPH, RT) and  $V_{DD}$  decoupling capacitor should be connected directly to the IC GND lead and not via separate traces or jumpers to other ground traces on the board. These connection techniques prevent high-current ground loops from interfering with sensitive timing component operations and allow the entire control circuit to reduce common-mode noise due to output switching.

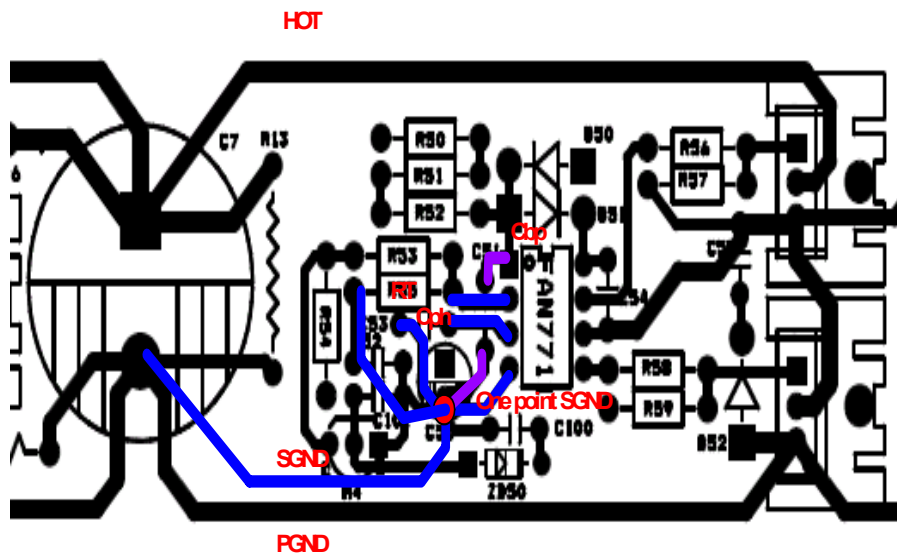
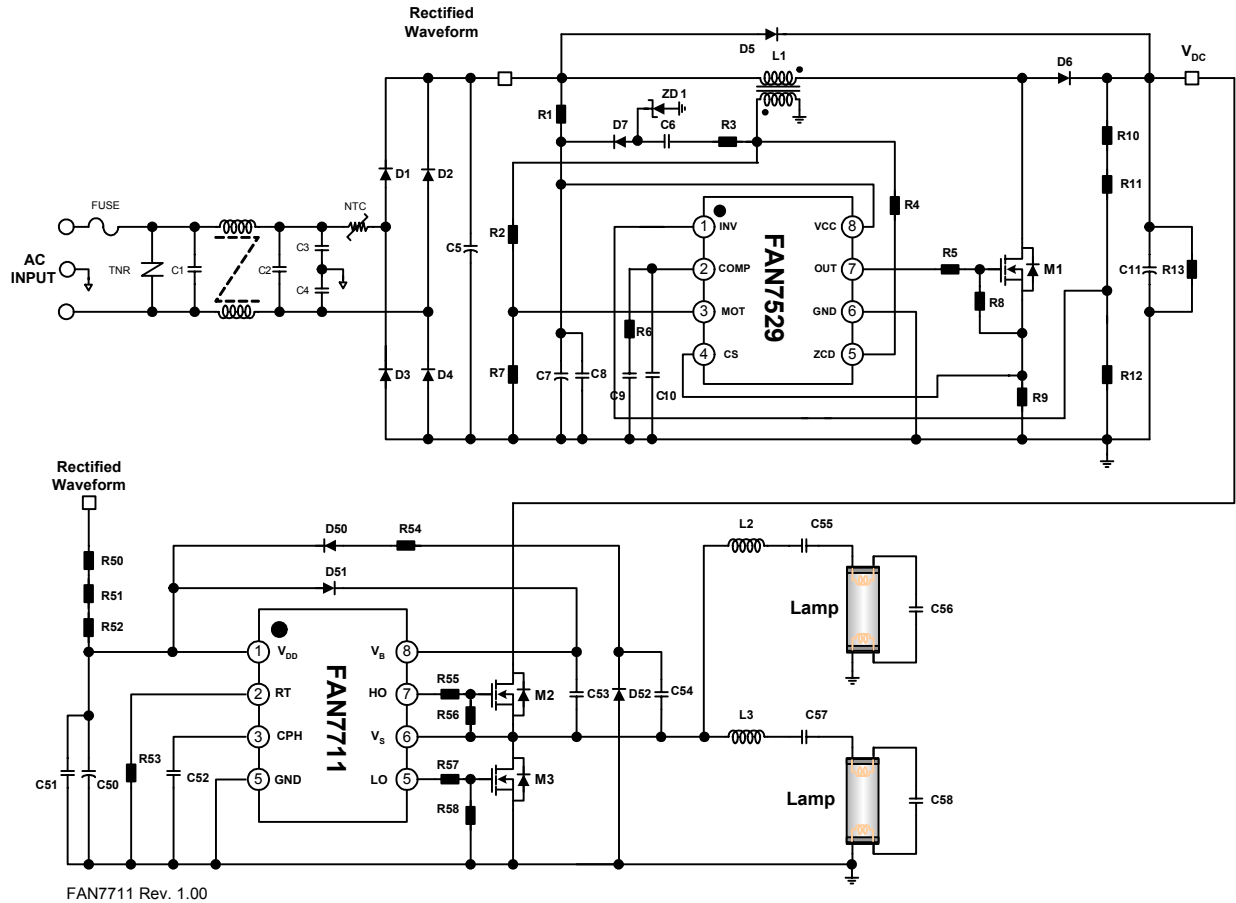


Figure 31. Preheating Timer

Typical Application Diagram



FAN7711 Rev. 1.00

Figure 32. Application Circuit of 32W Two Lamps

### Component List for 32W Two Lamps

Part	Value	Note	Part	Value	Note
<b>Resistor</b>			C55	15nF/630V	Miller Capacitor
R1	330kΩ	1/2W	C56	2.2nF/1kV	Miller Capacitor
R2	750kΩ	1/4W	C57	15nF/630V	Miller Capacitor
R3	100Ω	1/2W	C58	2.2nF/1kV	Miller Capacitor
R4	20kΩ	1/4W	<b>Diode</b>		
R5	47Ω	1/4W	D1	1N4007	1kV,1A
R6	10kΩ	1/4W	D2	1N4007	1kV,1A
R7	50kΩ	1/4W	D3	1N4007	1kV,1A
R8	47kΩ	1/4W	D4	1N4007	1kV,1A
R9	0.3Ω	1W	D5	UF4007	Ultra Fast,1kV,1A
R10	1MΩ	1/4W	D6	UF4007	Ultra Fast,1kV,1A
R11	1MΩ	1/4W	D7	1N4148	100V,1A
R12	12.6kΩ	1/4W,1%	D50	UF4007	Ultra Fast,1kV,1A
R13	220kΩ	2W	D51	UF4007	Ultra Fast,1kV,1A
R50	150kΩ	1/4W	D52	UF4007	Ultra Fast,1kV,1A
R51	150kΩ	1/4W	ZD1	IN4746A	Zener 18V, 1W
R52	150kΩ	1/4W	<b>MOSFET</b>		
R53	90kΩ	1/4W,1%	M1	FQPF5N60C	500V,6A
R54	10Ω	1/4W	M2	FQPF5N50C	500V,5A
R55	47Ω	1/4W	M3	FQPF5N50C	500V,5A
R56	47kΩ	1/4W	<b>Fuse</b>		
R57	47Ω	1/4W	Fuse	3A/250V	
R58	47kΩ	1/4W	<b>TNR</b>		
<b>Capacitor</b>			TNR	471	
C1	47nF/275V <sub>AC</sub>	Box Capacitor	<b>NTC</b>		
C2	150nF/275V <sub>AC</sub>	Box Capacitor	NTC	10D-09	
C3	2200pF/3kV	Ceramic Capacitor	<b>Line Filter</b>		
C4	2200pF/3kV	Ceramic Capacitor	LF1	40mH	
C5	0.22μF/630V	Miller Capacitor	<b>Transformer</b>		
C6	12nF/50V	Ceramic Capacitor	L1	0.94mH(75T:10T)	EI2820
C7	22μF/50V	Electrolytic Capacitor	<b>Inductor</b>		
C8	1μF/50V	Ceramic Capacitor	L2	3.2mH(130T)	EI2820
C9	1μF/50V	Ceramic Capacitor	L3	3.2mH(130T)	EI2820
C10	0.1μF/50V	Ceramic Capacitor	<b>IC</b>		
C11	47μF/450V	Electrolytic Capacitor	U1	FAN7711	Fairchild Semiconductor
C50	10μF/50V	Electrolytic Capacitor	U2	FAN7529	Fairchild Semiconductor
C51	1μF/50V	Ceramic Capacitor			
C52	0.47μF/25V	Ceramic Capacitor,5%			
C53	100nF/50V	Ceramic Capacitor			
C54	470pF/1kV	Ceramic Capacitor			

## Component List for 20W CFL

Part	Value	Note	Part	Value	Note
<b>Resistor</b>			<b>Diode</b>		
R1	560k $\Omega$	1/4W	D1	1N4007	1kV/1A
R2	90k $\Omega$	1/4W	D2	1N4007	1kV/1A
R3	10 $\Omega$	1/4W	D3	1N4007	1kV/1A
R4	47 $\Omega$	1/4W	D4	1N4007	1kV/1A
R5	47 $\Omega$	1/4W	D5	UF4007	1kV/1A,Ultra Fast
			D6	UF4007	1kV/1A,Ultra Fast
			D7	UF4007	1kV/1A,Ultra Fast
<b>Capacitor</b>			<b>Inductor</b>		
C1	22 $\mu$ F/250V	Electrolytic Capacitor	L1	2.5mH (280T)	EE1616S
C2	10 $\mu$ F/50V	Electrolytic Capacitor	<b>MOSFET</b>		
C3	470nF/25V	Miller Capacitor	Q1	FQPF1N50C	500V,1A
C4	100nF/25V	Miller Capacitor	Q2	FQPF1N50C	500V,1A
C5	470pF/630V	Miller Capacitor	<b>IC</b>		
C6	33nF/630V	Miller Capacitor	U1	FAN7711	Fairchild Semiconductor
C7	3.9nF/1kV	Miller Capacitor			

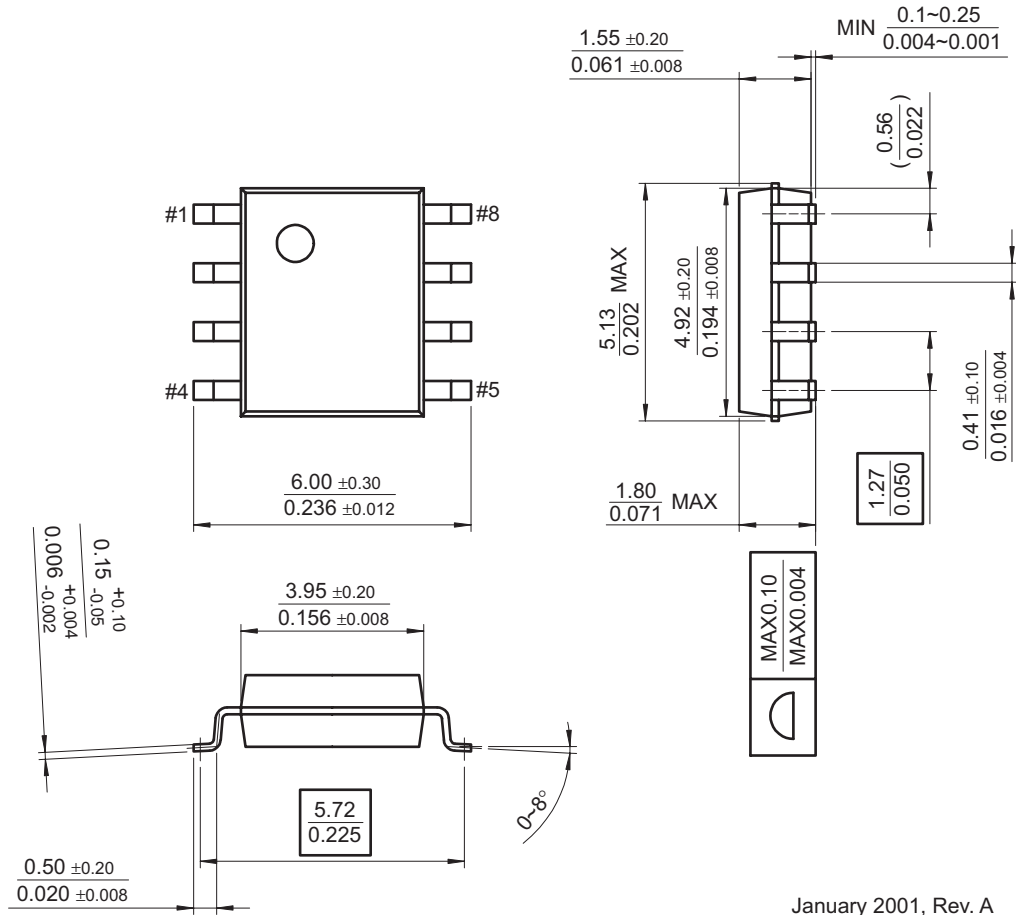
**Note:**

3. Refer to the typical application circuit provided in Figure 1.

### Package Dimensions

#### 8-SOP

Dimensions are in millimeters unless otherwise noted.



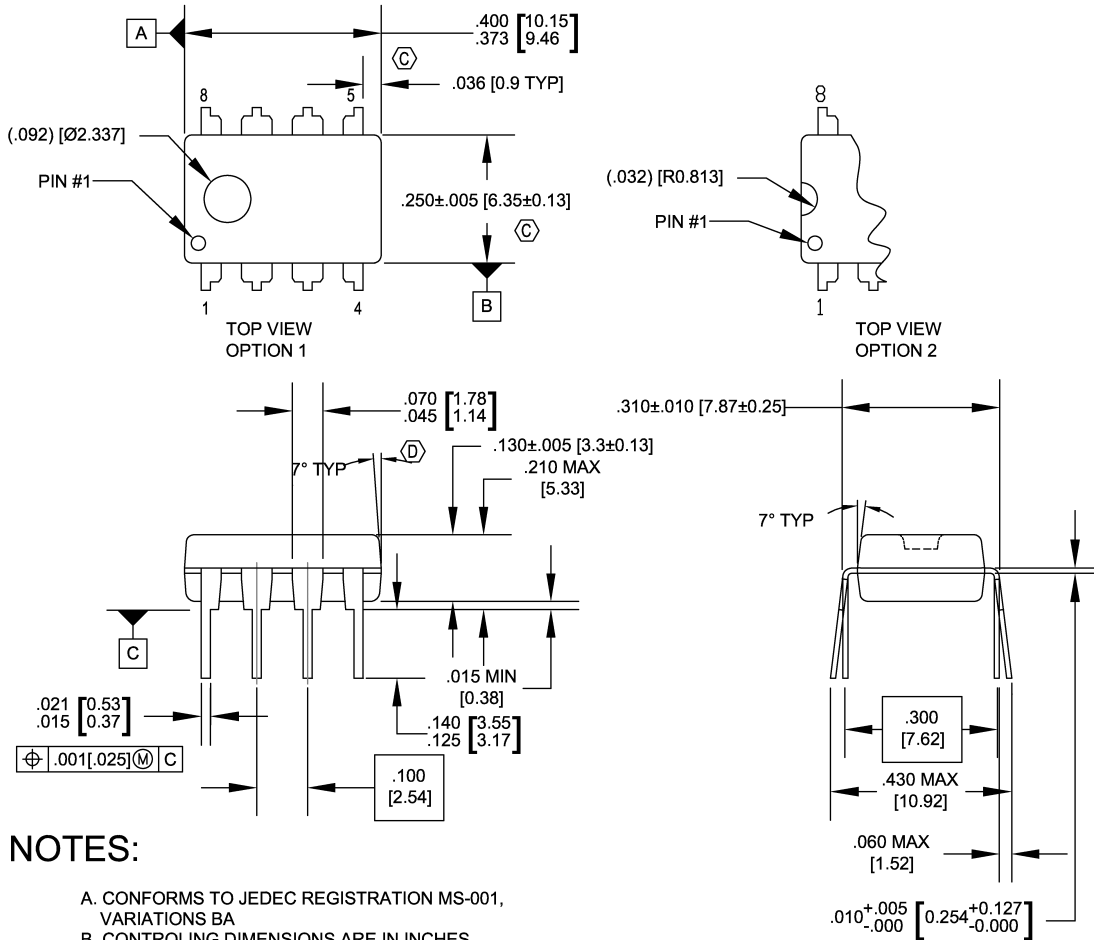
January 2001, Rev. A  
sop8\_dim.pdf

Figure 33. 8-Lead Small Outline Package (SOP)

### Package Dimensions

#### 8-DIP

Dimensions are in inches and [millimeters] unless otherwise noted.



#### NOTES:

- A. CONFORMS TO JEDEC REGISTRATION MS-001, VARIATIONS BA
- B. CONTROLLING DIMENSIONS ARE IN INCHES  
REFERENCE DIMENSIONS ARE IN MILLIMETERS
- C. DOES NOT INCLUDE MOLD FLASH OR PROTRUSIONS.  
MOLD FLASH OR PROTRUSIONS SHALL NOT EXCEED  
.010 INCHES OR 0.25MM.
- D. DOES NOT INCLUDE DAMBAR PROTRUSIONS.  
DAMBAR PROTRUSIONS SHALL NOT EXCEED  
.010 INCHES OR 0.25MM.
- E. DIMENSIONING AND TOLERANCING  
PER ASME Y14.5M-1994.


N08EREVG

Figure 34. 8-Lead Dual In-Line Package (DIP)



## TRADEMARKS

The following are registered and unregistered trademarks Fairchild Semiconductor owns or is authorized to use and is not intended to be an exhaustive list of all such trademarks.

ACEx <sup>®</sup>	HiSeC <sup>™</sup>	Programmable Active Droop <sup>™</sup>	TinyLogic <sup>®</sup>
Across the board. Around the world. <sup>™</sup>	<i>i-Lo</i> <sup>™</sup>	QFET <sup>®</sup>	TINYOPTO <sup>™</sup>
ActiveArray <sup>™</sup>	ImpliedDisconnect <sup>™</sup>	QS <sup>™</sup>	TinyPower <sup>™</sup>
Bottomless <sup>™</sup>	IntelliMAX <sup>™</sup>	QT Optoelectronics <sup>™</sup>	TinyWire <sup>™</sup>
Build it Now <sup>™</sup>	ISOPLANAR <sup>™</sup>	Quiet Series <sup>™</sup>	TruTranslation <sup>™</sup>
CoolFET <sup>™</sup>	MICROCOUPLER <sup>™</sup>	RapidConfigure <sup>™</sup>	μSerDes <sup>™</sup>
CROSSVOLT <sup>™</sup>	MicroPak <sup>™</sup>	RapidConnect <sup>™</sup>	UHC <sup>®</sup>
CTL <sup>™</sup>	MICROWIRE <sup>™</sup>	ScalarPump <sup>™</sup>	UniFET <sup>™</sup>
Current Transfer Logic <sup>™</sup>	MSX <sup>™</sup>	SMART START <sup>™</sup>	VCX <sup>™</sup>
DOME <sup>™</sup>	MSXPro <sup>™</sup>	SPM <sup>®</sup>	Wire <sup>™</sup>
E <sup>2</sup> CMOS <sup>™</sup>	OCX <sup>™</sup>	STEALTH <sup>™</sup>	
EcoSPARK <sup>®</sup>	OCXPro <sup>™</sup>	SuperFET <sup>™</sup>	
EnSigna <sup>™</sup>	OPTOLOGIC <sup>®</sup>	SuperSOT <sup>™</sup> -3	
FACT Quiet Series <sup>™</sup>	OPTOPLANAR <sup>®</sup>	SuperSOT <sup>™</sup> -6	
FACT <sup>®</sup>	PACMAN <sup>™</sup>	SuperSOT <sup>™</sup> -8	
FAST <sup>®</sup>	POP <sup>™</sup>	SyncFET <sup>™</sup>	
FASTr <sup>™</sup>	Power220 <sup>®</sup>	TCM <sup>™</sup>	
FPST <sup>™</sup>	Power247 <sup>®</sup>	The Power Franchise <sup>®</sup>	
FRFET <sup>®</sup>	PowerEdge <sup>™</sup>	 ™	
GlobalOptoisolator <sup>™</sup>	PowerSaver <sup>™</sup>	TinyBoost <sup>™</sup>	
GTO <sup>™</sup>	PowerTrench <sup>®</sup>	TinyBuck <sup>™</sup>	

## DISCLAIMER

FAIRCHILD SEMICONDUCTOR RESERVES THE RIGHT TO MAKE CHANGES WITHOUT FURTHER NOTICE TO ANY PRODUCTS HEREIN TO IMPROVE RELIABILITY, FUNCTION OR DESIGN. FAIRCHILD DOES NOT ASSUME ANY LIABILITY ARISING OUT OF THE APPLICATION OR USE OF ANY PRODUCT OR CIRCUIT DESCRIBED HEREIN; NEITHER DOES IT CONVEY ANY LICENSE UNDER ITS PATENT RIGHTS, NOR THE RIGHTS OF OTHERS. THESE SPECIFICATIONS DO NOT EXPAND THE TERMS OF FAIRCHILD'S WORLDWIDE TERMS AND CONDITIONS, SPECIFICALLY THE WARRANTY THEREIN, WHICH COVERS THESE PRODUCTS.

## LIFE SUPPORT POLICY

FAIRCHILD'S PRODUCTS ARE NOT AUTHORIZED FOR USE AS CRITICAL COMPONENTS IN LIFE SUPPORT DEVICES OR SYSTEMS WITHOUT THE EXPRESS WRITTEN APPROVAL OF FAIRCHILD SEMICONDUCTOR CORPORATION.

As used herein:

1. Life support devices or systems are devices or systems which, (a) are intended for surgical implant into the body or (b) support or sustain life, and (c) whose failure to perform when properly used in accordance with instructions for use provided in the labeling, can be reasonably expected to result in a significant injury of the user.
2. A critical component in any component of a life support, device, or system whose failure to perform can be reasonably expected to cause the failure of the life support device or system, or to affect its safety or effectiveness.

## PRODUCT STATUS DEFINITIONS

### Definition of Terms

Datasheet Identification	Product Status	Definition
Advance Information	Formative or In Design	This datasheet contains the design specifications for product development. Specifications may change in any manner without notice.
Preliminary	First Production	This datasheet contains preliminary data; supplementary data will be published at a later date. Fairchild Semiconductor reserves the right to make changes at any time without notice to improve design.
No Identification Needed	Full Production	This datasheet contains final specifications. Fairchild Semiconductor reserves the right to make changes at any time without notice to improve design.
Obsolete	Not In Production	This datasheet contains specifications on a product that has been discontinued by Fairchild Semiconductor. The datasheet is printed for reference information only.