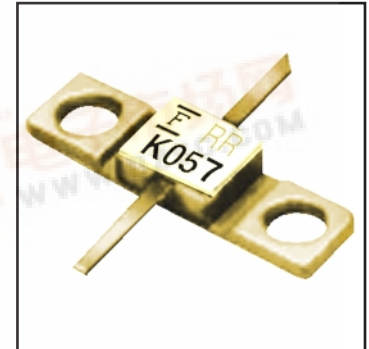


FLK057WG

X, Ku Band Power GaAs FET

FEATURES

- High Output Power: $P_{1dB} = 27.0dBm(Typ.)$
- High Gain: $G_{1dB} = 7.0dB(Typ.)$
- High PAE: $\eta_{add} = 32\%(Typ.)$
- Proven Reliability
- Hermetic Metal/Ceramic Package



DESCRIPTION

The FLK057WG is a power GaAs FET that is designed for general purpose applications in the Ku-Band frequency range as it provides superior power, gain, and efficiency.

Fujitsu's stringent Quality Assurance Program assures the highest reliability and consistent performance.

ABSOLUTE MAXIMUM RATING (Ambient Temperature $T_a=25^\circ C$)

Item	Symbol	Condition	Rating	Unit
Drain-Source Voltage	V_{DS}		15	V
Gate-Source Voltage	V_{GS}		-5	V
Total Power Dissipation	P_T	$T_C = 25^\circ C$	3.75	W
Storage Temperature	T_{stg}		-65 to +175	$^\circ C$
Channel Temperature	T_{ch}		175	$^\circ C$

Fujitsu recommends the following conditions for the reliable operation of GaAs FETs:

1. The drain-source operating voltage (V_{DS}) should not exceed 10 volts.
2. The forward and reverse gate currents should not exceed 4.4 and -0.25 mA respectively with gate resistance of 1000 Ω .
3. The operating channel temperature (T_{ch}) should not exceed 145 $^\circ C$.

ELECTRICAL CHARACTERISTICS (Ambient Temperature $T_a=25^\circ C$)

Item	Symbol	Test Conditions	Limit			Unit
			Min.	Typ.	Max.	
Saturated Drain Current	I_{DSS}	$V_{DS} = 5V, V_{GS} = 0V$	-	200	300	mA
Transconductance	g_m	$V_{DS} = 5V, I_{DS} = 125mA$	-	100	-	mS
Pinch-off Voltage	V_p	$V_{DS} = 5V, I_{DS} = 10mA$	-1.0	-2.0	-3.5	V
Gate Source Breakdown Voltage	V_{GSO}	$I_{GS} = -10\mu A$	-5	-	-	V
Output Power at 1dB G.C.P.	P_{1dB}	$V_{DS} = 10V,$ $I_{DS} = 0.6 I_{DSS} (Typ.),$ $f = 14.5 GHz$	26.0	27.0	-	dBm
Power Gain at 1dB G.C.P.	G_{1dB}		6.0	7.0	-	dB
Power-added Efficiency	η_{add}		-	32	-	%
Output Power at 1dB G.C.P.	P_{1dB}	$V_{DS} = 10V,$ $I_{DS} = 0.6 I_{DSS} (Typ.),$ $f = 12 GHz$	-	27	-	dBm
Power Gain at 1dB G.C.P.	G_{1dB}		-	8	-	dB
Power-added Efficiency	η_{add}		-	34	-	%
Thermal Resistance	R_{th}	Channel to Case	-	20	40	$^\circ C/W$

PDF CASE STYLE: WG

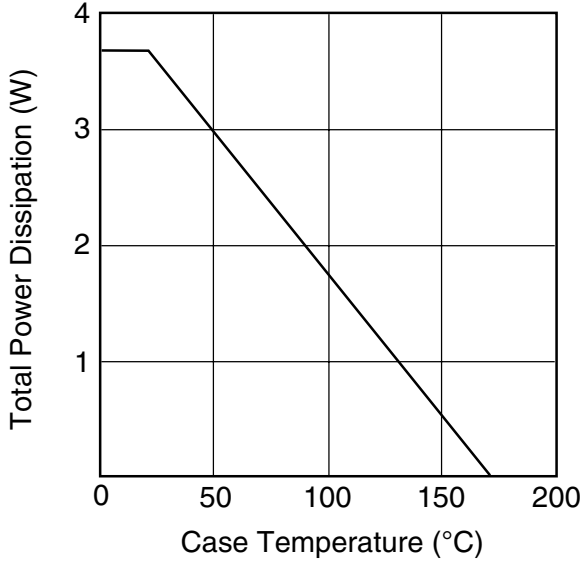
G.C.P.: Gain Compression Point



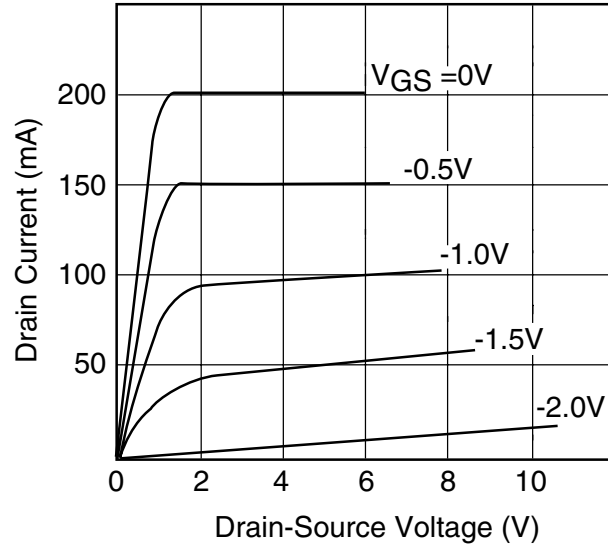
FLK057WG

X, Ku Band Power GaAs FET

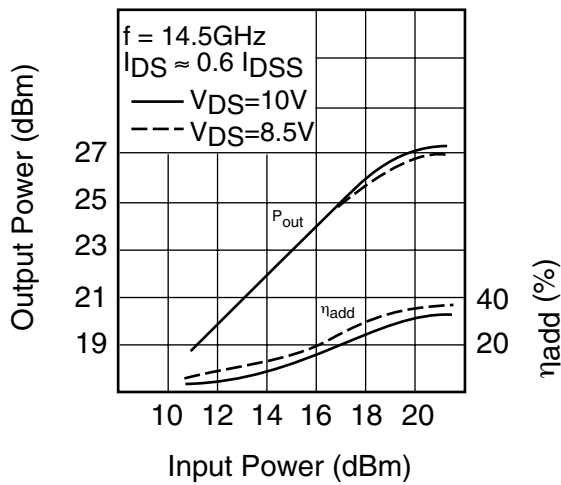
POWER DERATING CURVE



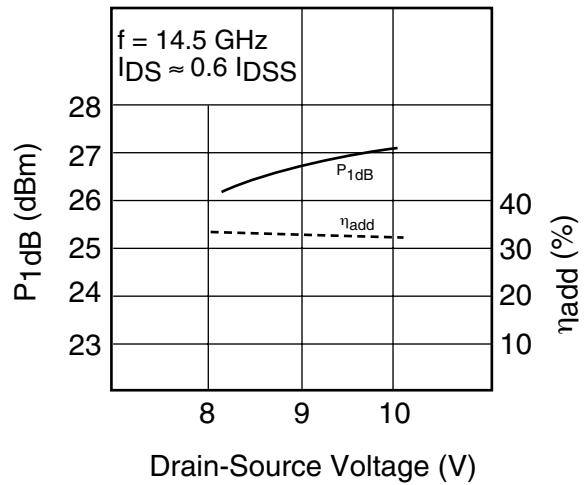
DRAIN CURRENT vs. DRAIN-SOURCE VOLTAGE



OUTPUT POWER vs. INPUT POWER

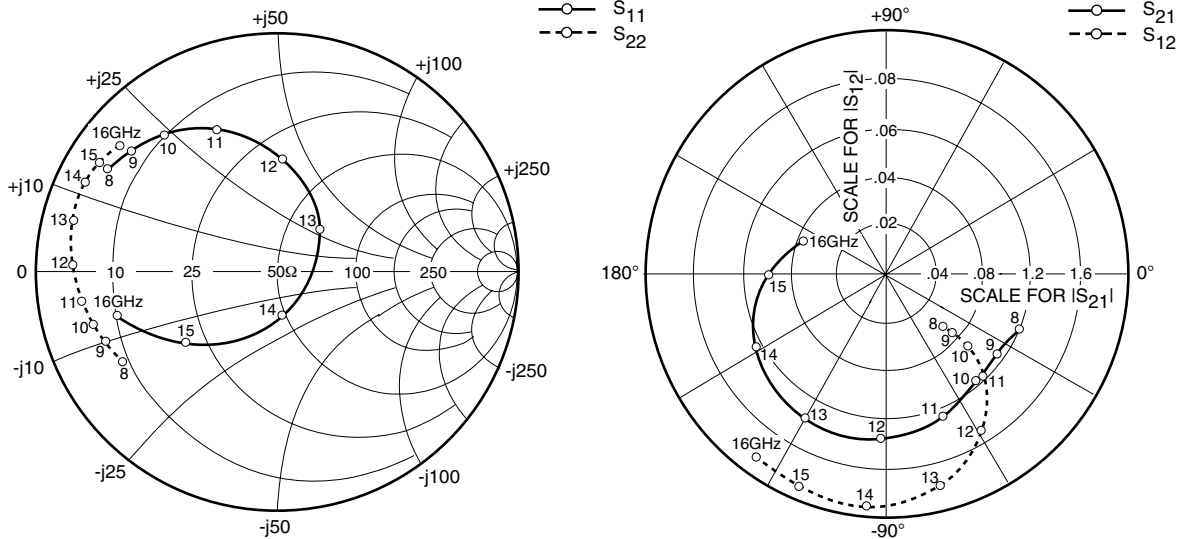


P_{1dB} & η_{add} vs. V_{DS}



FLK057WG

X, Ku Band Power GaAs FET



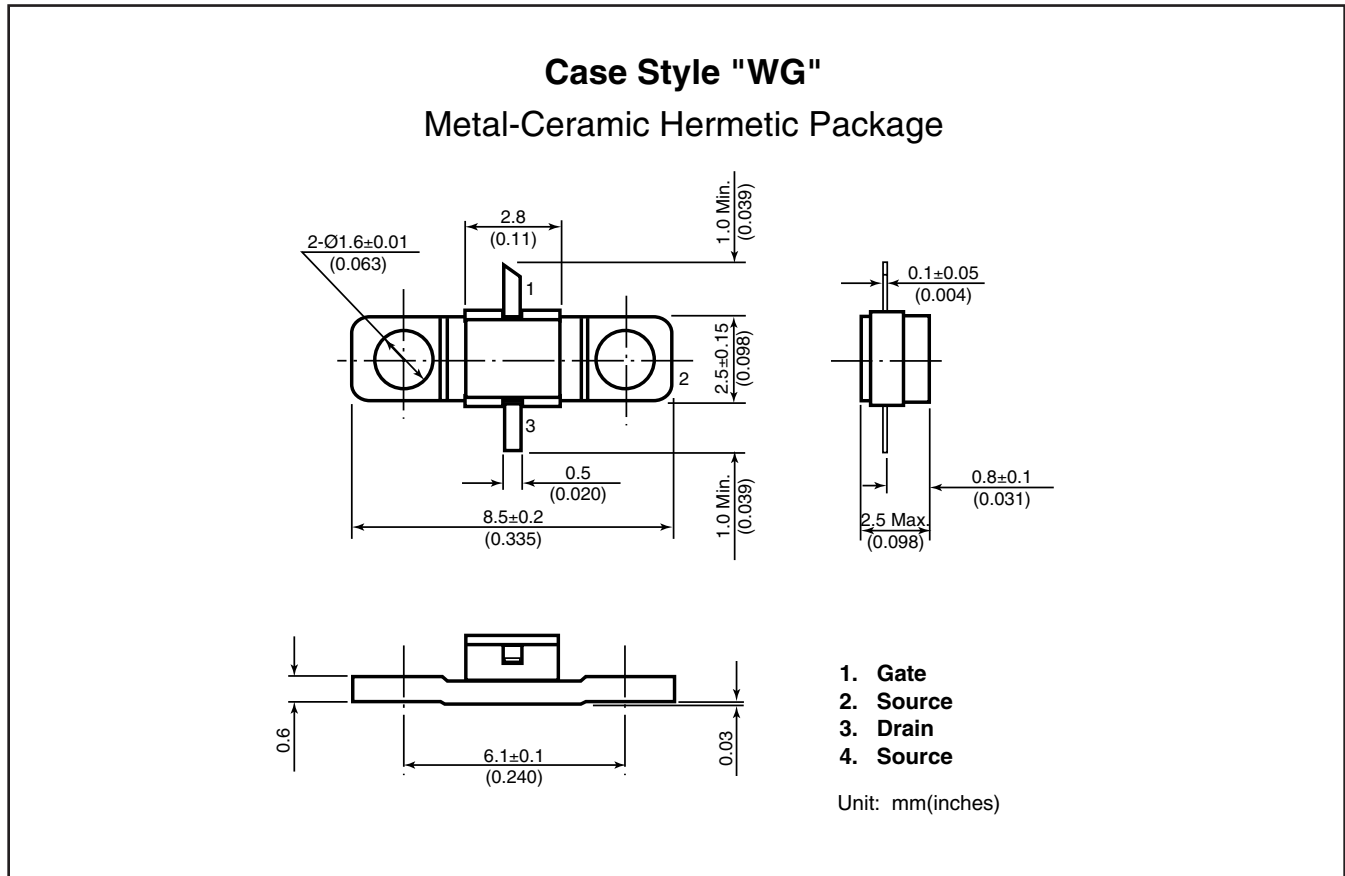
S-PARAMETERS

$V_{DS} = 10V, I_{DS} = 120mA$

FREQUENCY (MHZ)	S11		S21		S12		S22	
	MAG	ANG	MAG	ANG	MAG	ANG	MAG	ANG
500	.973	-47.8	7.249	147.9	.016	60.6	.545	-20.3
1000	.941	-85.1	5.946	121.8	.026	38.1	.519	-38.1
8000	.816	148.5	1.199	-21.6	.033	-41.3	.745	-149.2
9000	.787	139.7	1.125	-35.4	.037	-40.9	.773	-157.3
10000	.740	129.3	1.149	-49.4	.045	-40.5	.796	-163.0
11000	.642	112.7	1.251	-67.7	.058	-46.2	.819	-170.6
12000	.474	86.4	1.346	-91.6	.075	-58.5	.845	178.7
13000	.249	43.8	1.351	-119.6	.089	-75.4	.868	166.3
14000	.189	-83.7	1.227	-150.6	.095	-95.0	.878	155.2
15000	.480	-140.8	.980	-179.3	.093	-112.5	.868	148.7
16000	.689	-163.9	.752	158.6	.092	-125.9	.840	141.4

FLK057WG

X, Ku Band Power GaAs FET



For further information please contact:

FUJITSU COMPOUND SEMICONDUCTOR, INC.

2355 Zanker Rd.

San Jose, CA 95131-1138, U.S.A.

Phone: (408) 232-9500

FAX: (408) 428-9111

www.fcsi.fujitsu.com

FUJITSU MICROELECTRONICS, LTD.

Compound Semiconductor Division

Network House

Norreys Drive

Maidenhead, Berkshire SL6 4FJ

Phone: +44 (0)1628 504800

FAX: +44 (0)1628 504888

CAUTION

Fujitsu Compound Semiconductor Products contain **gallium arsenide (GaAs)** which can be hazardous to the human body and the environment. For safety, observe the following procedures:

- Do not put these products into the mouth.
- Do not alter the form of this product into a gas, powder, or liquid through burning, crushing, or chemical processing as these by-products are dangerous to the human body if inhaled, ingested, or swallowed.
- Observe government laws and company regulations when discarding this product. This product must be discarded in accordance with methods specified by applicable hazardous waste procedures.

Fujitsu Limited reserves the right to change products and specifications without notice. The information does not convey any license under rights of Fujitsu Limited or others.

© 1998 FUJITSU COMPOUND SEMICONDUCTOR, INC.

Printed in U.S.A. FCSI0598M200