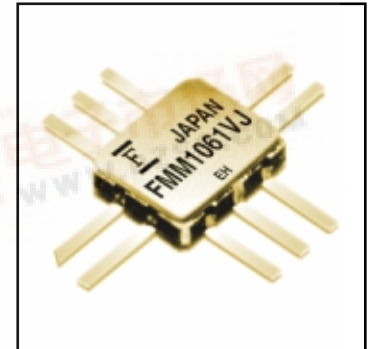


FMM1061VJ

GaAs MMIC

FEATURES

- Operation to 6.0 GHz
- Input Frequency divide by 4, OUT and $\overline{\text{OUT}}$
- -5V (or+5V) DC Single Power Supply
- External 50 ohm Load Driving Capability
- Small 10 pin Hermetic SMT-10 Package (VJ)
- Tape and Reel available



DESCRIPTION

The FMM1061VJ is a GaAs Microwave Static Frequency Divider designed for dividing an input signal by 4 over a frequency range from 2.0 to 6.0 GHz. This part is designed for Microwave Frequency Synthesizer and Phase-Locked Oscillator applications.

Fujitsu's stringent Quality Assurance Program assures the highest reliability and consistent performance.

ABSOLUTE MAXIMUM RATINGS (Ambient Temperature Ta=25°C)

| Parameter | Symbol | Ratings | Unit |
|---------------------|------------------|----------------------|------|
| Supply Voltage | V _{SS} | -7.0 to 0 | V |
| Input Voltage | V _{in} | V _{SS} to 0 | V |
| Input Power | P _{in} | +13.0 | dBm |
| Storage Temperature | T _{stg} | -55 to +125 | °C |
| Power Dissipation | P _D | 1.0 | W |

RECOMMENDED OPERATING CONDITIONS

| Parameter | Symbol | Limit | | | Unit |
|---------------------|-----------------|-------|------|------|------|
| | | Min. | Typ. | Max. | |
| Supply Voltage | V _{SS} | -5.5 | -5.0 | -4.5 | V |
| Ambient Temperature | T _a | -30 | - | +70 | °C |

ELECTRICAL CHARACTERISTICS (Ambient Temperature Ta = 25°C, V_{SS} = -5.0V)

| Parameter | Symbol | Condition | Limit | | | Unit |
|----------------------|-----------------|---------------------------|-------|------|------|------|
| | | | Min. | Typ. | Max. | |
| Power Supply Current | I _{SS} | | - | 100 | - | mA |
| Operating Frequency | f _{in} | P _{in} = 0~10dBm | 2.0 | - | 6.0 | GHz |
| Output Power | P _o | | 0 | 4 | - | dBm |

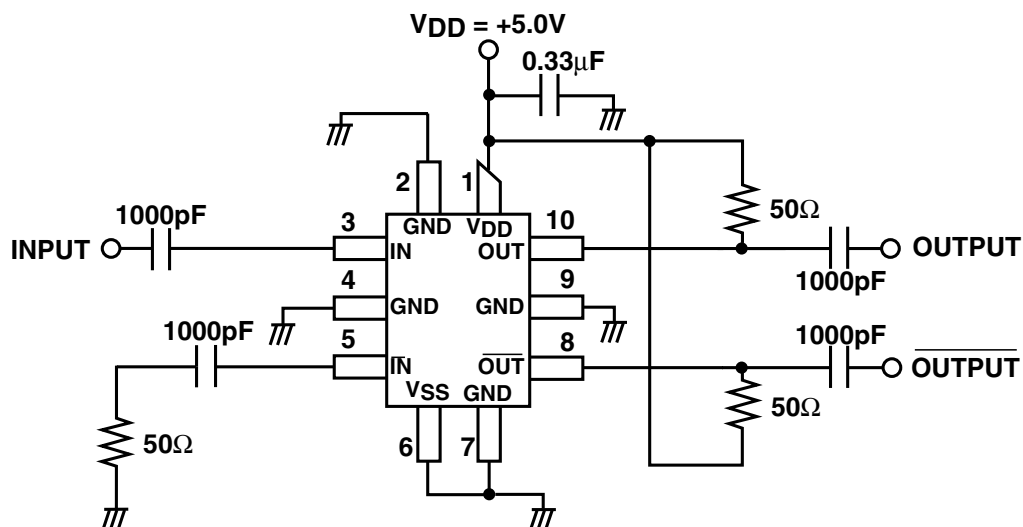
CASE STYLE: VJ

FMM1061VJ

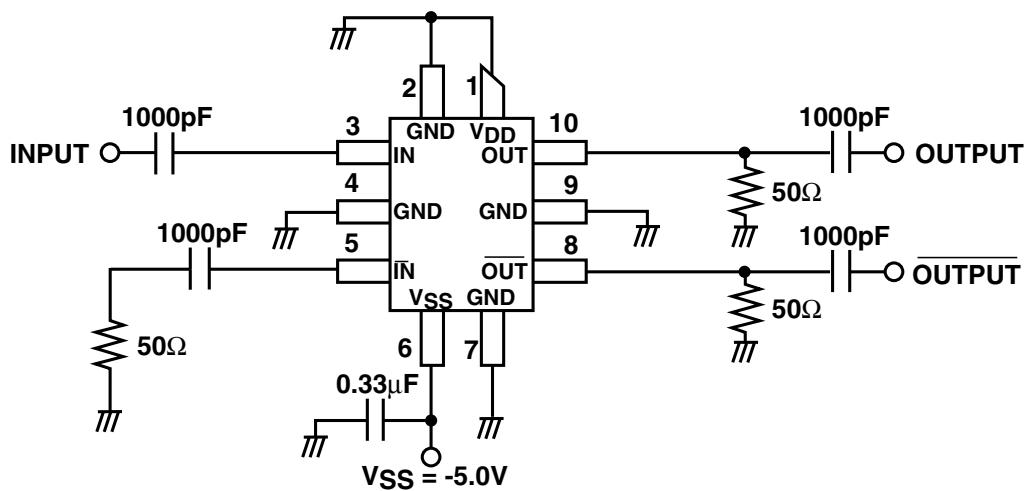
GaAs MMIC

Test Circuit

Positive Supply Voltage VDD = +5V Operation Circuit



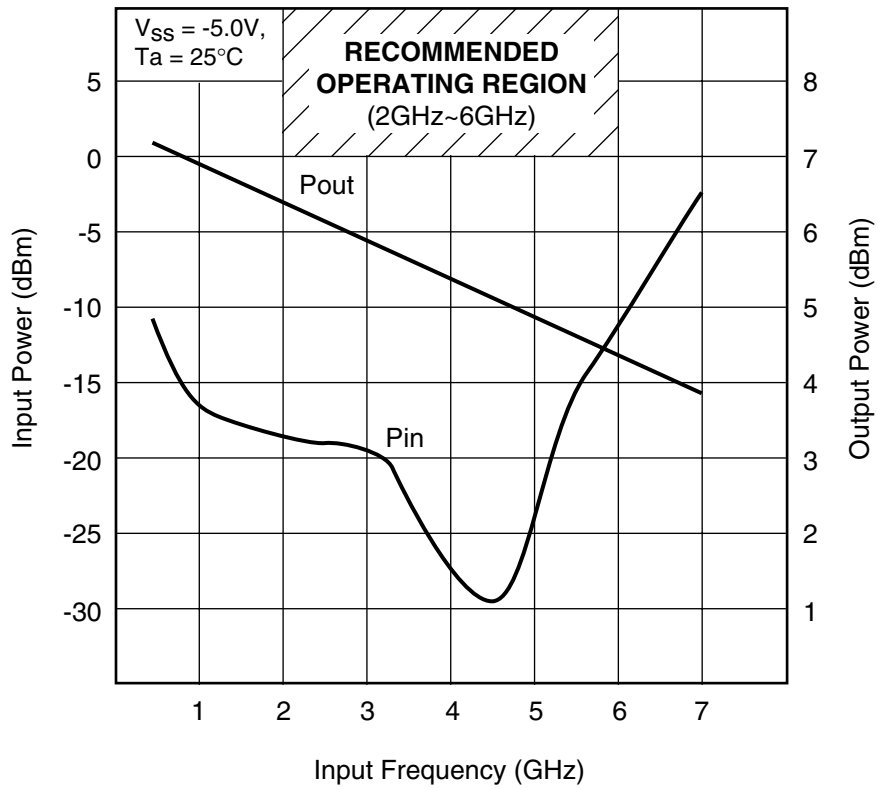
Negative Supply Voltage VSS = -5V Operation Circuit



FMM1061VJ

GaAs MMIC

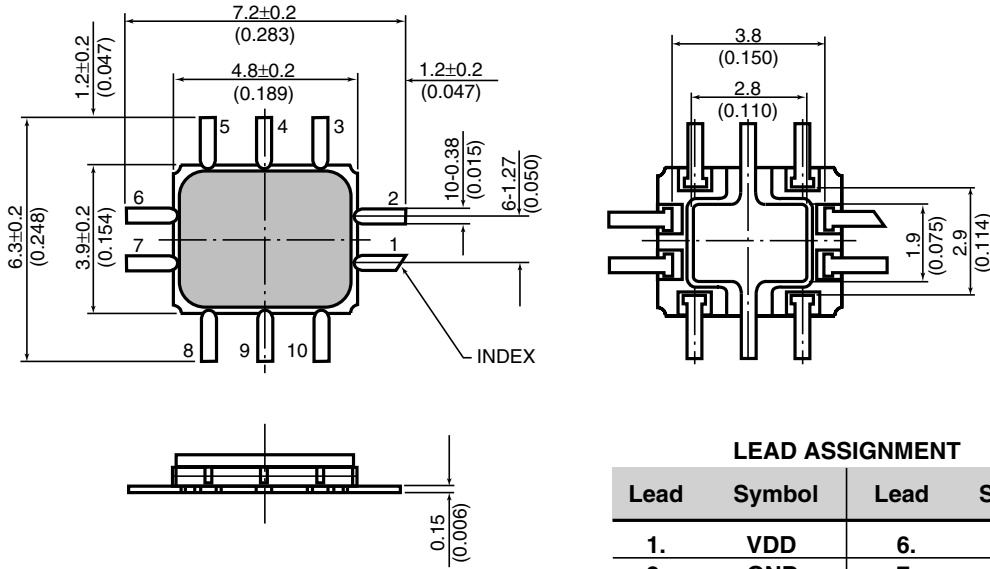
INPUT SENSITIVITY CHARACTERISTICS



FMM1061VJ

GaAs MMIC

Case Style "VJ"



LEAD ASSIGNMENT

| Lead | Symbol | Lead | Symbol |
|------|--------|------|--------|
| 1. | VDD | 6. | Vss |
| 2. | GND | 7. | GND |
| 3. | IN | 8. | OUT |
| 4. | GND | 9. | GND |
| 5. | IN | 10. | OUT |

Unit: mm(inches)

For further information please contact:

FUJITSU COMPOUND SEMICONDUCTOR, INC.

2355 Zanker Rd.

San Jose, CA 95131-1138, U.S.A.

Phone: (408) 232-9500

FAX: (408) 428-9111

www.fcsi.fujitsu.com

FUJITSU MICROELECTRONICS EUROPE, GmbH

Quantum Devices Division

Network House

Norreys Drive

Maidenhead, Berkshire SL6 4FJ

Phone:+44 (0)1628 504800

FAX:+44 (0)1628 504888

CAUTION

Fujitsu Compound Semiconductor Products contain **gallium arsenide (GaAs)** which can be hazardous to the human body and the environment. For safety, observe the following procedures:

- Do not put these products into the mouth.
- Do not alter the form of this product into a gas, powder, or liquid through burning, crushing, or chemical processing as these by-products are dangerous to the human body if inhaled, ingested, or swallowed.
- Observe government laws and company regulations when discarding this product. This product must be discarded in accordance with methods specified by applicable hazardous waste procedures.

Fujitsu Limited reserves the right to change products and specifications without notice. The information does not convey any license under rights of Fujitsu Limited or others.

© 1998 FUJITSU COMPOUND SEMICONDUCTOR, INC.

Printed in U.S.A. FCSI0598M200