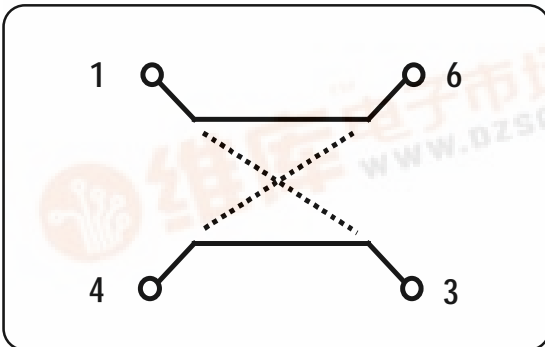


HITACHI METALS

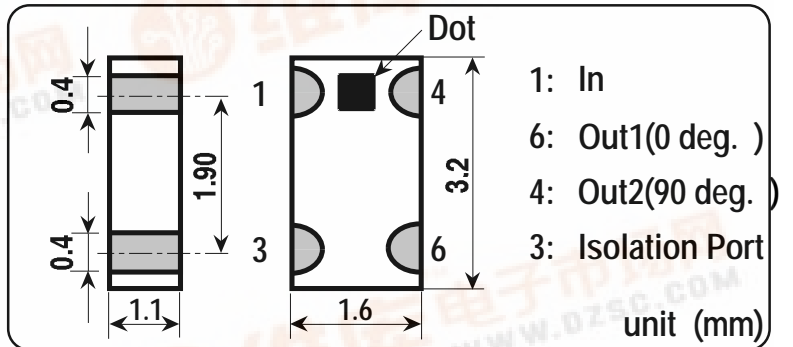
450 MHz Band Chip Multilayer 90deg. / 3dB Splitter

Model No. FSLC-045P

Equivalent Circuits



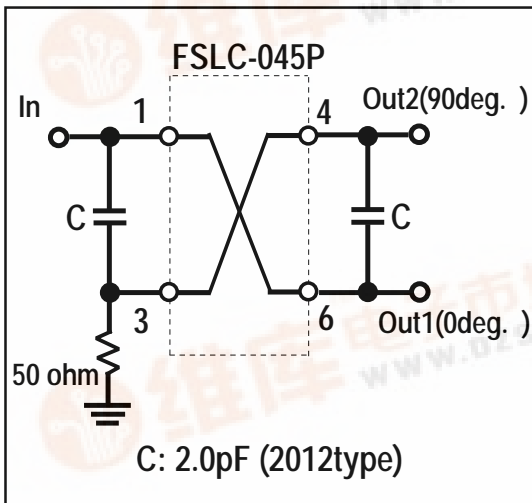
Shape & Size



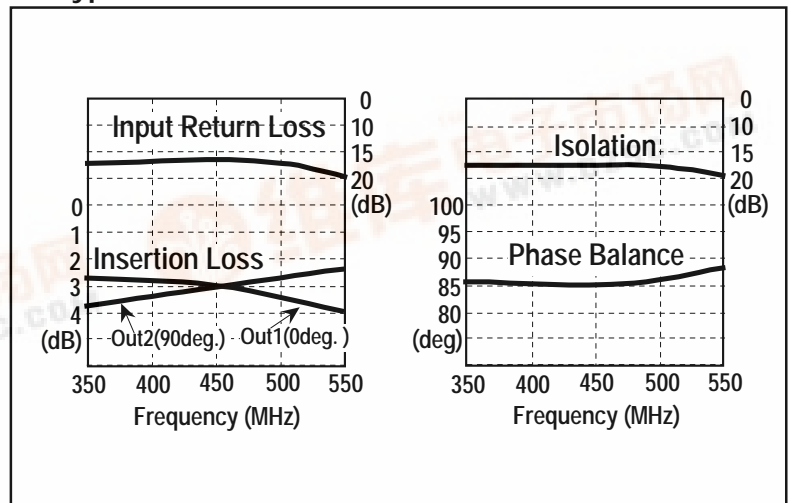
Specifications

Frequency Range(MHz)	Insertion Loss	Phase Balance	Return Loss	Isolation	Handling Power	Temperature Range
440-460	4.0dB Max including Splitting Loss	90 +/-10deg.	12dB Min.	12dB Min.	5W Max.	-35 to +85 deg.C

Measurement Circuit



Typical Data



LC-FSLC-045P-0407A