

[查询FSLH-S170C供应商](#)

[捷多邦, 专业PCB打样工厂, 24小时加急出货](#)

2012 Size

1500/1900 MHz

Chip Multilayer Splitter/Combiner

FSLH-S170C

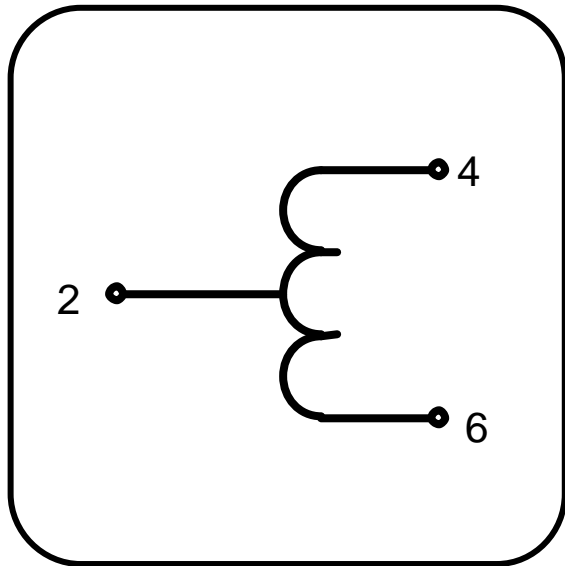


All the technical data and information contained herein are subject to change without notice.

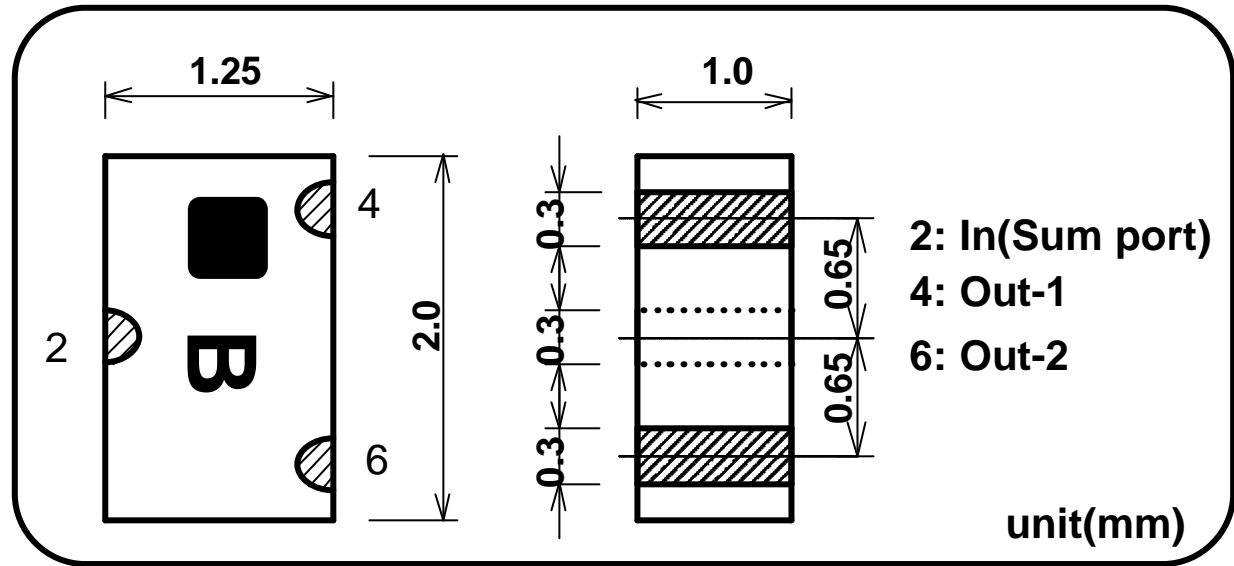


LH-FSLH-S170C-0406A

## Equivalent Circuits



## Shape & Size



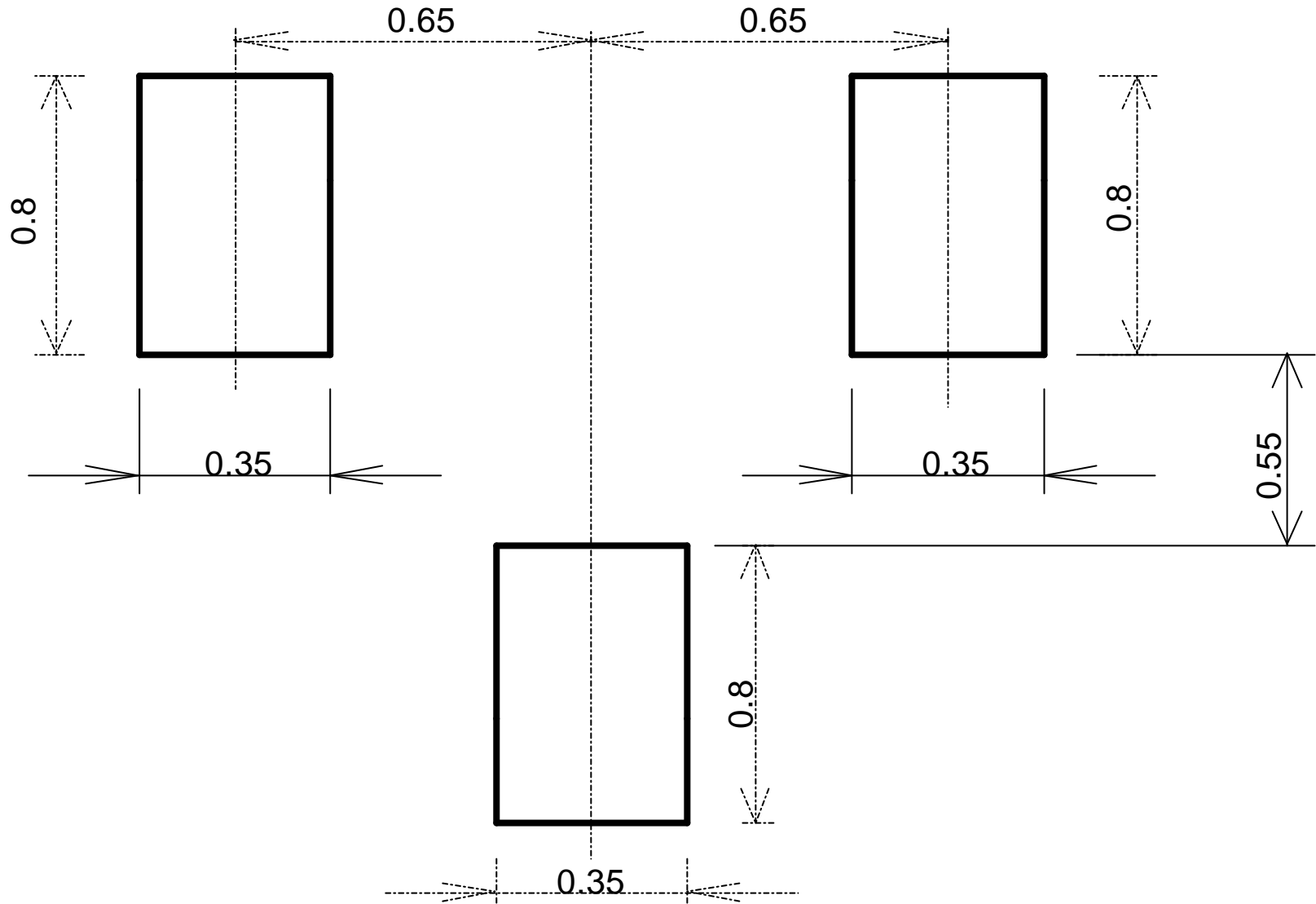
## Specifications

Part Name: FSLH-S170C

Frequency Range	Matching Capacitor	Insertion Loss *1	Isolation	Return Loss	Handling Power	Temperature Range
1500-1900MHz	1.0pF	1dB Max. (0.20dB Typ.)	12dB Min. (20dB Typ.)	10dB Min. (20dB Typ.)	1W Max. (CW)	-35 to +85 deg.C

\*1 Not include splitting loss (3dB)

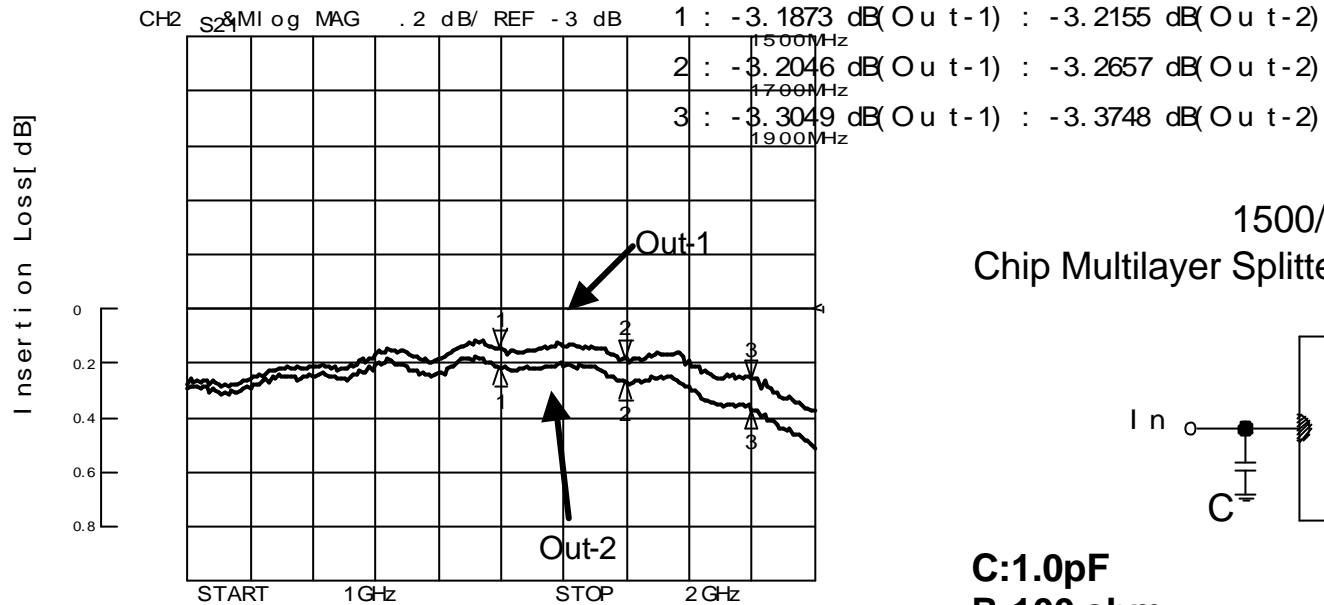
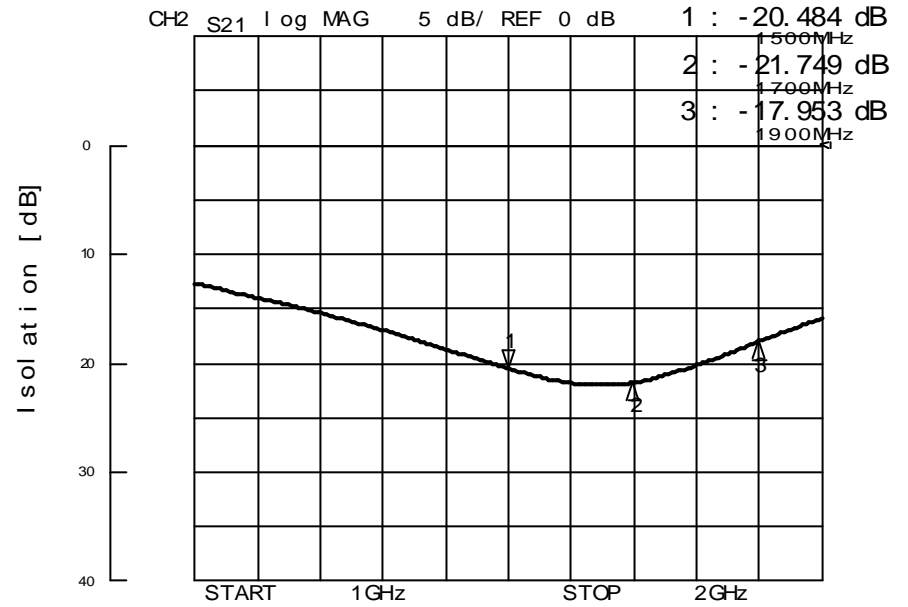
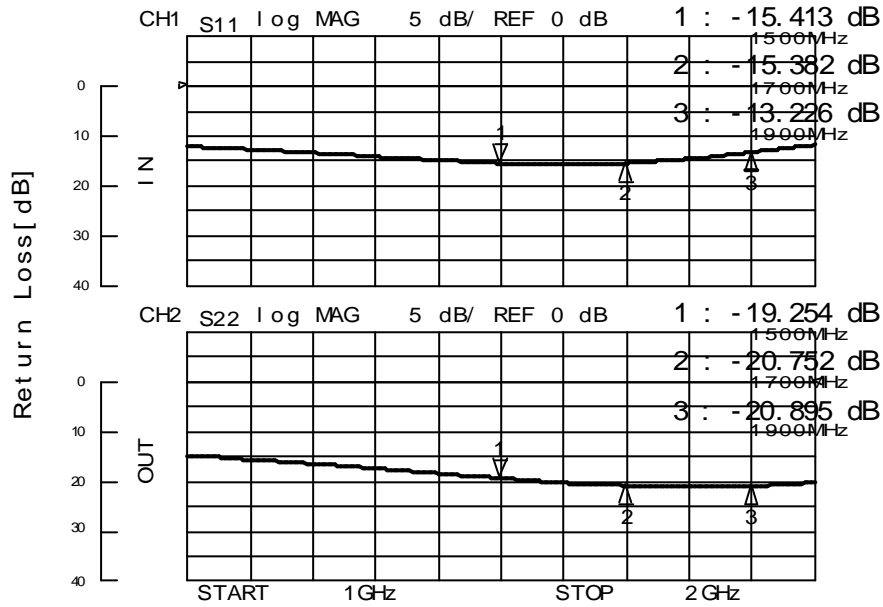
# FOOT PATTERN



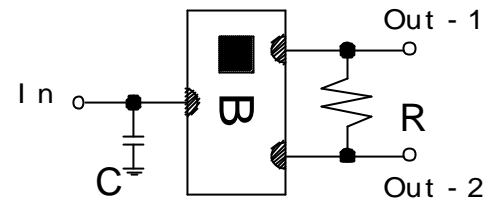
All the technical data and information contained herein are subject to change without notice.

LH-FSLH-S170C-0406A

# FSLH-S170C Sample Data



1500/1900 MHz  
Chip Multilayer Splitter/Combiner "FSLH-S170C"



**C:1.0pF**  
**R:100 ohm**

**LH-FSLH-S170C-0406A**