

FSU02LG

General Purpose GaAs FET

FEATURES

- High Output Power: $P_{1dB} = 23.0\text{dBm}$ (Typ.)@2GHz
- High Associated Gain: $G_{1dB} = 17.0\text{dB}$ (Typ.)@2GHz
- Low Noise Figure: $NF=1.5\text{dB}$ (Typ.)@f=2GHz
- Low Bias Conditions: $V_{DS}=3\text{V}$, 20mA
- Cost Effective Hermetic Microstrip Package
- Tape and Reel Available



DESCRIPTION

The FSU02LG is a high performance, low noise, GaAs FET designed for PCS/PCN applications as a driver in the 2GHz band.

Fujitsu's stringent Quality Assurance Program assures the highest reliability and consistent performance.

ABSOLUTE MAXIMUM RATING (Ambient Temperature $T_a=25^\circ\text{C}$)

Item	Symbol	Condition	Rating	Unit
Drain-Source Voltage	V_{DS}		12	V
Gate-Source Voltage	V_{GS}		-5	V
Total Power Dissipation	P_{tot}	Note	750	mW
Storage Temperature	T_{stg}		-65 to +175	$^\circ\text{C}$
Channel Temperature	T_{ch}		175	$^\circ\text{C}$

Note: Mounted on Al_2O_3 board (30 x 30 x 0.65mm)

Fujitsu recommends the following conditions for the reliable operation of GaAs FETs:

1. The drain-source operating voltage (V_{DS}) should not exceed 6 volts.
2. The forward and reverse gate currents should not exceed 1.4 and -0.2 mA respectively with gate resistance of 2000 Ω .
3. The operating channel temperature (T_{ch}) should not exceed 145 $^\circ\text{C}$.

ELECTRICAL CHARACTERISTICS (Ambient Temperature $T_a=25^\circ\text{C}$)

Item	Symbol	Test Conditions	Limit			Unit
			Min.	Typ.	Max.	
Saturated Drain Current	I_{DSS}	$V_{DS} = 3\text{V}$, $V_{GS} = 0\text{V}$	80	110	150	mA
Transconductance	g_m	$V_{DS} = 3\text{V}$, $I_{DS} = 54\text{mA}$	-	100	-	mS
Pinch-off Voltage	V_p	$V_{DS} = 3\text{V}$, $I_{DS} = 5.4\text{mA}$	-0.7	-1.2	-1.7	V
Gate Source Breakdown Voltage	V_{GSO}	$I_{GS} = -5.4\mu\text{A}$	-5	-	-	V
Output Power at 1dB Gain Compression Point	P_{1dB}	$V_{DS} = 6\text{V}$ $I_{DS}(\text{DC}) = 80\text{mA}$ $f = 2\text{GHz}$	22.0	23.0	-	dBm
Power Gain at 1dB Gain Compression Point	G_{1dB}		16.0	17.0	-	dB
Noise Figure	NF	$V_{DS} = 3\text{V}$ $I_{DS} = 20\text{mA}$ $f = 2\text{GHz}$	-	1.5	-	dB
Associated Gain	G_{as}		-	17.5	-	dB
Thermal Resistance	R_{th}	Channel to Case	-	150	200	$^\circ\text{C}/\text{W}$

AVAILABLE CASE STYLES: LG

Note: The RF parameters are measured on a lot basis by sample testing at an AQL = 0.1%, Level-II inspection. Any lot failure shall be 100% retested.

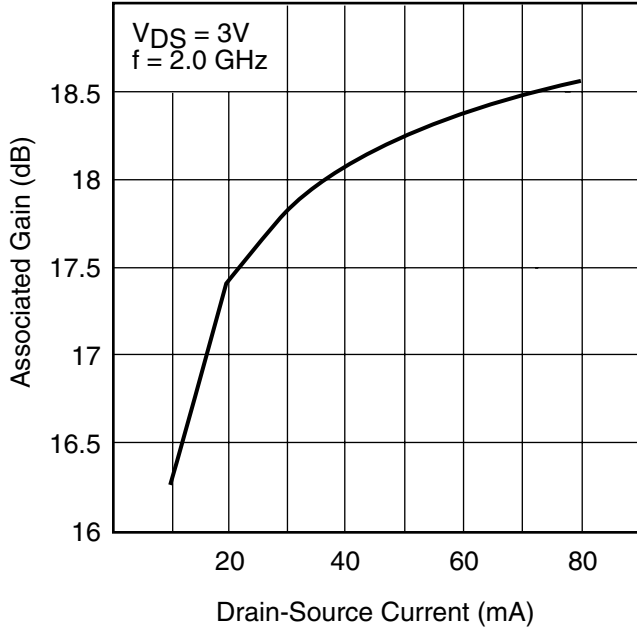
G.C.P.: Gain Compression Point



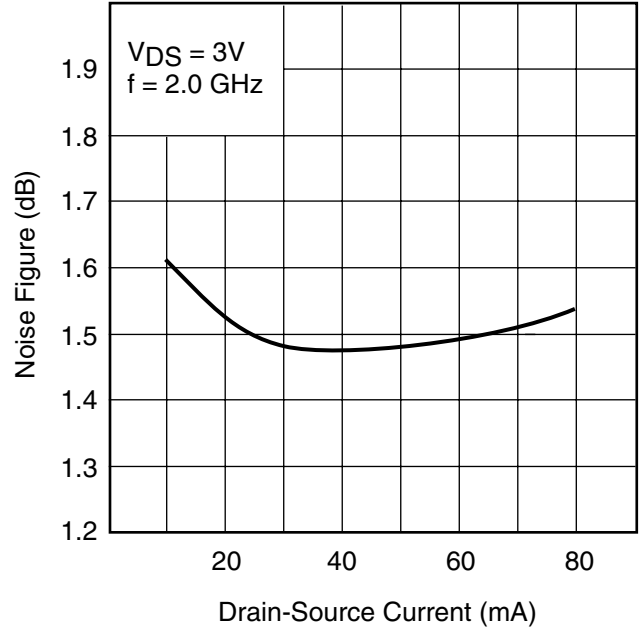
FSU02LG

General Purpose GaAs FET

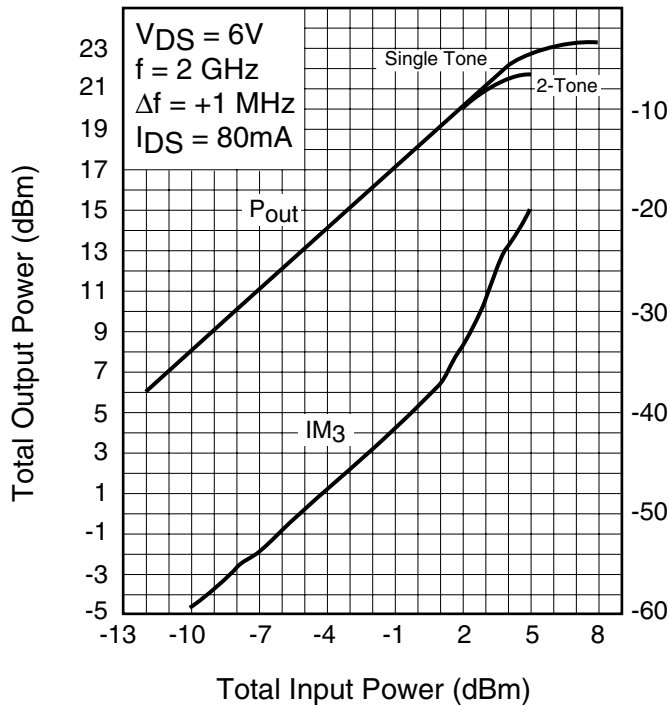
ASSOCIATED GAIN vs. DRAIN-SOURCE CURRENT



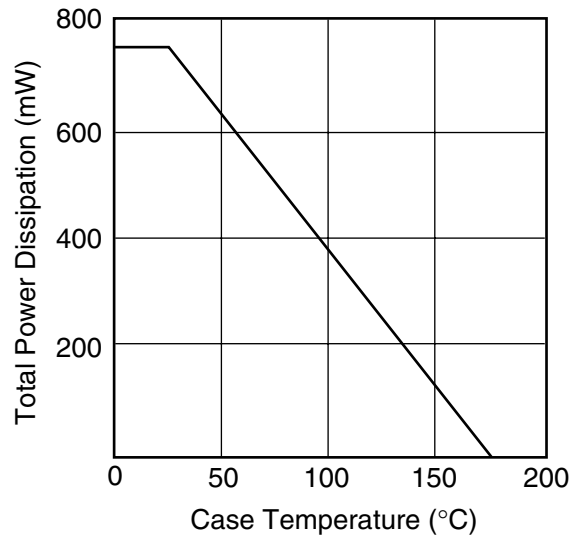
NOISE FIGURE vs. DRAIN-SOURCE CURRENT



OUTPUT POWER & IM₃ vs. INPUT POWER

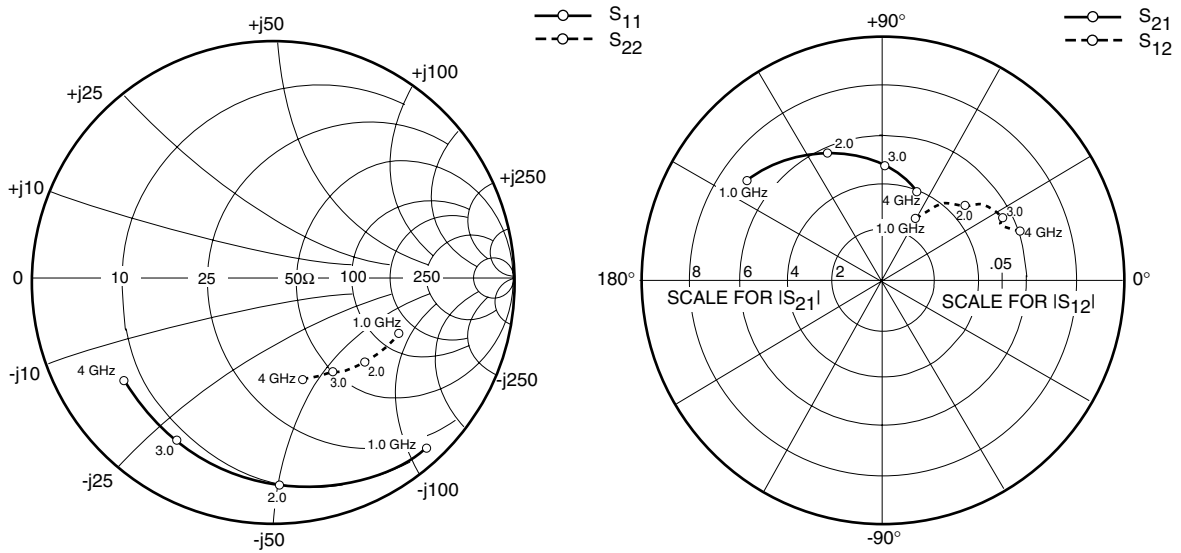


POWER DERATING CURVE



FSU02LG

General Purpose GaAs FET



S-PARAMETERS

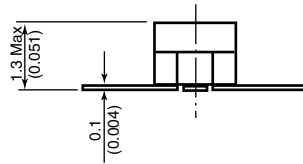
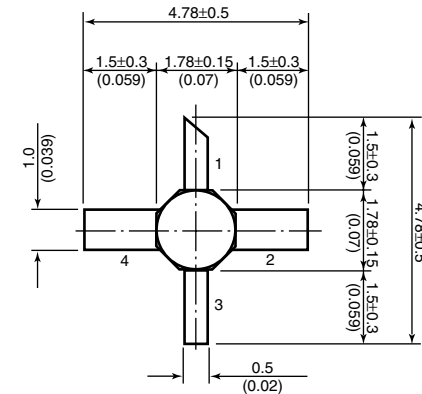
$V_{DS} = 6V, I_{DS} = 80mA$

FREQUENCY (GHZ)	S11		S21		S12		S22	
	MAG	ANG	MAG	ANG	MAG	ANG	MAG	ANG
400	.993	-19.6	7.407	165.2	.012	76.3	.593	-9.4
600	.982	-29.3	7.259	157.9	.018	74.8	.589	-14.4
800	.971	-38.8	7.115	150.8	.023	68.3	.580	-19.2
1000	.952	-47.9	6.925	144.0	.029	62.7	.570	-23.6
1200	.938	-56.5	6.704	137.3	.032	59.1	.560	-27.8
1400	.921	-65.0	6.450	130.9	.037	54.8	.547	-31.7
1600	.899	-73.0	6.198	125.0	.041	51.3	.536	-36.5
1800	.880	-80.7	5.954	119.2	.043	47.6	.524	-39.3
2000	.836	-88.2	5.722	113.6	.046	42.2	.513	-42.9
2200	.843	-95.1	5.503	108.4	.048	40.1	.500	-46.3
2400	.829	-101.7	5.270	103.2	.051	38.2	.490	-49.7
2600	.818	-108.1	5.054	98.3	.053	34.5	.480	-53.3
2800	.802	-114.5	4.836	93.5	.055	30.0	.465	-56.5
3000	.781	-120.2	4.608	89.4	.054	27.1	.453	-58.2
3200	.774	-125.1	4.449	85.2	.055	27.6	.452	-60.8
3400	.766	-130.5	4.292	81.0	.055	23.5	.448	-64.0
3600	.758	-135.5	4.135	77.0	.056	23.0	.443	-66.8
3800	.753	-140.5	3.985	73.0	.057	21.5	.438	-70.0
4000	.747	-145.0	3.849	69.0	.059	20.4	.433	-73.2

FSU02LG

General Purpose GaAs FET

Case Style "LG" Metal-Ceramic Package



Gold Plated Leads

1. Gate
2. Source
3. Drain
4. Source

Unit: mm(inches)

For further information please contact:

FUJITSU COMPOUND SEMICONDUCTOR, INC.

2355 Zanker Rd.

San Jose, CA 95131-1138, U.S.A.

Phone: (408) 232-9500

FAX: (408) 428-9111

www.fcsi.fujitsu.com

FUJITSU MICROELECTRONICS EUROPE, GmbH

Quantum Devices Division

Network House

Norreys Drive

Maidenhead, Berkshire SL6 4FJ

Phone: +44 (0)1628 504800

FAX: +44 (0)1628 504888

CAUTION

Fujitsu Compound Semiconductor Products contain **gallium arsenide (GaAs)** which can be hazardous to the human body and the environment. For safety, observe the following procedures:

- Do not put these products into the mouth.
- Do not alter the form of this product into a gas, powder, or liquid through burning, crushing, or chemical processing as these by-products are dangerous to the human body if inhaled, ingested, or swallowed.
- Observe government laws and company regulations when discarding this product. This product must be discarded in accordance with methods specified by applicable hazardous waste procedures.

Fujitsu Limited reserves the right to change products and specifications without notice. The information does not convey any license under rights of Fujitsu Limited or others.

© 1998 FUJITSU COMPOUND SEMICONDUCTOR, INC.

Printed in U.S.A. FCSI0598M200

 FUJITSU