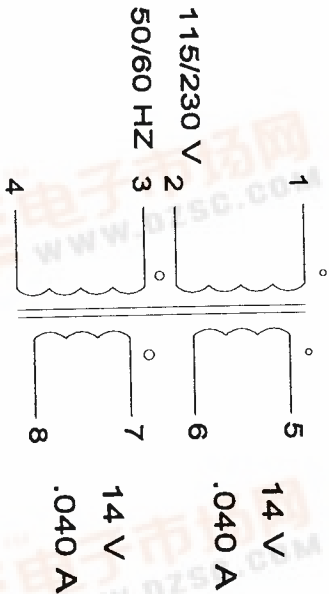
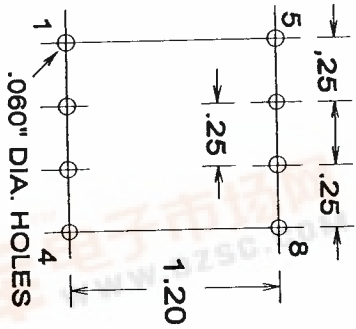
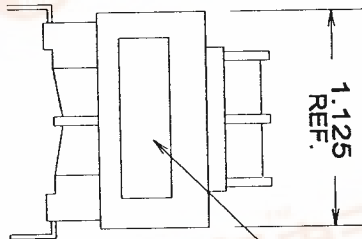
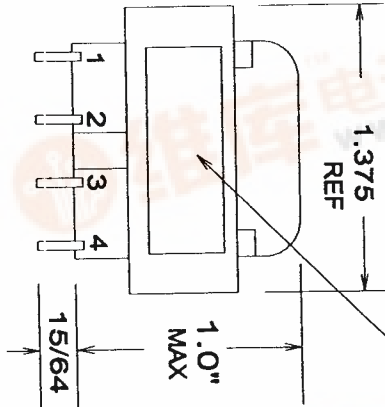


TOLERANCE UNLESS SPECIFIED = .XXX = +/- .005 .XX = +/- .015 FRACTIONS = +/- .032
 FS28-040.DC2
 YYWW = YEAR, WEEK
 XXX = SITECODE



EIA-17-YYWW
 XXX B10



PRODUCTION TESTS

DC	1-2 = 1900 MAX
RESISTANCE IN OHMS	3-4 = 2650 MAX 5-6 = 55 NOM 7-8 = 72 NOM

MAX EXCITATION CURRENT = 0.005 A
 APPLY = 230V 60 HZ, 1-4, TIE 2+3
 OPEN CIRCUIT VOLTAGE TEST:
 230V 60 HZ, 1-4, TIE 2+3
 1-2 = 114.1 TO 115.1V
 3-4 = 114.9 TO 115.9V
 EACH SEC = 18.4 TO 19.4 V

HIPOT: 2500V PRI'S TO SEC'S
 1500V PRI'S, SEC'S TO CORE
 500V P.P, S-S
 CONTINUITY: 100% PRI
 IMPREGNATION NOTES = 2 HOUR PREHEAT
 PINS MUST BE FREE OF IMPREG.

FINAL ASSEMBLY NOTES

METHOD 1 X 1, KEEPER (1)
 KEEPER OPPOSITE PIN SIDE

MARKING SEE LABEL DETAIL ABOVE

PART NO.: FS28-040

