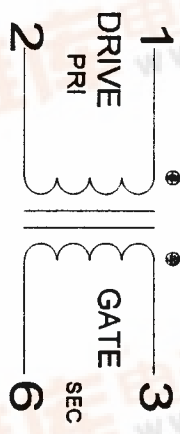
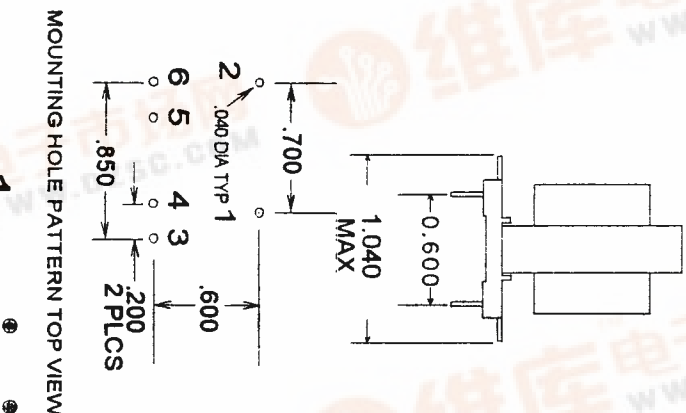
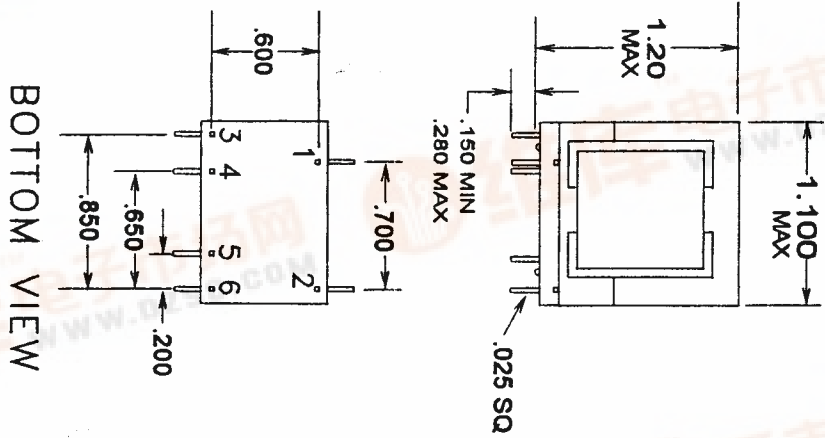


TOLERANCE UNLESS SPECIFIED = .XXX = +/- .005 .XX = +/- .015 FRACTIONS = +/- .032
GDE25-5.DC2



PRODUCTION TESTS

| | |
|------------|---------------------|
| DC | TURN'S RATIO = 100% |
| RESISTANCE | (1 - 2) .350 MAX |
| IN OHMS | (3 - 6) .850 MAX |

APPLY = .1V @ 10 KHz PIN (1 - 2)

INDUCTANCE = 680 uHYS MIN
 LEAKAGE INDUCTANCE = 3.50 uHYS MAX 1 TO 2
 WITH 3 TO 6 SHORTED

HIPOT = 4125 VRMS 1 SEC MIN PRI TO SEC
 2750 VRMS 1 SEC MIN SEC TO CORE
 1375 VRMS 1 SEC MIN PRI TO CORE

FINAL ASSEMBLY NOTES

MagneTek

PART NO. GDE25-5