

GENNUM



GF9331 HDTV/SDTV Motion Co-processor

GF9331 Data Sheet

Features

- support for 10/8-bit HDTV/SDTV input video signals
- seamless interface to Gennum's GF9330 high performance de-interlacer through a filter control bus
- multi-directional edge detection and control
- support for multiplexed and non-multiplexed Y/C video
- 3-field vertical motion detection and control
- fully configurable to support custom video modes
- ability to extract HVF information from embedded TRS
- seamless interface to popular ADCs and NTSC/PAL decoders
- user configuration through a dedicated host interface, supporting parallel and serial interfaces
- 5V tolerant inputs
- 3.3V supply for device I/O and 2.5V for core logic

Applications

- HDTV Up/Down Converters
- Production Equipment
- Video Walls
- Projection Systems
- Plasma Displays
- LCD TVs
- Home Theatre Systems
- HD DVD Players

Device Overview

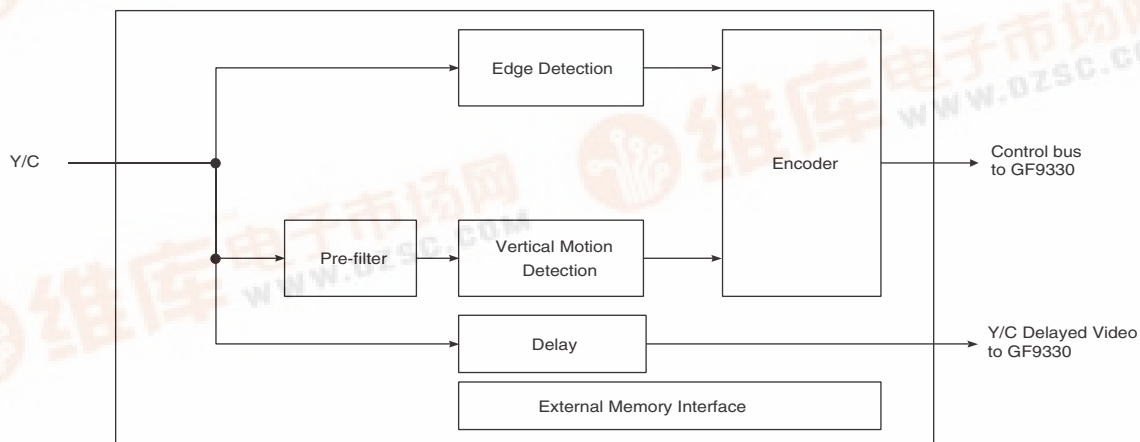
The GF9331 is a high performance motion co-processor that is used in conjunction with Gennum's GF9330 HDTV/SDTV 10-bit De-interlacer. Together, the GF9331 and the GF9330 provide 10-bit broadcast quality de-interlacing for standard and high-definition video signals up to 1080p60.

Although the GF9330 can fully function as a stand alone de-interlacer, the GF9331 provides added features in the form of a filter selection control bus that enables multi-directional edge and adaptive 3-field vertical motion detection. Edge detection and interpolation removes the edge artifacts that tend to occur while de-interlacing on shallow horizontal edges while vertical motion detection reduces motion artifacts.

Filter selection controls are sent to the GF9330 on a pixel-by-pixel basis. The GF9331 integrates all the necessary line delays for the motion and edge detectors. The GF9331 also provides seamless interfaces to off-chip SDRAMs that form the required field delays.

Ordering Information

Part Number	Package	Temp. Range
GF9331-CBP	328 PIN BGA	0°C to 70°C



Block Diagram





Contents

Features	1
Applications	1
Device Overview	1
Ordering Information	1
1. Pin Descriptions	3
2. Electrical Characteristics	7
2.1 5V Tolerant Inputs	7
2.2 ESD Tolerance	7
2.3 3.3V Supply for Device I/O and 2.5V for Core Logic	7
3. Detailed Device Description	10
3.1 Input Data Formats	10
3.2 Input Synchronization	12
3.2.1 Support for Both 8-bit and 10-bit Input Data	12
3.2.2 Generic Input Format Signalling	12
3.3 Seamless Interface to the GF9330 High Performance De-Interlacer for Directional Filter Control	15
3.4 Seamless Interface to External SDRAMs	16
3.5 Host Interface	16
3.5.1 Host Interface Serial Mode	17
3.5.2 Host Interface Parallel Mode	20
3.5.3 Control Register Definitions	23
3.6 Closed Captioning	25
3.7 $\overline{\text{RESET}}$	25
3.8 Modes of Operation	25
3.8.1 Motion Processing Mode (MODE=1)	26
3.8.2 Disabled Mode (MODE=0)	26
3.9 Processing of Input Formats	26
3.10 Vertical Motion Detection	28
3.10.1 Vertical Motion Feature Control	28
3.11 Edge Direction Detection	28
3.11.1 Edge Direction Detection Feature Control	29
3.12 Video Output	29
3.13 Processing Latency	29
4. Package Dimensions	30
5. Revision History	31



Table 1-1: Pin Descriptions

Symbol	Pin Grid	Type	Description
$\overline{\text{RESET}}$	A1	I	Active low, asynchronous $\overline{\text{RESET}}$. Resets all internal logic to default conditions. Should be applied on power up.
VCLK_IN	F1	I	Video input clock. When the input is SDTV the input clock will be 27, 36, 54 or 72MHz. When the input format is HDTV, the input clock will be 74.25 or 74.25/1.001MHz.
MEMCLK_IN	H1	I	Memory clock for SDRAM operation when VCLK_IN > 36MHz. 90MHz input (supplied by an off-chip crystal oscillator).
Y_IN[9:0]	B1, C1, C2, C3, D1, D2, D3, E1, E2, E3	I	8/10-bit input data bus for separate luminance or multiplexed luminance and colour difference video data. When supplying 8-bit data to the GF9331, Y_IN[1:0] will be set LOW and the 8-bit data supplied to Y_IN[9:2].
C_IN[9:0]	J3, J4, K1, K2, K3, K4, L4, L3, L2, L1	I	8/10-bit input data bus for colour difference video data. When supplying 8-bit data to the GF9331, C_IN[1:0] will be set LOW and the 8-bit data supplied to C_IN[9:2].
F_IN	N2	I	Video timing control. F_IN identifies the ODD and EVEN fields in the incoming video signal. F_IN will be LOW in Field 1 and HIGH in Field 2.
V_IN	N3	I	Video timing control. V_IN represents the vertical blanking signal associated with the incoming video signal. V_IN is HIGH during the vertical blanking interval and LOW during active video.
H_IN	N4	I	Video timing control. H_IN represents the horizontal blanking signal associated with the incoming video signal. H_IN is HIGH during horizontal blanking and LOW during active video.
FVH_EN	N1	I	Control signal input. When HIGH, the F_IN, V_IN, and H_IN input pins will be used for video data signalling. When LOW, embedded TRS's will be detected for video data signalling.
VM_MODE	M2	I	Control signal input. When HIGH, the vertical motion detection is enabled.
ED_MODE	M1	I	Control signal input. When HIGH, the edge direction detection is enabled.
STD[4:0]	G2, G3, G4, H2, H3	I	Video format definition. Defines the video standard when operating without the host interface. See Table 3-1: Encoding of STD[4:0] for Selecting Input Data Format . STD[4:0] is read into the device on a falling transition of HOST_EN or after a RESET.
MODE	F3	I	Operating mode selection. When HIGH, the GF9331 motion co-processing is enabled. When LOW, the GF9331 motion co-processing is bypassed. See Modes of Operation . MODE is read into the device on a falling transition of HOST_EN or after a RESET.
HOST_EN	E4	I	Host interface enable. When set HIGH, the GF9331 is configured through the host interface. When set LOW, the GF9331 is manually configured via input pins. These values are loaded in on the falling transition of HOST_EN.
SER_MD	G1	I	Host interface mode selection. Enables serial mode operation when HIGH. Enables parallel mode operation when LOW.
$\overline{\text{CS}}$	P2	I	Functions as an active low chip select input for host interface parallel mode operation. Functions as a serial clock input for host interface serial mode operation.
DAT_IO[7:0]	R4, R3, R2, R1, T4, T3, T2, T1	I/O	Host interface bi-directional data bus for parallel mode. In serial mode, DAT_IO[7] serves as the serial data output pin and DAT_IO[0] serves as the serial data input pin.



Table 1-1: Pin Descriptions (Continued)

Symbol	Pin Grid	Type	Description
R_W	P3	I	Host interface Read/Write control for parallel mode. A read cycle is defined when HIGH, a write cycle is defined when LOW.
A_D	P1	I	Host interface Address/Data control for parallel mode. The data bus contains an address when HIGH, a data word when LOW. In serial mode, this pin serves as the chip select (active low).
Y_OUT[9:0]	A20, B20, C20, C19, D20, D19, D18, E20, E19, E18	O	Output data bus for separate luminance or multiplexed luminance and colour difference video data.
C_OUT[9:0]	H20, J20, J19, J18, K20, K19, K18, L18, L19, L20	O	Output data bus for colour difference video data.
FIL_SEL[3:0]	M19, M20, N19, N20	O	Filter selection control bus output to the GF9330. The FIL_SEL[3:0] bus is used to switch the GF9330's internal directional filters on a pixel by pixel basis.
H_OUT	P20	O	Output control signal. H_OUT is a horizontal blanking output.
F_OUT	T20	O	Output control signal. F_OUT is an ODD/EVEN field indicator.
V_OUT	R20	O	Output control signal. V_OUT is a vertical blanking output.
S1_CLK	Y10	O	SDRAM bank 1 clock.
$\overline{S1_CS}$	Y5	O	Active low SDRAM chip select for Field Buffer 1.
$\overline{S1_RAS}$	W4	O	Active low SDRAM row address strobe for Field Buffer 1.
$\overline{S1_CAS}$	W5	O	Active low SDRAM column address strobe for Field Buffer 1.
$\overline{S1_WE}$	Y4	O	Active low SDRAM write enable for Field Buffer 1.
S1_ADDR[13:0]	Y6, W6, V6, Y7, W7, V7, Y8, W8, V8, Y9, W9, V9, W10, V10	O	SDRAM address for Field Buffer 1.
S1_DAT[15:0]	V11, W11, Y11, V12, W12, Y12, V13, W13, Y13, V14, W14, Y14, V15, W15, Y15, Y16	I/O	SDRAM data for Field Buffer 1.
S2_CLK	A9	O	SDRAM bank 2 clock.
$\overline{S2_CS}$	A14	O	Active low SDRAM chip select for Field Buffer 2.
$\overline{S2_RAS}$	B15	O	Active low SDRAM row address strobe for Field Buffer 2.
$\overline{S2_CAS}$	B14	O	Active low SDRAM column address strobe for Field Buffer 2.
$\overline{S2_WE}$	A15	O	Active low SDRAM write enable for Field Buffer 2.
S2_ADDR[13:0]	A13, B13, C13, A12, B12, C12, A11, B11, C11, C10, B10, A10, C9, B9	O	SDRAM address for Field Buffer 2.
S2_DAT[15:0]	C8, B8, A8, C7, B7, A7, C6, B6, A6, C5, B5, A5, B4, A4, B3, A3	I/O	SDRAM data for Field Buffer 2.
TDI	U3	I	JTAG data input; connect to GND if not used.
TMS	U2	I	JTAG mode select; connect to GND if not used.

**Table 1-1: Pin Descriptions (Continued)**

Symbol	Pin Grid	Type	Description
TCLK	U1	I	JTAG test clock; connect to GND if not used.
TDO	W1	O	JTAG data output.
VDD_CLKD	F5	NA	2.5 V supply for the internal clock doubler.
VSS_CLKD	G5	NA	Ground connection for the internal clock doubler.
VDD_IO	E7, E10, E15, F7, F15, J5, J16, M16, N5, R7, R15 T7 T10, T15	NA	3.3 V supply.
VDD_INT	E6, E12, F6, F16, G6, G16, L5, P16, R6, R16, T6, T12	NA	2.5 V supply.
GND / TGND	E5, E9, E11, E14, E16, F14, G15, H4, H5, H6, H16, J1, J9, J10, J11, J12, K5, K9, K10, K11, K12, K16, L9, L10, L11, L12, L16, M5, M9, M10, M11, M12, N16, P5, P6, P15, T5, T9, T11, T14, T16, U4, U18, U19, U20, V1, V2	NA	Device ground / Thermal ground (electrically equivalent).
NC	A2, A16, A17, A18, A19, B2, B16, B17, B18, B19, C4, C14, C15, C16, C17, C18, D4, D5, D6, D7, D8, D9, D10, D11, D12, D13, D14, D15, D16, D17, E8, E13, E17, F2, F4, F17, F18, F19, F20, G17, G18, G19, G20, H17, H18, H19, J2, J17, K17, L17, M3, M4, M17, M18, N17, N18, P4, P17, P18, P19, R5, R17, R18, R19, T8, T13, T17, T18, T19, U5, U6, U7, U8, U9, U10, U11, U12, U13, U14, U15, U16, U16, U17, V3, V4, V5, V16, V17, V18, V19, V20, W2, W3, W16, W17, W18, W19, W20, Y1, Y2, Y3, Y17, Y18, Y19, Y20	NA	No connection.



2. Electrical Characteristics

2.1 5V Tolerant Inputs

Input cells used in the design are able to withstand 3.3V or 5V CMOS input signals, as well as TTL compatible inputs without degrading performance or long-term reliability.

2.2 ESD Tolerance

The GF9331 has 2kV ESD protection. ESD testing is done in accordance with Gennum's standard ESD testing procedure.

2.3 3.3V Supply for Device I/O and 2.5V for Core Logic

The GF9331 operates from a single +3.3V supply for device I/O and a single +2.5V supply for core logic.

Table 2-1: Absolute Maximum Ratings

Parameter	Symbol	Value
Device I/O Supply Voltage	V_{DDIO}	-0.5 to TBD V
Device Core Supply Voltage	V_{DDCORE}	-0.5 to TBD V
Input Voltage Range (any input)	V_{IN}	$-0.5 < V_{IN} < +4.6V$
Operating Temperature Range	T_A	$0^{\circ}C < T_A < 70^{\circ}C$
Storage Temperature Range	T_S	$-40^{\circ}C < T_S < 125^{\circ}C$
Lead Temperature (soldering 10 seconds)		260°C

Table 2-2: DC Electrical Characteristics

$V_{DDIO} = 3.0$ to $3.6V$, $V_{DDCORE} = 2.25$ to $2.75V$, $T_A = 0$ to $70^{\circ}C$, unless otherwise shown.							
Parameter	Conditions	Symbol	Min	Typ	Max	Units	Notes
Device I/O Supply Voltage		V_{DDIO}	+3.0	+3.3	+3.6	V	a
Device Core Supply Voltage		V_{DDCORE}	+2.25	+2.5	+2.75	V	a
Device I/O Supply Current	$V_{DDIO}=3.3V$	I_{DDIO}	-	43	-	mA	a
Device Core Supply Current	$V_{DDCORE}=2.5V$	I_{DDCORE}	-	456	-	mA	a
Input Leakage Current	$I_{IN}=0V$ or $I_{IN}=V_{DD}$	I_{LEAK}	-	-	10	μA	a

**Table 2-2: DC Electrical Characteristics (Continued)**

V_{DDIO} = 3.0 to 3.6V, V_{DDCORE} = 2.25 to 2.75V, T_A = 0 to 70°C, unless otherwise shown.							
Parameter	Conditions	Symbol	Min	Typ	Max	Units	Notes
Tristate Leakage Current		I _{TRILEAK}	-	-	10	μA	a
Input Logic LOW Voltage		V _{IL}	-	-	0.8	V	a
Input Logic HIGH Voltage		V _{IH}	2.1	-	-	V	a
Output Logic LOW Voltage	I _{OL} = 4mA	V _{OL}	-	0.2	0.4	V	a
Output Logic HIGH Voltage	I _{OH} = -4mA	V _{OH}	2.7	-	-	V	a

a. Production, test and QA are performed at room temperature.

Table 2-3: AC Electrical Characteristics - SDRAM Interfaces

The SDRAM 1 Interface signals include S1_CLK, S1_CS, S1_RAS, S1_CAS, S1_WE, S1_ADDR[13:0] and S1_DAT[15:0]. The SDRAM 2 Interface signals include S2_CLK, S2_CS, S2_RAS, S2_CAS, S2_WE, S2_ADDR[13:0] and S2_DAT[15:0].

V_{DDIO} = 3.0 to 3.6V, V_{DDCORE} = 2.25 to 2.75V, T_A = 0 to 70°C, unless otherwise shown.

Parameter	Conditions	Symbol	Min	Typ	Max	Units	Notes
Clock Input Frequency		F _{HSCI_SD}	-	85	90	MHz	a
Input Data Setup Time		t _{SU_SD}	2.0	-	-	ns	a, b
Input Data Hold Time		t _{IH_SD}	2.5	-	-	ns	a, b
Input Clock Duty Cycle			40	-	60	%	a
Output Data Delay Time	V _{DDIO} =3.6V, C _L =15pF load	t _{OD_SD}	-	-	9.1	ns	a
Output Data Hold Time	V _{DDIO} =3.6V, C _L =15pF load	t _{OH_SD}	2.0	-	-	ns	a
Output Enable Time	V _{DDIO} =3.6V, C _L =15pF load	t _{OEN_SD}	-	-	20	ns	a, c
Output Disable Time	V _{DDIO} =3.6V, C _L =15pF load	t _{ODIS_SD}	-	-	20	ns	a, c
Output Data Rise/Fall Time	V _{DDIO} =3.6V, C _L =15pF load	t _{ODRF_SD}	-	-	2.0	ns	a, d

a. Based on simulation results, verified during device characterization process.

b. 50% levels.

c. Two clock cycles allocated for data bus turnaround.

d. 20% to 80% levels.

**Table 2-4: AC Electrical Characteristics - Host Interfaces**

The Host Interface signals include **HOST_EN**, **SER_MD**, **CS**, **DAT_IO[7:0]**, **R_W** and **A_D**.
V_{DDIO} = 3.0 to 3.6V, **V_{DDCORE} = 2.25 to 2.75V**, **T_A = 0 to 70°C**, unless otherwise shown.

Parameter	Conditions	Symbol	Min	Typ	Max	Units	Notes
Clock Input Frequency		F _{HSCI_HI}	-	-	20	MHz	a
Input Data Setup Time		t _{SU_HI}	5	-	-	ns	a, b
Input Data Hold Time		t _{IH_HI}	1.5	-	-	ns	a, b
Input Clock Duty Cycle			40	-	60	%	a
Output Data Delay Time	V _{DDIO} =3.6V, C _L =15pF load	t _{OD_HI}	-	-	10.0	ns	a
Output Data Hold Time	V _{DDIO} =3.6V, C _L =15pF load	t _{OH_HI}	2.0	-	-	ns	a
Output Enable Time	V _{DDIO} =3.6V, C _L =15pF load	t _{OEN_HI}	-	-	15	ns	a
Output Disable Time	V _{DDIO} =3.6V, C _L =15pF load	t _{ODIS_HI}	-	-	15	ns	a
Output Data Rise/Fall Time	V _{DDIO} =3.6V, C _L =15pF load	t _{ODRF_HI}	-	-	2.0	ns	a, c

a. Based on simulation results, verified during device characterization process.

b. 50% levels.

c. 20% to 80% levels.



3. Detailed Device Description

3.1 Input Data Formats

The GF9331 supports multiple input data formats with multiplexed or separate Y/C channels. Data is supplied to the GF9331 through the Y_IN[9:0] and the C_IN[9:0] busses. [Table 3-1: Encoding of STD\[4:0\] for Selecting Input Data Format](#) outlines the data formats that the GF9331 supports according to the setting of STD[4:0] pins or host interface bits, STD[4:0].

NOTE: For all progressive video standards the GF9331 must be manually set to bypass mode (MODE=0, pin or register). See [Host Interface](#) for host interface details.

Table 3-1: Encoding of STD[4:0] for Selecting Input Data Format

STD	STD[4:0]	Description
0	00000	525i (30/1.001) component SMPTE 125M. Multiplexed YCbCr data applied to Y_IN. C_IN should be set LOW. NOTE: Input clock is 27MHz.
1	00001	Reserved
2	00010	525i (30/1.001) component 16x9 SMPTE 267M. Multiplexed YCbCr data applied to Y_IN. C_IN should be set LOW. NOTE: Input clock is 36MHz.
3	00011	Reserved
4	00100	625i (25Hz) component EBU tech. 3267E. Multiplexed YCbCr data applied to Y_IN. C_IN should be set LOW. NOTE: Input clock is 27MHz.
5	00101	Reserved
6	00110	625i (25Hz) component 16x9 ITU-R BT.601-5 Part B. Multiplexed YCbCr data applied to Y_IN. C_IN should be set LOW. NOTE: Input clock is 36MHz.
7	00111	Reserved
8	01000	525p (60/1.001Hz) SMPTE 293M. YCbCr data stream applied to Y_IN. C_IN should be set LOW. Timing information is extracted from embedded TRS sequences. NOTE: Input clock is 54MHz.
9	01001	Reserved
10	01010	Reserved
11	01011	Reserved
12	01100	625p (50Hz) ITU-R BT.1358. YCbCr data stream applied to Y_IN. C_IN should be set LOW. Timing information is extracted from embedded TRS sequences. NOTE: Input clock is 54MHz.

**Table 3-1: Encoding of STD[4:0] for Selecting Input Data Format (Continued)**

STD	STD[4:0]	Description
13	01101	625p (50Hz) 16 x 9 with 18MHz sampling. YCbCr data stream applied to Y_IN. C_IN should be set LOW. Timing information is extracted from embedded TRS sequences. NOTE: Input clock is 72MHz.
14	01110	Generic SD input data format with 4:1:1 sampling. YCbCr data is applied to both Y_IN and C_IN. The externally supplied F, V and H signals are used to synchronize the input data stream. NOTE: Input clock is 27MHz.
15	01111	Generic SD input data format with 4:2:2 sampling and single multiplexed YCbCr input format. YCbCr data applied to Y_IN. C_IN should be set LOW. The externally supplied F, V and H signals are used to synchronize the input data stream. NOTE: Input clock is 27 or 36MHz.
16	10000	720p (60 & 60/1.001Hz) SMPTE 296M-2001. Y Data applied to Y_IN. Cb Cr data applied to C_IN. NOTE: Input clock is 74.25MHz or 74.25/1.001MHz.
17	10001	720p (30 & 30/1.001Hz) SMPTE 296M-2001. Y Data applied to Y_IN. Cb Cr data applied to C_IN. NOTE: Input clock is 74.25MHz or 74.25/1.001MHz.
18	10010	1080p (30 & 30/1.001Hz) SMPTE 274M. Y data applied to Y_IN. Cb Cr data applied to C_IN. NOTE: Input clock is 74.25MHz or 74.25/1.001MHz.
19	10011	720p (50Hz) SMPTE 296M-2001. Y Data applied to Y_IN. Cb Cr data applied to C_IN. NOTE: Input clock is 74.25MHz.
20	10100	1080p (25Hz) SMPTE 274M. Y data applied to Y_IN. Cb Cr data applied to C_IN. NOTE: Input clock is 74.25MHz.
21	10101	720p (25Hz) SMPTE 296M-2001. Y Data applied to Y_IN. Cb Cr data applied to C_IN. NOTE: Input clock is 74.25MHz.
22	10110	1080p (24 & 24/1.001Hz) SMPTE 274M. Y data applied to Y_IN. Cb Cr data applied to C_IN. NOTE: Input clock is 74.25MHz or 74.25/1.001MHz.
23	10111	720p (24 & 24/1.001Hz) SMPTE 296M-2001. Y Data applied to Y_IN. Cb Cr data applied to C_IN. NOTE: Input clock is 74.25MHz or 74.25/1.001MHz.
24	11000	1080i (30 & 30/1.001Hz) SMPTE 274M. Y data applied to Y_IN. Cb/Cr data applied to C_IN. NOTE: Input clock is 74.25 MHz or 74.25/1.001MHz.
25	11001	1080p (30 & 30/1.001Hz in Segmented Frame Format) SMPTE RP211-2000. Y data applied to Y_IN. Cb Cr data applied to C_IN. NOTE: Input clock is 74.25MHz or 74.25/1.001MHz.
26	11010	1080i (25Hz) SMPTE 274. Y data applied to Y_IN. Cb Cr data applied to C_IN. NOTE: Input clock is 74.25MHz.
27	11011	1080p (25Hz in Segmented Frame Format) SMPTE RP211-2000. Y data applied to Y_IN. Cb Cr data applied to C_IN. NOTE: Input clock is 74.25MHz.
28	11100	1080i (25Hz) SMPTE 295M. Y data applied to Y_IN. Cb Cr data applied to C_IN. NOTE: Input clock is 74.25MHz.

**Table 3-1: Encoding of STD[4:0] for Selecting Input Data Format (Continued)**

STD	STD[4:0]	Description
29	11101	1080p (24 & 24/1.001Hz in Segmented Frame Format) SMPTE RP211-2000. Y data applied to Y_IN. Cb Cr data applied to C_IN. NOTE: Input clock is 74.25MHz or 74.25/1.001MHz.
30	11110	1035i (30Hz) SMPTE 260M. Y data applied to Y_IN. Cb Cr data applied to C_IN. NOTE: Input clock is 74.25MHz.
31	11111	Generic HD input data format with 4:2:2 sampling and a separate Y/C format. Y Data applied to Y_IN. Cb Cr data applied to C_IN. The externally supplied F_IN, V_IN and H_IN signals are used to synchronize the input data stream. NOTE: Input clock is 74.25MHz or 74.25/1.00MHz.

3.2 Input Synchronization

The GF9331 obtains relevant timing information from either embedded TRS information or externally supplied H_IN, V_IN and F_IN signals.

When FVH_EN is set HIGH using either the host interface or the external pin, the GF9331 relies on the externally supplied H_IN, V_IN and F_IN signals for timing information. When FVH_EN is set LOW, the GF9331 extracts the embedded TRS timing information from the video data stream and ignores any timing information present of the F_IN, V_IN and H_IN pins.

3.2.1 Support for Both 8-bit and 10-bit Input Data

The GF9331 supports 8-bit and 10-bit input data. When operating with 8-bit input data, the two LSBs of the GF9331's 10-bit input bus should be set LOW and the input data applied to the 8 MSBs of the input bus.

3.2.2 Generic Input Format Signalling

The GF9331 supports generic input data formats with either 4:1:1 or 4:2:2 sampling structures that require up to 2046 active samples per line and have maximum total line width of 4096 (active + blanking) samples. In addition, there is a limit of 2048 lines per interlaced frame. The following host interface parameters are programmable to describe the generic input data format relative to the F_IN, V_IN and H_IN signals. See [Figure 3-1: Generic Input Format Definition](#).

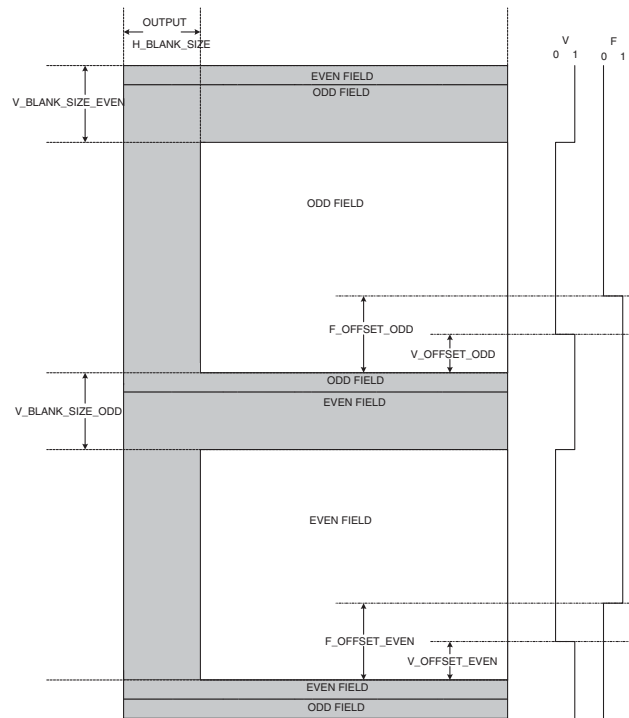


Figure 3-1: Generic Input Format Definition

3.2.2.1 H_BLANK_SIZE

This parameter defines the number of samples that comprise the horizontal blanking region. This parameter has a maximum value of 4095 and is to be less than the total line width (active + blanking) sample size. Twelve bits within the host interface are dedicated to this parameter. The GF9331 stores and processes active video samples only (i.e. H_IN =0).

3.2.2.2 V_BLANK_SIZE_ODD

This parameter defines the number of lines that comprise the vertical blanking interval that follows the odd field. This parameter has a maximum value of 255. Eight bits within the host interface are dedicated to this parameter. The GF9331 stores and processes active video samples only (i.e. V_IN =0). See [Figure 3-1: Generic Input Format Definition](#).

3.2.2.3 V_BLANK_SIZE_EVEN

This parameter defines the number of lines that comprise the vertical blanking interval that follows the even field. This parameter has a maximum value of 255. Eight bits within the host interface are dedicated to this parameter. The GF9331 stores and processes active video samples only (i.e. V_IN =0). See [Figure 3-1: Generic Input Format Definition](#).



3.2.2.4 V_OFFSET_ODD

This parameter defines the number of lines from the V_IN pin EAV transition to the end of the odd active video field region. This parameter has a maximum value of 255. Eight bits within the host interface are dedicated to this parameter. This parameter has been added to accommodate all video decoders which output non-standard timing for the V_IN signal. See [Figure 3-2: V_Offset Definition](#).

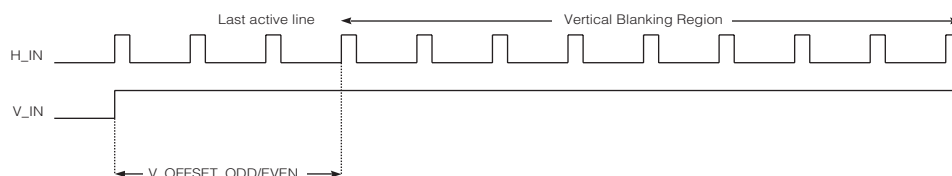


Figure 3-2: V_Offset Definition

3.2.2.5 V_OFFSET_EVEN

This parameter defines the number of lines from the V_IN pin EAV transition to the end of the even active video field region. This parameter has a maximum value of 255. Eight bits within the host interface are dedicated to this parameter. This parameter has been added to accommodate all video decoders which output non-standard timing for the V_IN signal. See [Figure 3-2: V_Offset Definition](#).

3.2.2.6 F_OFFSET_ODD

This parameter defines the number of lines from the F_IN pin EAV transition to the vertical blanking interval following the odd field. This parameter has a maximum value of 255. Eight bits within the host interface are dedicated to this parameter. This parameter has been added to accommodate all video decoders which output non-standard timing for the F_IN signal. See [Figure 3-1: Generic Input Format Definition](#).

3.2.2.7 F_OFFSET_EVEN

This parameter defines the number of lines from the F_IN pin EAV transition to the vertical blanking interval following the even field. This parameter has a maximum value of 255. Eight bits within the host interface are dedicated to this parameter. This parameter has been added to accommodate all video decoders which output non-standard timing for the F_IN signal. See [Figure 3-1: Generic Input Format Definition](#).

3.2.2.8 H_POLARITY

This parameter defines the polarity of the H_IN pin. With H_POLARITY set LOW, a falling transition on the H_IN pin indicates the end of active video. With H_POLARITY set HIGH, a rising transition on the H_IN pin indicates the end of active video. One bit within the host interface is dedicated to this parameter.



3.2.2.9 F_POLARITY

This parameter defines the polarity of the F_IN pin. Refer to [Table 3-2: F_POLARITY](#) for F_POLARITY encoding. One bit within the host interface is dedicated to this parameter.

Table 3-2: F_POLARITY

F_POLARITY Register	F_IN Pin	F_IN Pin Function
0	0	Even Field
0	1	Odd Field
1	0	Odd Field
1	1	Even Field

3.2.2.10 V_POLARITY

This parameter defines the polarity of the V_IN pin. With V_POLARITY set LOW, a falling transition on the V_IN pin indicates the end of active video. With V_POLARITY set HIGH, a rising transition on the V_IN pin indicates the end of active video. One bit within the host interface is dedicated to this parameter.

3.3 Seamless Interface to the GF9330 High Performance De-Interlacer for Directional Filter Control

The GF9330 can operate as a stand-alone de-interlacer or can operate in conjunction with the GF9331 Motion Co-processor. The GF9331 contains adaptive multi-directional edge detectors, as well as a vertical motion detector. Edge sensitive control signals are fed directly to the GF9330. These control signals adaptively switch the GF9330's internal de-interlacing filters on a pixel by pixel basis. These control signals are fed to the GF9330 by the GF9331 over the FIL_SEL[3:0] control bus.

NOTE: The Y_OUT[9:0] pins of the GF9331 must be connected to the Y_IN[9:0] pins of the GF9330. The C_OUT[9:0] pins of the GF9331 must be connected to the C_IN[9:0] pins of the GF9330. The F_OUT, V_OUT and H_OUT pins of the GF9331 must be connected to the F_IN, V_IN and H_IN pins of the GF9330. The FIL_SEL[3:0] output of the GF9331 must be connected to the FIL_SEL[3:0] input of the GF9330. Refer to [Figure 3-3: Using the GF9331 with the GF9330 for Motion Adaptive De-interlacing with edge and vertical motion detection](#) for a pictorial description of connections between the GF9330 and the GF9331.

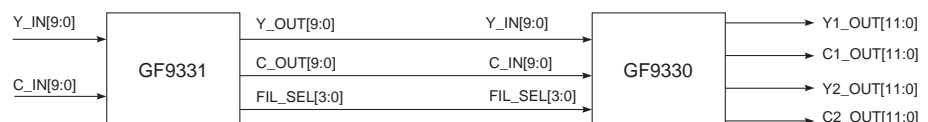


Figure 3-3: Using the GF9331 with the GF9330 for Motion Adaptive De-interlacing with edge and vertical motion detection



3.4 Seamless Interface to External SDRAMs

The GF9331 requires two independent external field buffers, each implemented with a 1Mx16-bit (min) SDRAM configuration. This configuration supports all operational modes.

Table 3-3: SDRAM Configuration

Format	Bypass	Configuration per Bank ^a	Total of ADDR and BANK ^b	SDRAM properties (per bank)			Recommended
				Min. Freq. (MHz)	Min. Access Time (ns)	CAS Latency	
SD	Yes	1(1Mx16)	12	90	5.5	3	Micron: MT48LC4M16A2, MT48LC8M16A2
	No	1(1Mx16)	12	90	5.5	3	
HD	Yes	1(1Mx16)	12	90	5.5	3	
	No	1(1Mx16)	12	90	5.5	3	

a. There are 2.

b. This is assuming a 8-column structure.

3.5 Host Interface

The GF9331 provides both serial and parallel host interface control ports for the configuration of internal parameters. The GF9331 is also able to operate in stand-alone mode, with no host interface control. In stand-alone mode, the video standard STD[4:0] and mode of operation MODE (pins or registers, depending on the HOST_EN state). These values are loaded into the device on a falling transition of HOST_EN or after setting RESET LOW.

Both the serial and parallel interfaces share common pins as described in [Table 3-4: Host Interface Common Pins](#).

Table 3-4: Host Interface Common Pins

GF9331 Pin Name	Parallel Mode	Serial Mode
$\overline{\text{CS}}$	CHIP select	SCLK - Serial Clock
DAT_IO[0]	Data/address (bit 0)	SDI - Serial data in
DAT_IO[1]	Data/address (bit 1)	(not used)
DAT_IO[2]	Data/address (bit 2)	(not used)
DAT_IO[3]	Data/address (bit 3)	(not used)
DAT_IO[4]	Data/address (bit 4)	(not used)
DAT_IO[5]	Data/address (bit 5)	(not used)
DAT_IO[6]	Data/address (bit 6)	(not used)



Table 3-4: Host Interface Common Pins (Continued)

GF9331 Pin Name	Parallel Mode	Serial Mode
DAT_IO[7]	Data/address (bit 7)	SDO - Serial data out
A_D	Address/data select	$\overline{\text{SCS}}$ - Serial chip select
R_W	Read/write select	(not used)
HOST_EN	Host Interface enable	Host Interface enable
SER_MD	LOW = Parallel mode enable	HIGH = Serial mode enable

3.5.1 Host Interface Serial Mode

The Gennum Serial Peripheral Interface (GSPI) is a 4 wire interface comprised of serial data in (SDI), serial data out (SDO), an active low serial chip select ($\overline{\text{SCS}}$), and a clock (SCLK). The interface operates in a master/slave configuration, where the master provides the SCLK, SDI, and $\overline{\text{SCS}}$ signals to the slave or slaves. The master uC_SDO drives the slave(s) SDI input. The SDO pin is a tristate output that allows multiple devices to drive the master uC_SDI. Serial mode operation supports both continuous and burst clock configurations. The interface is illustrated in [Figure 3-4: Host Interface Serial Mode](#).

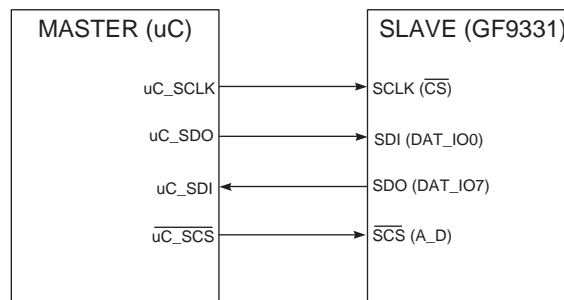


Figure 3-4: Host Interface Serial Mode

3.5.1.1 Serial Command Word Description

The command word consists of a 16-bit word transmitted MSB first and contains a read/write bit, an Auto-Configure control bit, nine reserved bits and a 5-bit address as shown in [Figure 3-5: Serial Command Word Bit Representation](#).



Figure 3-5: Serial Command Word Bit Representation

The R/W bit indicates a Read command if R/W = '1', and a write command when R/W = '0'.



3.5.1.2 Auto-Configure

The auto-configure feature will be executed when the Auto-Configure control bit is set (used during write operations only). All Auto-Configure registers will be updated to their appropriate settings based on the current video standard and operational mode.

When setting the Auto-Configure bit, the command word should be set with only the AC register bit set to '1'. All of the remaining 15 register bits should be set to '0'. To complete the Auto-Configuration 16 more data bits must be loaded into the device. The state of these bits can be either HIGH or LOW. Before Auto-Configuring the device, the standard and mode must be set using either the host interface (HOST_EN = HIGH) or the external pins (with a falling transition of HOST_EN).

This simplifies configuration while allowing customization of many features and format parameters.

3.5.1.3 Serial Data Word Description

The serial data word consists of a 16-bit word as shown in [Figure 3-6: Serial Data Word Bit Representation](#). Serial data is transmitted or received MSB first.



Figure 3-6: Serial Data Word Bit Representation

Both command and data words are clocked into the GF9331 on the rising edge of the serial clock (SCLK), which may operate in either a continuous or burst fashion. The first bit (MSB) of the serial output (SDO) is available following the last falling SCLK edge of the "read" command word. The remaining bits are clocked out on the falling edges of SCLK.



3.5.1.4 Serial Write Operation

All write cycles consist of a command word followed by a data word, both transmitted to the GF9331 via SDI. The first 16-bit word transmitted following a falling transition of \overline{SCS} is a command word. Several write cycles may be performed while \overline{SCS} is LOW. See [Figure 3-7: Write Cycle](#).

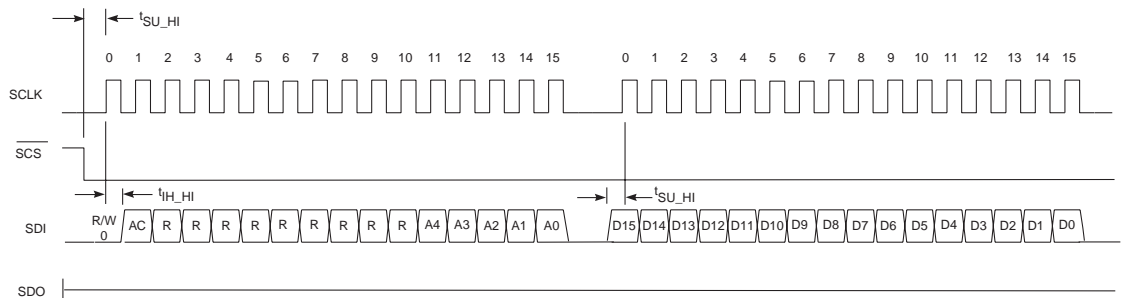


Figure 3-7: Write Cycle

3.5.1.5 Serial Read Operation

All read cycles consist of a command word transmitted to the GF9331 via SDI followed by a data word transmitted from the GF9331 via SDO. The first 16-bit word transmitted following a falling transition of \overline{SCS} is a command word. Several read cycles may be performed while \overline{SCS} is LOW. See [Figure 3-8: Read Cycle](#).

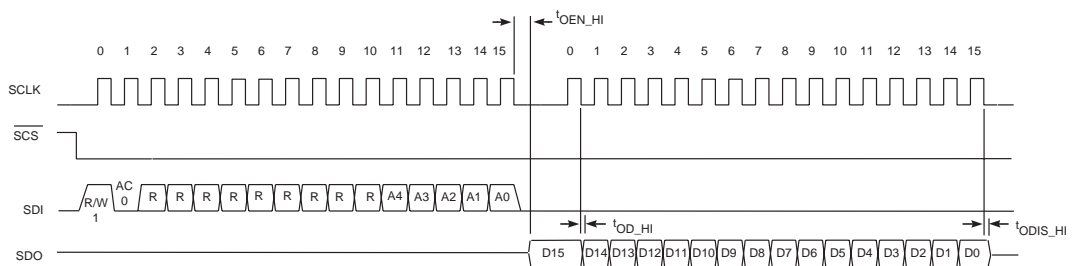


Figure 3-8: Read Cycle



3.5.2 Host Interface Parallel Mode

The Gennum Parallel Peripheral Interface (GPPI) consists of an 8-bit multiplexed address/data bus (DATA_IO[7:0]), a chip select pin (\overline{CS}), a read/write pin (R_W), and an address/data pin (A_D) as shown in [Figure 3-9: Host Interface Parallel Mode](#).

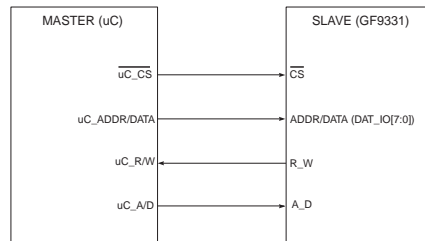


Figure 3-9: Host Interface Parallel Mode

Data is strobed in/out of the parallel interface on the falling edge of \overline{CS} . The GF9331 drives the DAT_IO[7:0] bus when the R_W pin is HIGH and the \overline{CS} pin is LOW, otherwise this port is in a high impedance state.

3.5.2.1 Parallel Address Word Description

The 8-bit address word loads in the address to be accessed and allows the Auto-Configure bit to be set. The MSB is the Auto-Configure bit, followed by two reserved bits and a 5-bit address as shown in [Figure 3-10: Parallel Address Word Bit Representation](#).

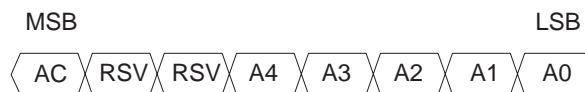


Figure 3-10: Parallel Address Word Bit Representation



3.5.2.2 Parallel Write Operation

A write cycle to the parallel interface is shown in [Figure 3-11: Write Cycle to the Parallel Interface](#). First an 8-bit address word is provided to the DAT_IO port by setting the R_W pin to LOW and A_D pin to HIGH. The MSB of the address word contains an auto-update flag, which allows automatic configuration of predefined registers (used during write operations only).

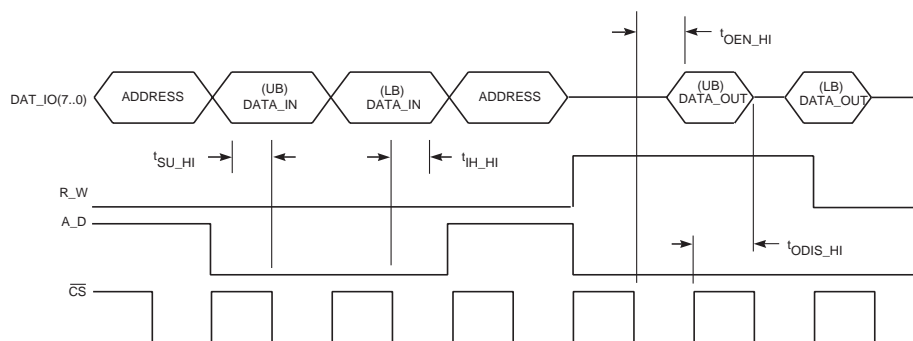


Figure 3-11: Write Cycle to the Parallel Interface

The 5 LSB's of the address word contain the address location for the read or write operation. The remaining address word bits DAT_IO[6:5] are reserved. The address word is registered on the falling edge of \overline{CS} .

Following this, the A_D pin is driven LOW and two data words are sent upper byte (UB) word first and are each clocked in on the falling edge of \overline{CS} . Two 8-bit data words must follow each address word to occupy each 16-bit parameter which are defined in [Figure 3-12: Host Interface Register Allocation](#).

3.5.2.3 Parallel Read Operation

A read cycle begins with an address write by setting the R_W pin LOW and A_D HIGH. The address is clocked on the falling edge of \overline{CS} . Following the address, the R_W pin must be driven HIGH and A_D driven LOW to allow the upper byte of data to be clocked out on the first falling edge of \overline{CS} followed by the lower byte on the second falling edge of \overline{CS} .



Hex	Bit 15	Bit 14	Bit 13	Bit 12	Bit 11	Bit 10	Bit 9	Bit 8	Bit 7	Bit 6	Bit 5	Bit 4	Bit 3	Bit 2	Bit 1	Bit 0
Address 31	CMD_RESET															
Address 30	IF															
Address 29	ID															
Address 28	ID															
Address 27	ID															
Address 26	ID															
Address 25	ID															
Address 24	ID															
Address 23	ID															
Address 22	ID															
Address 21	ID															
Address 20	ID															
Address 19	ID															
Address 18	ID															
Address 17	ID															
Address 16	ID															
Address 15	ID															
Address 14	ID															
Address 13	ID															
Address 12	ID															
Address 11	ID															
Address 10	ID															
Address 9	ID															
Address 8	ID															
Address 7	ID															
Address 6	ID															
Address 5	ID															
Address 4	ID															
Address 3	ID															
Address 2	ID															
Address 1	ID															
Address 0	ID															

Figure 3-12: Host Interface Register Allocation



3.5.3 Control Register Definitions

The host interface internal registers are divided into two classes: User Configurable (UC) and Auto-Configurable (AC). Address locations 0 through 6 contain parameters which may be configured by the user.

Locations 7 through 31 are automatically configured based on the STD[4:0] and MODE registers, but can be user configured if desired.

Table 3-5: Control Register Definitions

Address	Bit Location	Register Name	Class	Description	Default
0	4:0	STD[4:0]	UC	Defines the video standard as described in Input Data Formats .	00000
	5	MODE	UC	Enables (MODE=1) or bypasses (MODE=0) the GF9331 processing.	0
1	0	VM_CTL	UC	Enables (VM_CTL=1) or bypass (VM_CTL=0) vertical motion detection.	0
	1	EDGE_CTL	UC	Enables (EDGE_CTL=1) or bypasses (EDGE_CTL=0) edge detection.	0
	6	CC_BLANK_EN	UC	Enables (CC_BLANK_EN=1) or bypasses (CC_BLANK_EN=0) blanking in the close captioned video region.	0
	12	FVH_EN	UC	Enables the GF9331 to use external F_IN, V_IN, H_IN controls (FVH_EN=1) in place of embedded TRS (FVH_EN=0).	0
	13	F_POLARITY	UC	When set to '1', F_IN follows normal convention where F_IN is '0' for field 1 (odd) and '1' for field 2 (even).	1
	14	V_POLARITY	UC	Defines the polarity of the V_IN pin. When set to '1', V_IN follows normal convention where V_IN is HIGH in the vertical blanking region.	1
	15	H_POLARITY	UC	Defines the polarity of the H_IN pin. When set to '1', H_IN follows normal convention where H_IN is HIGH in the horizontal blanking region.	1
2	7:0	F_OFFSET_EVEN[7:0]	UC	Defines the number of lines from the F_IN pin EAV transition to the vertical blanking interval following the even field. This parameter has a maximum value of 255.	00000000
	15:8	F_OFFSET_ODD[7:0]	UC	Defines the number of lines from the F_IN pin EAV transition to the vertical blanking interval following the odd field. This parameter has a maximum value of 255.	00000000
3	7:0	V_OFFSET_EVEN[7:0]	UC	Defines the number of lines from the V_IN pin EAV transition to the end of the even active video field region. This parameter has a maximum value of 255.	00000000
	15:8	V_OFFSET_ODD[7:0]	UC	Defines the number of lines from the V_IN pin EAV transition to the end of the odd active video field region. This parameter has a maximum value of 255.	00000000



Table 3-5: Control Register Definitions (Continued)

Address	Bit Location	Register Name	Class	Description	Default
6	7:0	CC_BLANK_END_LINE [7:0]	UC	Defines the last line number at which closed captioned blanking ends. For this parameter, line 0 is defined as the first active line of the field/frame.	00000000
	15:8	CC_BLANK_START_LINE [7:0]	UC	Defines the first line number at which closed captioned blanking starts. For this parameter, line 0 is defined as the first active line of the field/frame.	00000000
19	7:0	V_BLANK_SIZE_EVEN [7:0]	AC	Defines the number of lines that comprise the vertical blanking interval that follows the even input field. This parameter has a maximum value of 255.	Auto
	15:8	V_BLANK_SIZE_ODD[7:0]	AC	Defines the number of lines that comprise the vertical blanking interval that follows the odd input field. This parameter has a maximum value of 255.	Auto
21	12	FORMAT_SD	AC	Used to configure the GF9331 SDRAM controller into 8-bit mode for SD video formats. This bit is auto-configured based on the standard and mode selection.	Auto
	13	PROGRESSIVE_INPUT	AC	Configures the GF9331 to accept a progressive video format. This bit is auto-configured based on the standard and mode selection.	Auto
	15:14	ID_MODE[1:0]	AC	Defines the type of video sequence for input video de-multiplexing. When set to "00" the input represents a 4:2:2 sequence, "01" represents a 4:1:1 sequence, and "10" represents an HD format. This word can be auto-configured based on the video standard and mode.	Auto
22	11:0	H_BLANK_SIZE[11:0]	AC	Defines the number of horizontal blanked input words per line that corresponds to 2 times the number of blanking pixels per line for 4:2:2 SD modes and is equal to the number of pixels per line for HD formats (maximum 4095). This value can be auto-configured.	Auto
	13	FIELD2_HAS_TOP_LINE	AC	Set HIGH when field 2, line one is the first line in the video frame (SMPTE 260M).	Auto
	15:14	EVEN_LINES_PER_FRAME[1:0]	AC	Set to 11 for video standards that have an even number of lines per frame such as SMPTE 295M, otherwise set to 00.	Auto
23	9:0	NO_LINE_DELAYS[9:0]	AC	Defines the number of line delays to implement within the external field delay. This value is auto-configured based on the standard and mode. The calculation is: $\text{NO_LINE_DELAYS} = (\text{Number of lines per frame} - 3)/2$	Auto
30	0	EXT_MEMCLK_SEL	AC	Controls the selection of the SDRAM clock source. For VCLK_IN frequencies less than 36MHz, the internal clock doubler can be used. In all other modes an external source is required (MEMCLK_IN).	Auto
	2	CLK_X1_SEL	AC	This parameter is normally set for all HD modes and is '0' for all other cases.	Auto

**Table 3-5: Control Register Definitions (Continued)**

Address	Bit Location	Register Name	Class	Description	Default
31	15	CMD_RESET	UC	This parameter forces the GF9331 to enter a reset state. The reset remains in effect until this parameter is cleared with a subsequent command.	0
	15	START_OPERATION	UC	If using external F_IN, V_IN and H_IN signals, this parameter must be set following the completion of programming the F_IN, V_IN and H_IN offsets.	0

3.6 Closed Captioning

The GF9331 provides a blanking function for selected input video lines. Consecutive lines within each input field are blanked, when this function is enabled, beginning with the CC_BLANK_START_LINE register and ending with the CC_BLANK_END_LINE register. The blanking is applied prior to any processing of the video data.

The blanking function is enabled with the CC_BLANK_EN bit. BLANK_START_LINE and BLANK_END_LINE are each allocated 8-bits within the host interface.

3.7 RESET

The $\overline{\text{RESET}}$ pin is an active low pin which will reset all internal logic to its default conditions when set LOW. On power up it is recommended to reset the device to ensure all internal registers are set to their default state. When applying a reset, the GF9331 will load in the STD[4:0] and MODE[2:0] settings from the external pins. If no further configuration is done, these settings will be used for the operation of the device.

3.8 Modes of Operation

The device supports enabled and disabled modes of operation. The basic operating mode for the GF9331 is selected using the MODE pin or the MODE register within the host interface. See [Table 3-6: Modes of Operation](#).

Table 3-6: Modes of Operation

Mode	Description
0	Disabled
1	Motion processing of input video signal



3.8.1 Motion Processing Mode (MODE=1)

When set to operate as a motion co-processor the GF9331 performs edge and vertical motion detection and provides optimal control of the GF9330 filters through the FIL_SEL[3:0] bus on a pixel by pixel basis.

3.8.2 Disabled Mode (MODE=0)

The GF9331 may also be set to disabled mode of operation. In the disabled mode, no motion co-processing operations are performed and the FIL_SEL[3:0] output bus is set to "0000". In this mode, the input video is still routed to the Y_OUT and C_OUT pins of the GF9330 (NOTE: Only the active portion of the input video signal is passed through the device to the GF9330, all other data will be lost from the input data stream). See [Table 3-6: Modes of Operation](#).

The video channel is maintained in bypass mode, however, no processing takes place. Therefore, field buffers are still in use and the chip must be in a known programmed state.

3.9 Processing of Input Formats

The GF9331 provides motion processing for the formats identified in [Table 3-7: Processing of Input Formats](#).

Table 3-7: Processing of Input Formats

STD[4:0]	Input Format	Motion Processing Mode	Disabled Mode
00000	525i (30/1.001) SMPTE 125M	Supported	Supported
00001	Reserved	NA	NA
00010	525i (30/1.001) SMPTE 267M - 16x9	Supported	Supported
00011	Reserved	NA	NA
00100	625i (25) EBU Tech. 3267	Supported	Supported
00101	Reserved	NA	NA
00110	625i (25) 16 x9 ITU-R BT.601 Part B	Supported	Supported
00111	Reserved	NA	NA
01000	525p (60/1.001) SMPTE 293M	NA	Supported
01001	Reserved	NA	NA
01010	Reserved	NA	NA
01011	Reserved	NA	NA
01100	625p (50) ITU-R BT-1358	NA	Supported
01101	625p (50) 16x9	NA	Supported

**Table 3-7: Processing of Input Formats (Continued)**

STD[4:0]	Input Format	Motion Processing Mode	Disabled Mode
01110	Generic SD 4:1:1	Supported	Supported
01111	Generic SD 4:2:2	Supported	Supported
10000	720p (60 & 60/1.001) SMPTE 296M-2001 (System #1 and #2)	NA	Supported
10001	720p (30 & 30/1.001) SMPTE 296M-2001 (System #4 and #5)	NA	Supported
10010	1080p (30 & 30/1.001) SMPTE 274M (System #7 and #8)	NA	Supported
10011	720p (50) SMPTE 296M-2001 (System #3)	NA	Supported
10100	1080p (25) SMPTE 274M (System #9)	NA	Supported
10101	720p (25) SMPTE 296M-2001 (System #6)	NA	Supported
10110	1080p (24 & 24/1.001) SMPTE 274M (System #10 and #11)	NA	Supported
10111	720p (24 & 24/1.001) SMPTE 296M-2001 (System #7 and #8)	NA	Supported
11000	1080i (30 & 30/1.001) SMPTE 274M (System #4 and #5)	Supported	Supported
11001	1080PsF (30 & 30/1.001) SMPTE RP211-2000 (System #12 and #13)	NA	Supported
11010	1080i (25) SMPTE 274M (System #6)	Supported	Supported
11011	1080PsF (25) SMPTE RP211-2000 (System #14)	NA	Supported
11100	1080i (25) SMPTE 295M (System #2)	Supported	Supported
11101	1080PsF (24 & 24/1.001) SMPTE RP211-2000 (System #15 & #16)	NA	Supported
11110	1035i (30 & 30/1.001) SMPTE 260M	Supported	Supported
11111	Generic HD 4:2:2	Supported	Supported



3.10 Vertical Motion Detection

The GF9331 detects objects moving in the vertical direction (e.g. rolling credits). By performing motion detection, a special vertical filter may be enabled within the GF9331 for interpolating the pixels with vertical motion, thereby reducing slow motion de-interlacing artifacts. This vertical motion detection signal is provided to the GF9330 through the control bus (FIL_SEL[3:0]).

3.10.1 Vertical Motion Feature Control

The GF9331 is able to operate in automatic or disabled mode for vertical motion detection of the video input stream. When set to operate in disabled mode (VM_MODE=0 or VM_CTL=0), the internal vertical motion detection circuitry is disabled. When set to operate in automatic mode (VM_MODE=1 or VM_CTL=1) the GF9331 internally detects vertical motion. See [Table 3-8: Vertical Motion Control](#).

Table 3-8: Vertical Motion Control

External VM_MODE Pin	Host Interface VM_CTL Bit	Description
0	0	Vertical Motion Detection Disabled
0	1	Vertical Motion Detection Enabled
1	0	
1	1	

3.11 Edge Direction Detection

In order to reduce the edge artifacts caused by the de-interlacing process, pixel gradients are analysed calculated along different edge directions. The analysis is based on several complex techniques including vertical-temporal filtering, gradient and morphological operations. Edge interpolation filters in the GF9330 are enabled based on the edge information provided by the GF9331 through the FIL_SEL[3:0] control bus.



3.11.1 Edge Direction Detection Feature Control

The GF9331 is able to operate in automatic or disabled mode for edge detection of the video input stream. When set to operate in disabled mode (ED_MODE=0 or EDGE_CTL=0), the internal edge direction detection circuitry is disabled. When set to operate in automatic mode (ED_MODE=1 or EDGE_CTL=1) the GF9331 internally detects edge directions. See [Table 3-9: Edge Detection Feature Control](#).

Table 3-9: Edge Detection Feature Control

External ED_MODE Pin	Host Interface EDGE_CTL Bit	Description
0	0	Edge Direction Detection Disabled
0	1	Edge Direction Detection Enabled
1	0	
1	1	

3.12 Video Output

The GF9331 supports all input formats defined in [Input Data Formats](#). Routing of video data to the GF9330 is done via the Y_OUT[9:0] and C_OUT[9:0] busses. Note that only the active portion of the input video signal is passed through the device to the GF9330 unchanged. All other ancillary data is discarded from the input data stream. Timing information is provided by the H_OUT, V_OUT and F_OUT pins.

3.13 Processing Latency

The GF9331 processing latency is constant at 2 lines and 16 pixels for all modes of operation (including bypass).



4. Package Dimensions

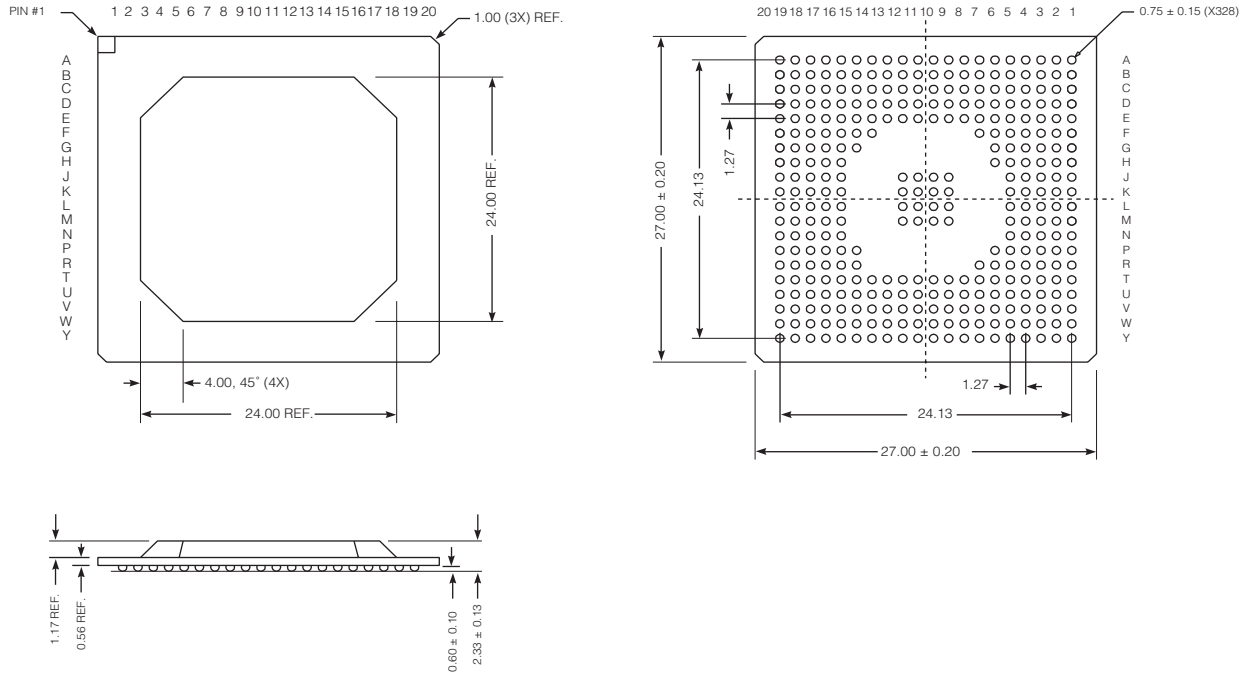


Figure 4-1: Package dimensions



5. Revision History

Version	ECR	Date	Changes and / or Modifications
4	133232	June 2004	Corrections to text for bypass mode and memories used. Changed document format.
3		October 2002	Adding row for tri-state leakage current; correcting spelling errors; adding 8-bit serial command word diagram.

CAUTION
ELECTROSTATIC
SENSITIVE DEVICES
DO NOT OPEN PACKAGES OR HANDLE
EXCEPT AT A STATIC-FREE WORKSTATION



DOCUMENT IDENTIFICATION
DATA SHEET
The product is in a development phase and specifications are subject to change without notice. Gennum reserves the right to remove the product at any time. Listing the product does not constitute an offer for sale.

GENNUM CORPORATION

Mailing Address: P.O. Box 489, Stn. A, Burlington, Ontario, Canada L7R 3Y3

Tel. +1 (905) 632-2996 Fax. +1 (905) 632-5946

Shipping Address: 970 Fraser Drive, Burlington, Ontario, Canada L7L 5P5

GENNUM JAPAN CORPORATION

Shinjuku Green Tower Building 27F, 6-14-1, Nishi Shinjuku, Shinjuku-ku,

Tokyo, 160-0023 Japan

Tel. +81 (03) 3349-5501, Fax. +81 (03) 3349-5505

GENNUM UK LIMITED

25 Long Garden Walk, Farnham, Surrey, England GU9 7HX

TEL. +44 (0)1252 747 000 FAX +44 (0)1252 726 523

Gennum Corporation assumes no responsibility for the use of any circuits described herein and makes no representations that they are free from patent infringement.

© Copyright June 2001 Gennum Corporation. All rights reserved.

Printed in Canada

www.gennum.com